



**KNEGT**<sup>®</sup>

QUALITY TRACTORS EUROPE

## PARTS CATALOG

### KNEGT 304G2 TRACTOR



[WWW.KNEGT-INTERNATIONAL.COM](http://WWW.KNEGT-INTERNATIONAL.COM)

## CONTENT

1	Air filter .....	1
2	Radiator.....	3
3	Throttle Control Mechanism.....	5
4	Clutch .....	7
5	Exhaust Pipe .....	11
6	Frame .....	13
7.1	Front Driving Axle (Middle).....	15
7.2	Front Wheel Drive Axle (Left Side-Slowdown).....	18
7.3	Front Wheel Drive Axle (Right side-Slowdown).....	22
7.4	Front Wheel Drive Axle (304.31.022-1 Assembly) .....	26
7.5	Front Wheel Drive Axle (304.31.014A Assembly) .....	28
8	Front Drive Wheel.....	30
9	Drive Wheel.....	32
10.A	Tractor Drawbar .....	34
10.B	Clevis type .....	36
11	Transmission Shaft .....	38
12.1	Gearbox(A).....	41

12.2	Gearbox(B) .....	45
12.3	Planet Mechanism System.....	50
13.1	Rear Axle(A) .....	52
13.2	Rear Axle(B) .....	54
13.3	Operation Mechanism System.....	56
13.4	Differential Lock .....	59
14	Final Transmission.....	62
15.1	Full Hydraulic Power Steering Gear .....	64
15.2	Steering System .....	68
16	PTO .....	70
17	Transfer Case.....	74
18.1	Disc Brake.....	78
18.2	Brake Operation Mechanism .....	80
19	Seat.....	84
20.1	Safety Frame .....	86
20.2	Front Safety Frame.....	88
21.1	Hood and Panel (A) .....	90
21.2	Hood and Panel (B) .....	93
22	Electrical System .....	96
23	Toolbox.....	99

24	Fuel Tank .....	101
25	Foot Mud Shields Rest .....	103
26.1	Hydraulic Power Lift Operation Mechanism System .....	107
26.2	Hydraulic Oil Distributor .....	109
26.3	Hydraulic Power Lift.....	112
27	Suspension Mechanism .....	116
28.1	Hydraulic Lifting Pipeline Assembly .....	119
28.2	Multiple Directional Control Valve Operation Mechanism .....	122
29	Front Balance Weight .....	124
30	Sunshade(Optional) .....	126

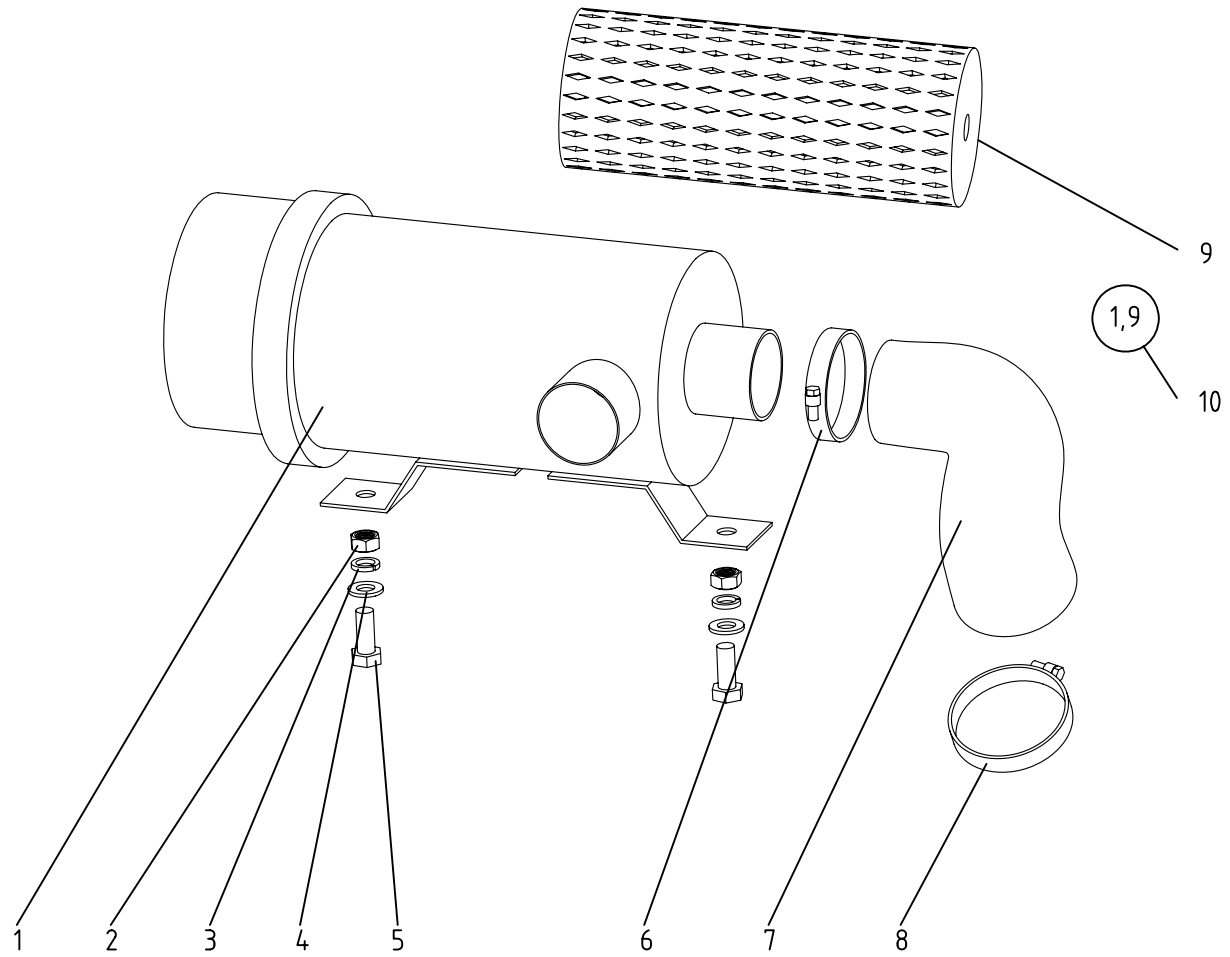
### **ENGINE**

31	Cylinder Head Cover Assembly(Fig.1) .....	128
32	Cylinder Head Assembly(Fig.2) .....	130
33	Cylinder Block and Gear Case Assembly(Fig.3) .....	133
34	Timing Gear Train(Fig.4).....	138
35	Piston and Connecting Rod Assembly(Fig.5) .....	140
36	Crankshaft and Flywheel Assembly(Fig.6) .....	142
37	Valve Timing Mechanism(Fig.7) .....	144
38	Water Pump and Fan Assembly(Fig.8).....	147
39	Oil Sump Assembly (Fig.9).....	150

40	Lubricating Oil Pump Assembly (Fig.10) .....	152
41	Fuel System (Fig.11) .....	154
42	Oil Suction Strainer Assembly (Fig.12) .....	156
43	Tension pulley assembly (Fig.13) .....	158
44	Oil Filter/Air Filter/Generator/Starting Motor/Silencer(Fig.14) .....	160

# 1 Air Filter

404G2-6E.10.001

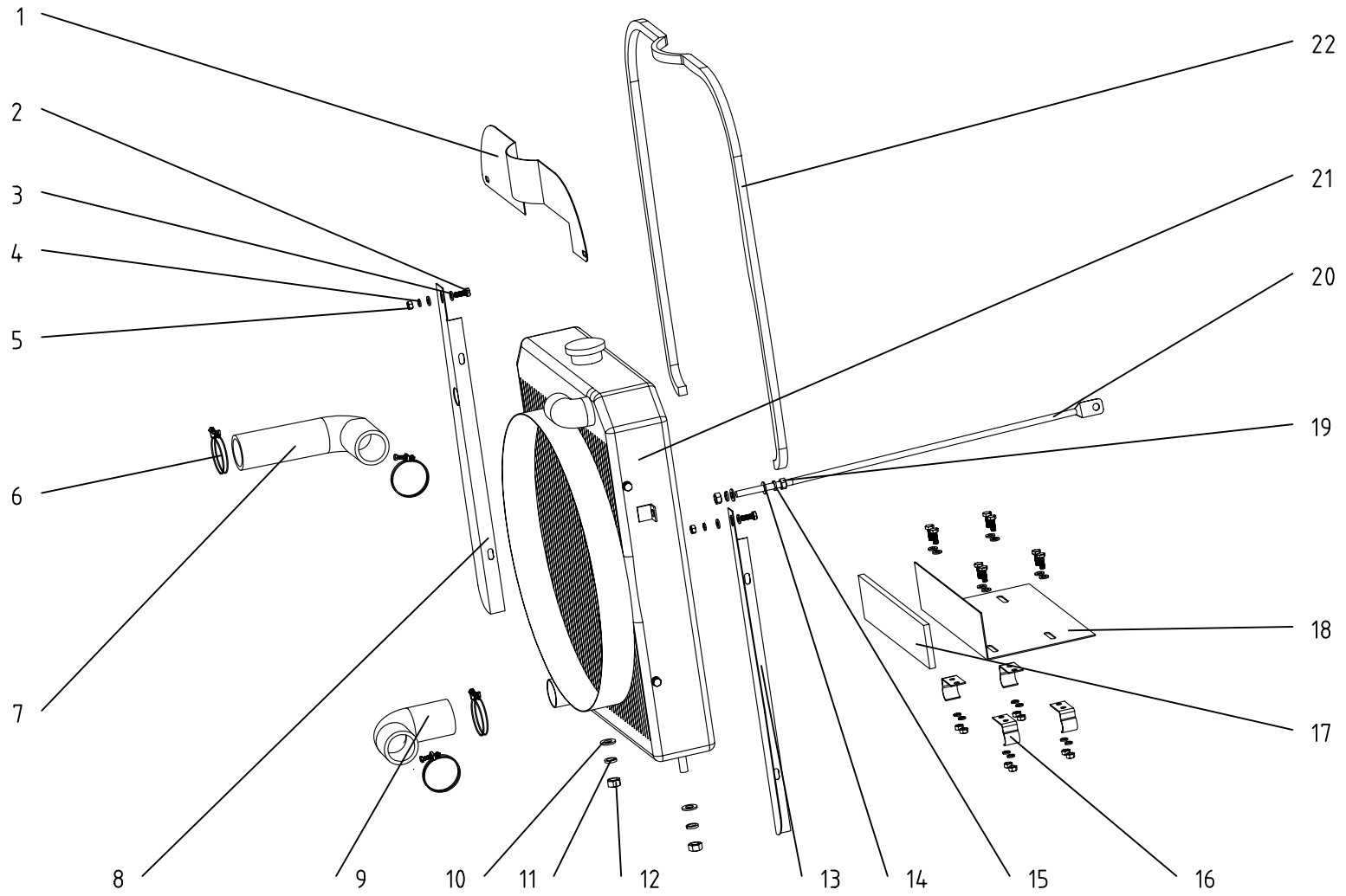


## 1 Air Filter

Ser.No.	Part No.	Name & Specifications	Quantity	Remarks
1		Air filter rind	1	
2	GB/T6170-2000-M10	Hex .nut M10	2	
3	GB/T93-1987-10	Spring Lock washer10	2	
4	GB/T97.1-2002-10	Plain washer 10	2	
5	GB/T5783-2000-M10×25	Hex.head bolt M10×25	2	
7	JB/T8870-1999-(44-64)	Clip (44-64)	1	
6	404G2-6E.10.102	Air pipe	1	
8	JB/T8870-1999-(64-76)	Clip (64-76)	1	
9	KW1025	filter screen	1	
10	404G2-6E.10.101	Air filter	1	

# 2 Radiator

304G2-6E.13.001



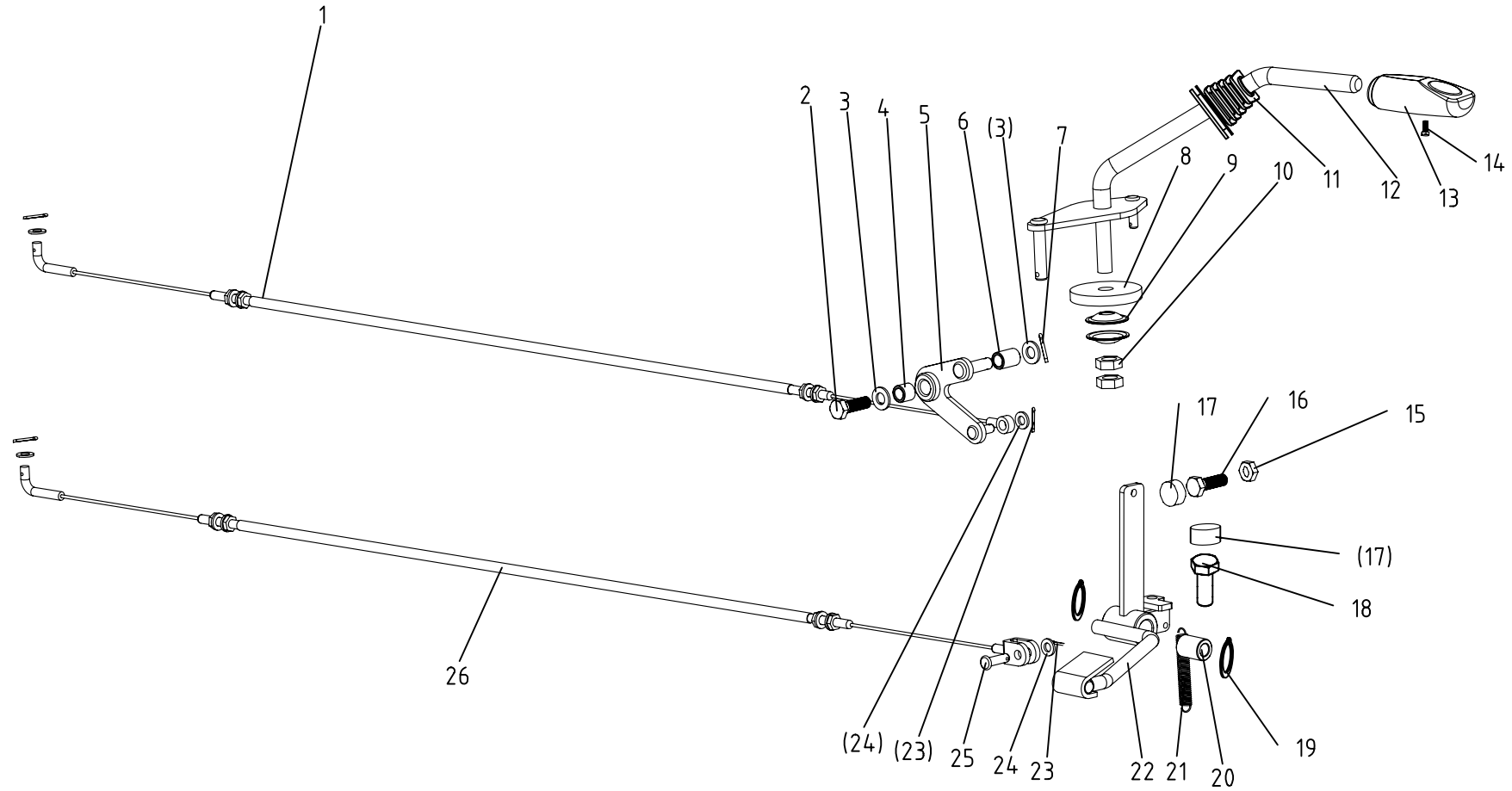


## 2. Radiator

Ser.No.	Part No.	Name & Specifications	Quantity	Remarks
1	304G2-6E.13.107	Up insulation board, radiator	1	Optional
2	GB/T5783-2000-M6×16	Hex.head bolt M6×16	10	
3	GB/T96.1-2002-6	Plain washer 6	12	
4	GB/T93-1987-6	Spring lock washer 6	10	
5	GB/T6170-2000-M6	Hex. nut M10	10	
6	JB/T8870-1999-(35-51)	Hose clamp 2A (35-51)	4	
7	304G2-6E.13.101	Upper water hose	1	Optional
8	304G2-6E.13.109	Left insulation board, radiator	1	
9	304G2-6E.13.104	Lower water pipe hose	1	
10	GB/T97.1-2002-10	Plain washer 10	2	
11	GB/T93-1987-10	Spring lock washer 10	2	
12	GB/T6170-2000-M10	Hex. nut M10	2	
13	304G2-6E.13.106	Right insulation board, radiator	1	
14	GB/T97.1-2002-8	Plain washer 8	2	
15	GB/T93-1987-8	Spring lock washer 8	2	
16	304G2-6E.13.105	Spring piece	4	
17	304G2-6E.13.103	rubber pad	1	
18	304G2-6E.13.108	Down shield board, radiator	1	
19	GB/T6170-2000-M8	Hex. nut M8	2	
20	304G2-6E.13.102	Supporting rod, radiator	1	
21	304G2-6E.13.011	Radiator	1	
22	550-1.51.101	Airproof piece	按需	

### 3 Throttle Control Mechanism

304G2-E. 20. 001

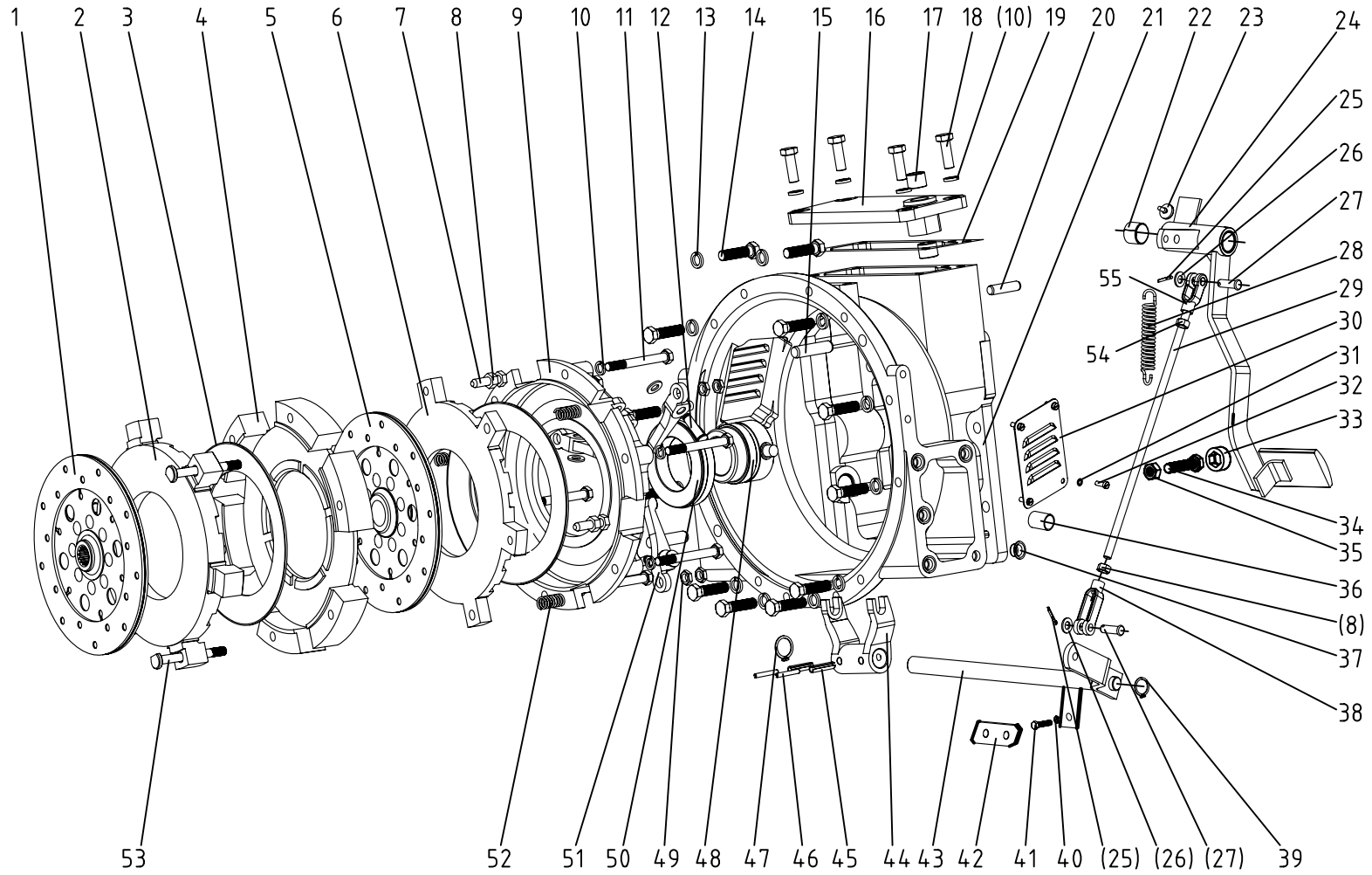


### 3. Throttle Control Mechanism

Ser.No.	Part No.	Name & Specifications	Quantity	Remarks
1	304G2-6F.20.014	Hand throttle wire	1	
2	GB/T5783-2000-M8×25	Hex. head bolt M8×25	1	
3	GB/T97.1-2002-8	Plain washer 8	2	
4	504G3.20.104	Bush	1	
5	504G3.20.021	Connect board	1	
6	504G3.20.115	Thimble	1	
7	GB/T91-2000-2×14	Split pin 2×14	1	
8	504G3.20.102	Friction lining	1	
9	504G3.20.105	Acetabuliform mat	2	
10	GB/T6170-2000-M12	Hex. nut M12	2	
11	504G3.20.101	Rubber boot	1	
12	504G3.20.012	Operating lever,Hand throttle	1	
13	504G3.20.011	Handle	1	
14	GB/T 845-1985-ST4.2×13	Bolt ST4.2×13	1	
15	GB/T6170-2000-M10	Hex. nut M10	2	
16	GB/T5783-2000-M10×45	Hex. head bolt M10×45	1	
17	504G3.21.103	Rubber blanket	2	
18	GB/T5782-2000-M10×65	Hex. head bolt M10×65	1	
19	GB/T894.1-1986-15	Circlip for shaft 15	2	
20	254G3.40.134	Bushing	1	
21	504G3-3.20.101-1	Return spring	1	
22	504G3-E.20.011-1	Foot throttle lever	1	
23	GB/T91-2000-1.6×12	Split pin 1.6×12	5	
24	GB/T97.1-2002-6	Plain washer 6	4	
25	GB/T882-1986-B6×20	Clevis pin with head B6×20	1	
26	304AGL.20.011	Foot throttle wire	1	

# 4 Clutch

404G2-6F. 21. 001



#### 4. Clutch

Ser.No.	Part No.	Name & Specifications	Quantity	Remarks
1	400-6.21.013	Driven plate ,main clutch	1	
2	300.21C.103-1	Pressure plate ,main clutch	1	
3	304G2-6.21.101	Disc spring	2	
4	300.21C.104	Fixed pressure plate, clutch	1	
5	400-6.21.012	Driven plate PTO clutch	1	
6	300.21C.106-1	Pressure plate PTO clutch	1	
7	300.21C.113-1	Adjusting bolt	3	
8	GB/T6171-2000-M10×1	Fine thread hex. nut M10×1	3	
9	300.21C.107-1	Clutch cover	1	
10	GB/T93-1987-10	Spring lock washer 10	10	
11	GB/T5782-2000-M10×90	Hex. head bolt M10×90	6	
12	300.21.158	Clevis pin with head	3	
13	GB/T93-1987-12	Spring lock washer 12	12	
14	GB/T5783-2000-M12×45	Hex. head bolt M12×45	12	
15	GB/T119.1-2000-D14×26	Parallel pin D14×26	2	300.37.154
16	404G2-6F.21.105	Cover	1	
17	254G3.21.111	Release shaft bush	2	
18	GB/T5783-2000-M10×30	Hex. head bolt M10×30	4	
19	404G2-6F.21.104	Paper gasket	1	
20	GB/T119.1-2000-B10×22	Parallel pin B10×22	2	
21	404G2-6F.21.101	Clutch case	1	
22	504G3.43.135	Bush(2520)	2	
23	504G3.43.101	Rubber plug	1	
24	404G2-6F.21.021	Clutch pedal	1	
25	GB/T91-2000-3.2×25	Split pin 3.2×25	2	

#### 4. Clutch

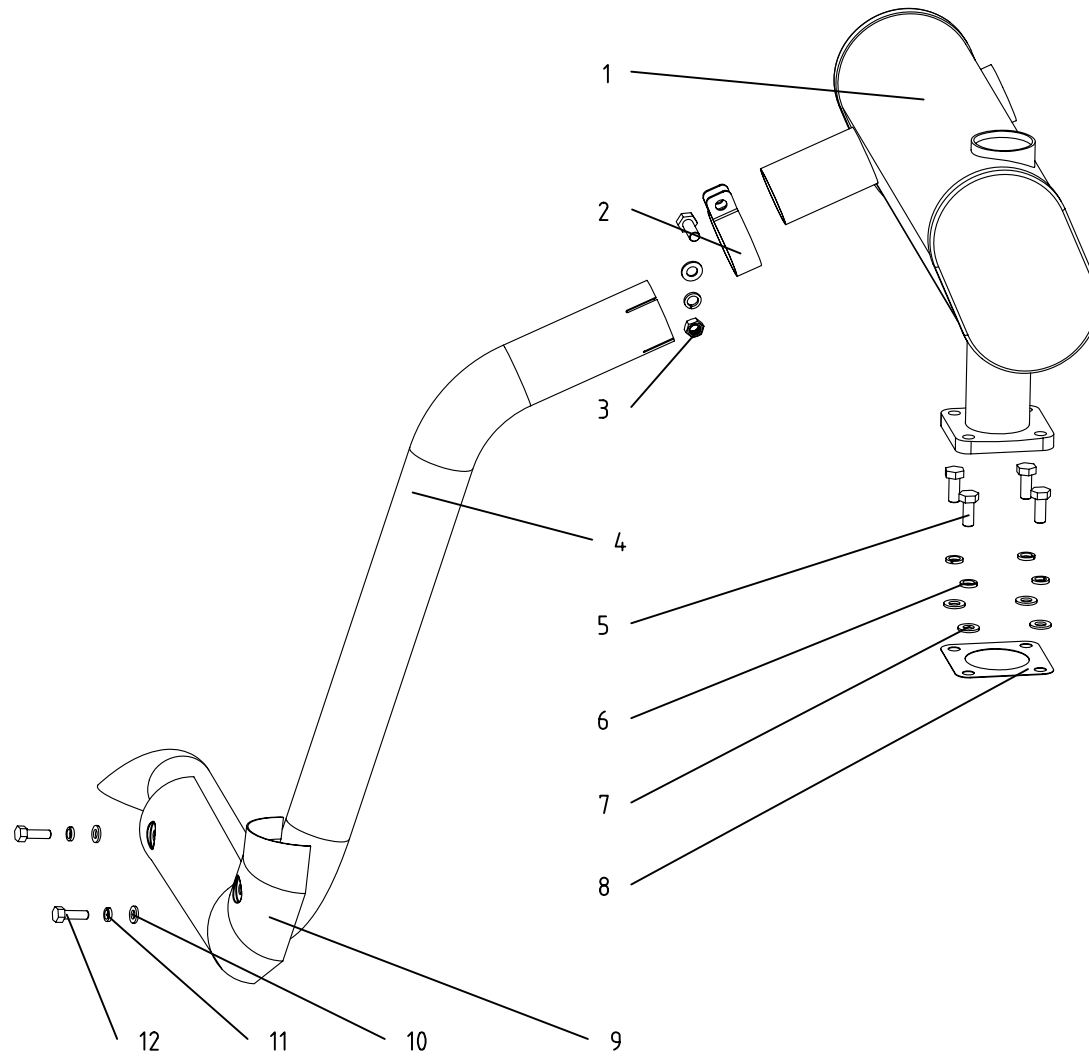
Ser.No.	Part No.	Name & Specifications	Quantity	Remarks
26	GB/T97.1-2002-10	Plain washer 10	5	
27	GB/T882-2000-B10×22	Parallel pin B10×22	2	
28	504G3.43.103-1	Return spring	1	
29	404G2-6F.21.107	Release pull-rod	1	
30	300.37.131-1	Inspection opening cover	1	
31	GB/T93-1987-6	Spring lock washer 6	4	
32	GB/T5783-2000-M6×12	Hex. head bolt M6×12	4	
33	504G3.21.103	Rubber plug	1	
34	GB/T5783-2000-M10×45	Hex. head bolt M10×45	1	
35	GB/T6170-2000-M10	Hex. nut M10	1	
36	404G2-6F.21.153	Release shaft bush	2	
37	300.37.180	Protecting plug,thread hole	1	
38	300.21A.148	Rod clevis	1	
39	GB/T894.1-1986-22	Circlip for shaft 22	1	
40	GB/T6170-2000-M6	Hex. nut M6	1	
41	300.21C.133	Adjusting bolt	1	
42	404G2-6F.21.108	Safety switch support	1	
43	404G2-6F.21.012	Release shaft, clutch	1	
44	404G2-6F.21.102	Release fork	1	
45	GB/T879-2000-8×35	Slotted spring pin 8×35	2	
46	GB/T879-2000-5×35	Slotted spring pin 5×35	2	
47	GB/T894.1-1986-24	Circlip for shaft 24	1	
48	404G2-6F.21.103	Release bearing seat	1	
49	GB/T6173-2000-M10×1	Fine thread hex. nut M10×1	6	

#### 4. Clutch

Ser.No.	Part No.	Name & Specifications	Quantity	Remarks
50	65TNK20	Release bearing	1	
51	404G2-6F.21.116	Main release lever	3	
52	300.21C.115	Return spring	3	
53	300.21C.114-1	Adjusting bolt	3	
54	GB/T6171-2000-M10×1-L	Fine thread hex. nut M10×1-L	1	
55	254G2.21.106	Rod clevis	1	

# 5 Exhaust Pipe

304G2-6E. 22. 001



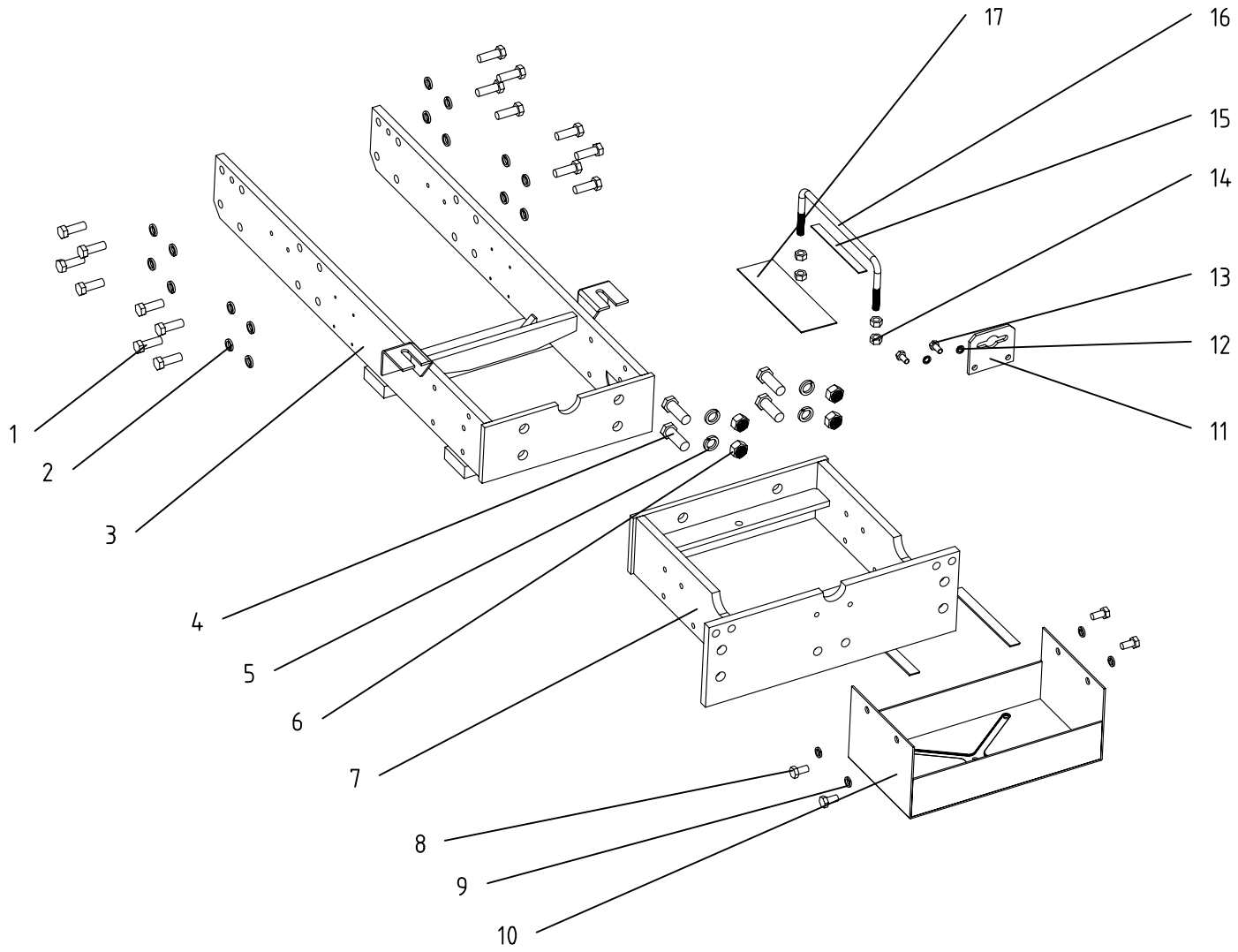


### 5. Exhaust pipe

Ser.No.	Part No.	Name & Specifications	Quantity	Remarks
1	304G2-6E.22.011	Dissipative muffler	1	
2	304G2-6E.22.101	Clip	1	
3	GB/T6170-2000-M8	Hex .nut M8	1	
4	304G2-6E.22.012	Exhaust pipe	1	
5	GB/T5783-2000-M8×25	Hex.head bolt M8×25	5	
6	GB/T93-1987-8	Spring Lock washer 8	5	
7	GB/T97.1-2002-8	Plain washer 8	5	
8	304G2-6E.22.102	Paper gasket	1	
9	304G2-6E.22.103-1	Exhaust pipe cover	1	
10	GB/T97.1-2002-6	Plain washer 6	2	
11	GB/T93-1987-6	Spring Lock washer 6	2	
12	GB/T5783-2000-M6×12	Hex.head bolt M8×25	2	

# 6 Frame

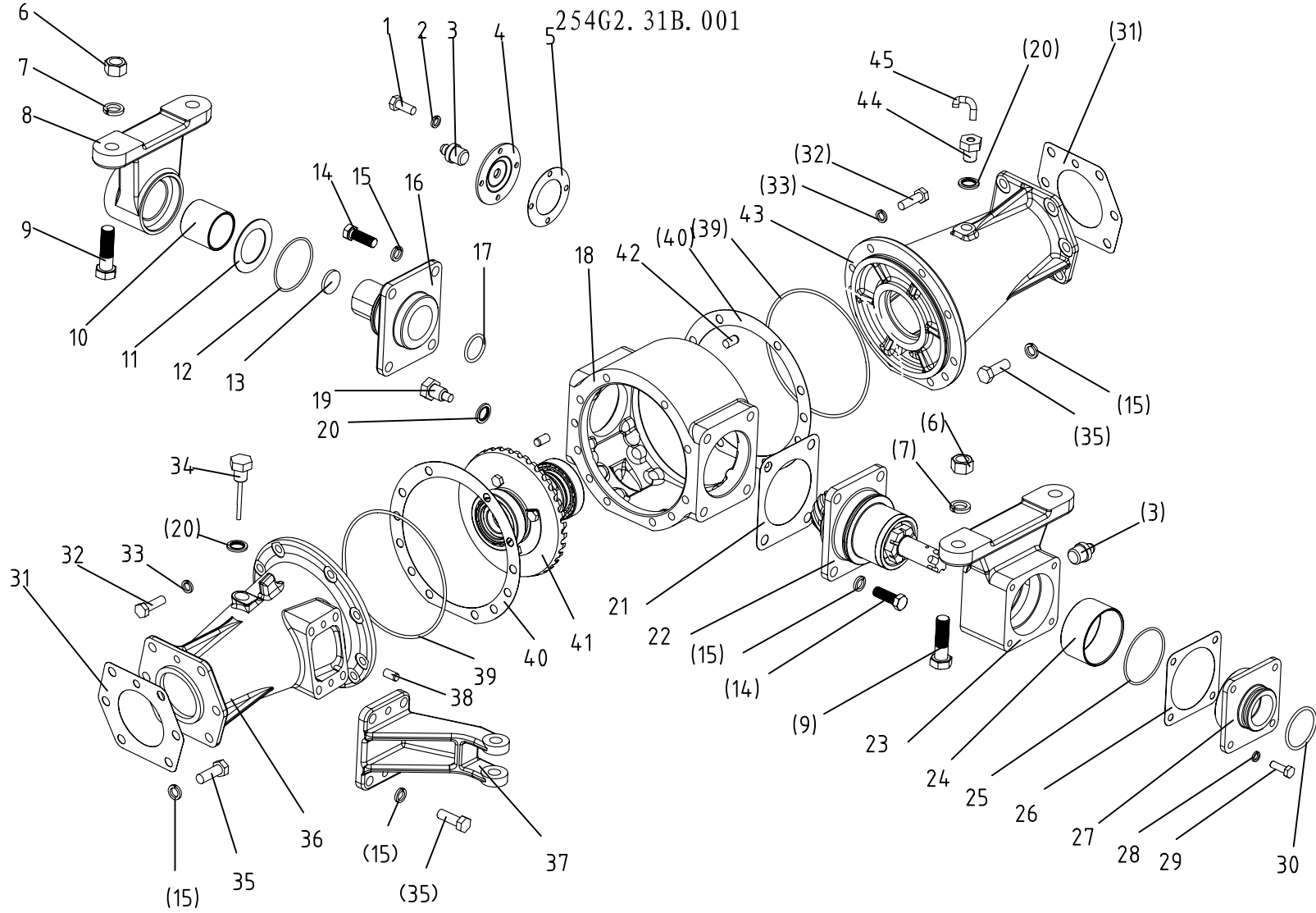
304G2-6E. 30. 001



## 6. Frame

Ser.No.	Part No.	Name & Specifications	Quantity	Remarks
1	GB/T5783-2000-M12×35	Hex.head bolt M12×35	16	8.8
2	GB/T93-1987-12	Spring Lock washer12	16	
3	304G2-6E.30.011	Frame	1	
4	GB/T5783-2000-M16×45	Hex.head bolt M16×45	4	8.8
5	GB/T93-1987-16	Spring Lock washer16	4	
6	GB/T6170-2000-M16	Hex .nut M16	4	8
7	304G2-6.30.012-1	Assistant weight support	1	
8	GB/T5783-2000-M10×20	Hex.head bolt M10×20	4	
9	GB/T93-1987-10	Spring Lock washer10	4	
10	304G2-6.30.013	Battery bracket	1	
11	250.30.116	Starting crank gate	1	Optional
12	GB/T93-1987-8	Spring Lock washer8	2	Optional
13	GB/T5783-2000-M8×16	Hex.head bolt M8×16	2	Optional
14	GB/T6170-2000-M10	Hex .nut M10	4	
15	300.47.143	rubber gasket	1	
16	304G2-6.30.110	U model of bolt	1	
17	250.30.103	Rubber gasket for battery	1	

7.1  
Front Drive Axles (Middle)



### 7.1 Front Wheel Drive Axle (Middle)

Ser.No.	Part No.	Name & Specifications	Quantity	Remarks
1	GB/T5783-2000-M6×12	Hex. head bolt M6×12	4	
2	GB/T93-1987-6	Spring lock washer 6	4	
3	JB/T7940.1-1995-M10×1	Grease cup M10×1	2	
4	304.31.019	End cover of front pedestal	1	
5	304.31.122	End cover gasket	1	
6	GB/T6170-2000-M16	Hex. nut M16	4	
7	GB/T93-1987-16	Spring lock washer 16	4	
8	304.31.220-2	Front pedestal	1	
9	GB/T27-1988-M16×65	Hex. head bolt M16×65	4	
10	304.31.219-1	Front pedestal bush	1	
11	304.31.123-1	Shims for front swing axle	one set	One pcs for each size
12	GB/T3452.1-1992-65×2.65	O-ring seal 65×2.65	1	
13	QT/C388-1999-24	Casing cap	1	
14	GB/T5786-2000-M12×1.5×35	Hex. head bolt M12×1.5×35	8	
15	GB/T93-1987-12	Spring lock washer 12	24	
16	304.31.124-2	Front swing axle	1	
17	GB/T3452.1-1992-69×3.55	O-ring seal 69×3.55	1	
18	304.31.116-2	Main drive case	1	
19	200.38.024	Oil drain plug	1	
20	JB-FT-CU-16	Copper washer 16	3	
21	304.31.125-1	Shims for bearing seat	one set	Two pcs for each size
22	304.31.022-1	Bevel drive pinion assembly	1	
23	304.31.222-3	Rear pedestal	1	
24	304.31.221-1	Rear pedestal bush	1	
25	GB/T3452.1-1992-69×2.65	O-ring seal 69×2.65	1	

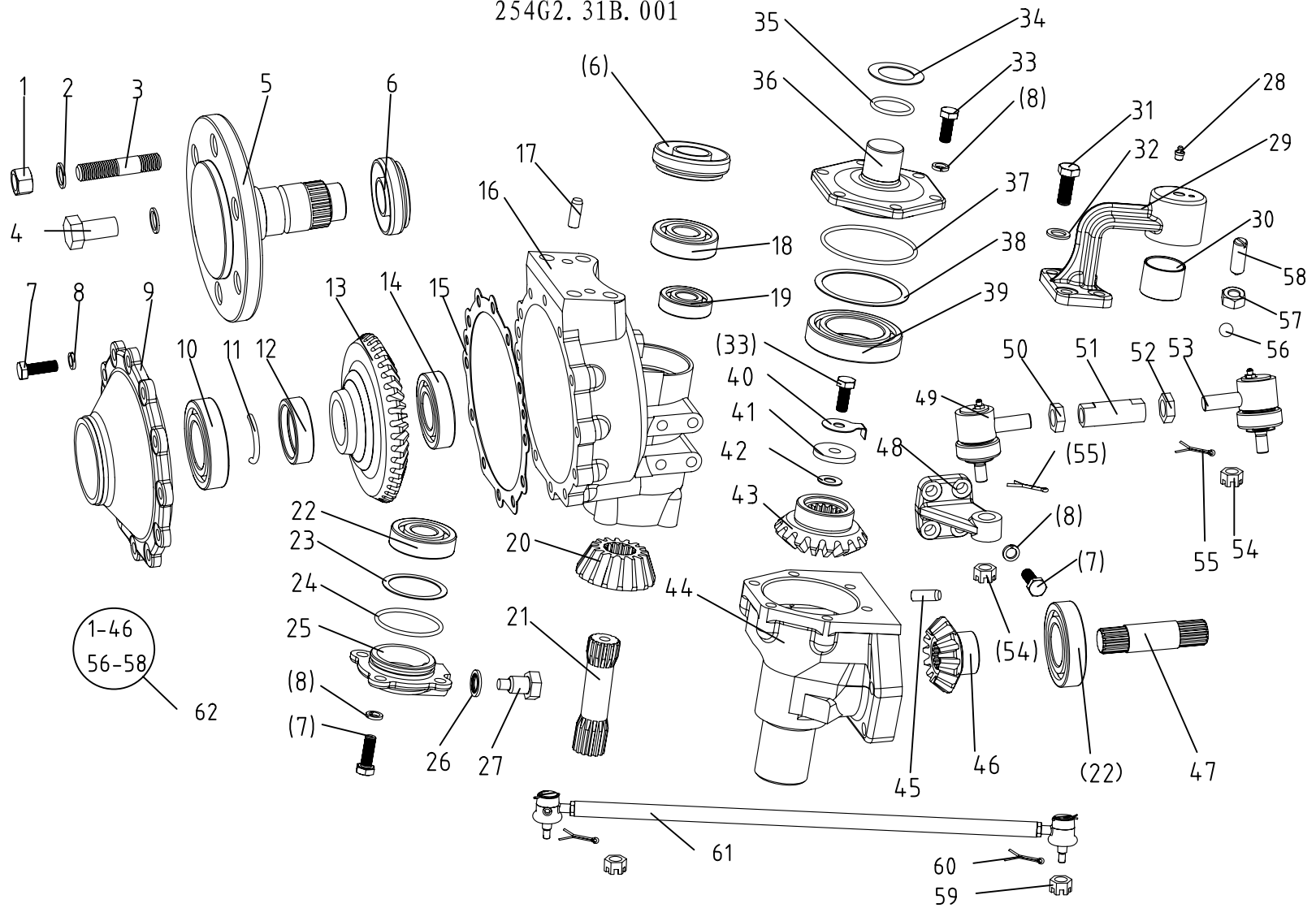
## 7.1 Front Wheel Drive Axle (Middle)

Ser.No.	Part No.	Name & Specifications	Quantity	Remarks
26	304.31.126-1	Gasket for end cover	1	
27	304.31.127-2	End cover of rear pedestal	1	
28	GB/T93-1987-8	Spring lock washer 8	4	
29	GB/T5783-2000-M8×25	Hex. Head bolt M8×25	4	
30	GB/T3452.1-1992-48.7×3.55	O-ring seal 48.7×3.55	1	
31	304.31.128-1	Gasket for Upright shaft housing	2	
32	GB/T5783-2000-M10×35	Hex. head bolt M10×35	20	
33	GB/T93-1987-10	Spring lock washer 10	20	
34	304.31.013-1	Oil dipstick	1	
35	GB/T5783-2000-M12×35	Hex. head bolt M12×35	16	
36	254G2.31A.105	Left half shaft housing	1	
37	304.31.234	Power steering cylinder bracket	1	
38	GB/T119.1-2000-A10×16	Straight pin A10×16	2	
39	GB/T3452.1-1992-160×3.55	O-ring seal 160×3.55	2	
40	304.31.117-1	Shims for main drive case	two set	Two pcs for each size
41	304.31.014A	Differential assembly	1	
42	GB/T119.1-2000-A10×20	Straight pin A10×20	2	
43	254G2.31A.108	Right half shaft housing	1	
44	304.31.118-1	Vent plug	1	
45	304.31.119-1	Vent pipe	1	
	304.31.119A	Vent pipe	1	for paddy field

# 7.2

## Front Drive Axle (Left Side-Slowdown)

254G2. 31B. 001



## 7.2 Front Wheel Drive Axle ( Left Side-Slowdown )

Ser.No.	Part No.	Name & Specifications	Quantity	Remarks
1	GB/T6176-2000-M18×1.5	Hex. nut M18×1.5	2	
2	GB/T93-1987-18	Spring lock washer 18	6	
3	304.31.179	Double screw bolt	2	M18×1.5×52-20
4	GB/T5786-2000-M18×1.5×35	hex. head bolt M18×1.5×35	4	level 8.8
5	304.31.101-3	Drive shaft	1	
6	404-9.31.111	Oil-seal MC50×72×15	2	
7	GB/T5783-2000-M10×30	Hex. head bolt M10×30	16	
8	GB/T93-1987-10	Spring lock washer 10	26	
9	304.31.104-3	Drive shaft cover	1	
10	GB/T276-1994-6209	Ball bearing 6209	1	
11	304.31.102-2	Fixing ring of drive shaft	2	
12	304.31.103-2	Drive shaft sleeve	1	
13	304.31.132-3	Driven bevel gear of final drive	1	
14	GB/T276-1994	Ball bearing 6207	1	
15	304.31.105-1	Gasket for drive shaft cover	1	
16	304.31.228-5	Left final drive housing	1	
17	GB/T119.2-2000-A10×24	Straight pin A10×24	2	
18	GB/T276-1994-61910	Ball bearing 61910	1	
19	GB/T297-1994-32909	Tapered roller bearing 32909	1	
20	304.31.131-3	Driving bevel gear of final drive	1	
21	304.31.107-4	Upright shaft	1	
22	GB/T276-1994	Ball bearing 6208	2	
23	850-2.39.112/113/114	Adjusting shims	Needed	
24	GB/T3452.1-1992-75×2.65	O-ring seal 75×2.65	1	
25	304.31.137-3	Lower bearing cover	1	



## 7.2 Front Wheel Drive Axle ( Left Side-Slowdown )

Ser.No.	Part No.	Name & Specifications	Quantity	Remarks
26	JB-FT-CU-16	Combined seal washer 16	1	
27	200.38.024	Oil drain plug	1	
28	JB/T7940.1-1995-M8×1	Grease cup M8×1	1	
29	254G2.31B.101	Left steering arm	1	Hydraulic Steer
	254G2.31B.101A	Left steering arm	1	Machine Steer
30	304.31.202-1	Steering arm bushing	1	
31	GB/T5783-2000-M12×40	Hex. head bolt M12×40	4	
32	GB/T93-1987-12	Spring lock washer 12	4	
33	GB/T5783-2000-M10×25	Hex. head bolt M10×25	11	
34	304.31.249/250/251/252	Steering arm adjusting shim	Needed	
35	GB/T3452.1-1992-34.5×2.65	O-ring seal 34.5×2.65	1	
36	304.31.111-4	Upper bearing cover	1	
37	GB/T3452.1-1992-85×2.65	O-ring seal 85×2.65	1	
38	304.31.133	Adjusting shims for the first drive	One set	Two pcs for each size
39	GB/T276-1994-6011	Ball bearing 6011	1	
40	304.31.138	Lock washer	1	
41	304.31.110-1	Blocking ring of upright shaft	1	
42	304.31.112-2	Adjusting shims	One set	Two pcs for each size
43	304.31.113-1	Driven bevel gear of the first drive	1	
44	254G2.31B.103	Upright shaft housing	1	
45	GB/T119.2-2000-A10×20	Straight pin A10×20	1	
46	304.31.129-1	Driving bevel gear of the first drive	1	
47	254G2.31.106	Half shaft	1	
48	254D.31.120	Left steering trapezoid arm	1	

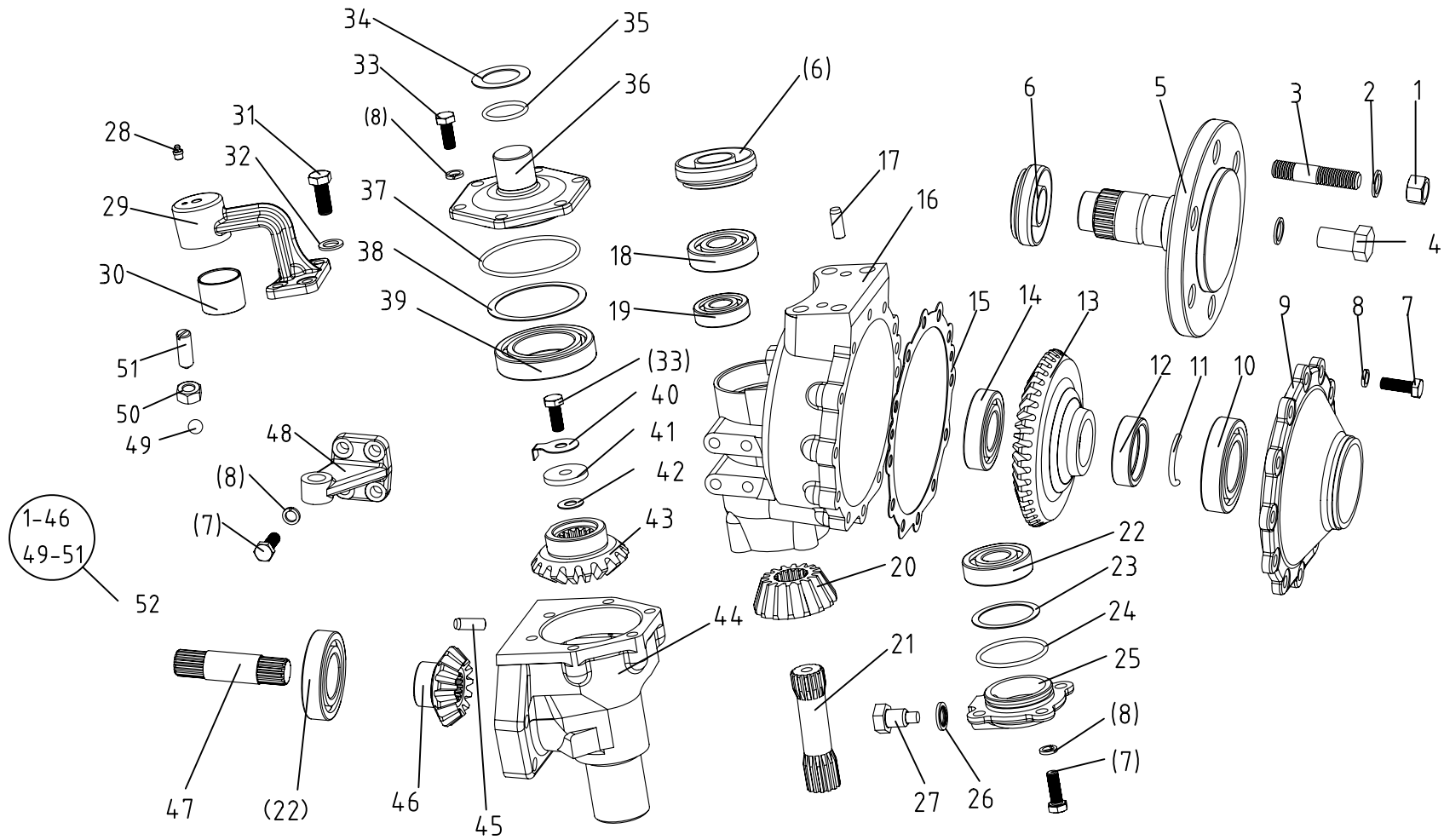
## 7.2 Front Wheel Drive Axle ( Left Side-Slowdown )

Ser.No.	Part No.	Name & Specifications	Quantity	Remarks
49	450.31.024-1	Linkage ball joint (Left)	1	
50	GB/T6173-2000-M18×1.5-Left	Hex.thin nut M18×1.5-Left	1	
51	254G2.31A.110-1	Steering tie rod	1	
52	GB/T6173-2000-M18×1.5	Hex.thin nut M18×1.5	1	
53	450.31.026-1	Linkage ball joint (Right)	1	
54	GB/T6181-1986-M14	Hex. thin slotted nut M14	2	
55	GB/T91-2000-3.2×24	Split pin 3.2×24	2	
56	GB/T308-2002-8.7312G200b	Ball 8.7312G200b	1	11/32 "
57	GB/T6171-2000-M10×1	Hex. nut M10×1	1	
58	504.31.144	Set screw M10×1	1	M10×1
59	GB/T6181-1986-M12	Hex. thin slotted nut M12	2	
60	GB/T91-2000-3.2×32	Split pin 3.2×32	2	
61	200.31B.017-1	Steering drag link	1	Machine Steer 385
	300.31.017-1	Steering drag link	1	Machine Steer 390
62		Left final drive housing assembly	1	

# 7.3

## Front Drive Axle (Right Side-Slowdown)

254G2. 31B. 001



### 7.3 Front Wheel Drive Axle ( Right Side-Slowdown )

Ser.No.	Part No.	Name & Specifications	Quantity	Remarks
1	GB/T6176-2000-M18×1.5	Hex. nut M18×1.5	2	
2	GB/T93-1987-18	Spring lock washer 18	6	
3	304.31.179	Double screw bolt	2	M18×1.5×52-20
4	GB/T5786-2000-M18×1.5×35	hex. head bolt M18×1.5×35	4	level 8.8
5	304.31.101-3	Drive shaft	1	
6	404-9.31.111	Oil-seal MC50×72×15	2	
7	GB/T5783-2000-M10×30	Hex. head bolt M10×30	16	
8	GB/T93-1987-10	Spring lock washer 10	26	
9	304.31.104-3	Drive shaft cover	1	
10	GB/T276-1994-6209	Ball bearing 6209	1	
11	304.31.102-2	Fixing ring of drive shaft	2	
12	304.31.103-2	Drive shaft sleeve	1	
13	304.31.132-3	Driven bevel gear of final drive	1	
14	GB/T276-1994-6207	Ball bearing 6207	1	
15	304.31.105-1	Gasket for drive shaft cover	1	
16	304.31.216-5	Right final drive housing	1	
17	GB/T119.2-2000-A10×24	Straight pin A10×24	2	
18	GB/T276-1994-61910	Ball bearing 61910	1	
19	GB/T297-1994-32909	Tapered roller bearing 32909	1	
20	304.31.131-3	Driving bevel gear of final drive	1	
21	304.31.107-4	Upright shaft	1	
22	GB/T276-1994-6208	Ball bearing 6208	2	
23	850-2.39.112/113/114	Adjusting shims	Needed	
24	GB/T3452.1-1992-75×2.65	O-ring seal 75×2.65	1	
25	304.31.137-3	Lower bearing cover	1	

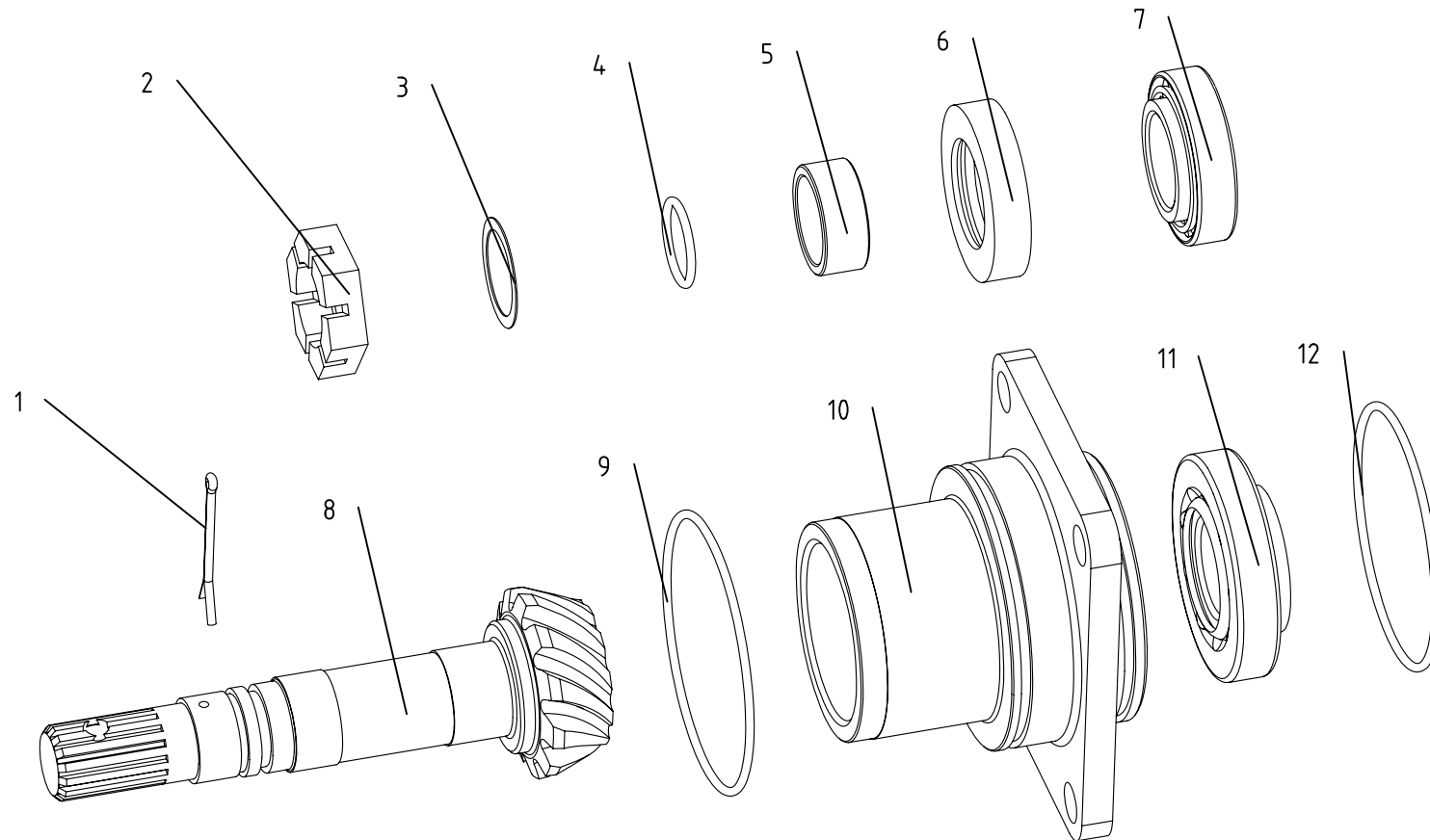
### 7.3 Front Wheel Drive Axle ( Right Side-Slowdown )

Ser.No.	Part No.	Name & Specifications	Quantity	Remarks
26	JB-FT-CU-16	Combined seal washer 16	1	
27	200.38.024	Oil drain plug	1	
28	JB/T7940.1-1995-M8×1	Grease cup M8×1	1	
29	304.31.215-4	Right linking arm	1	
30	304.31.202-1	Steering arm bushing	1	
31	GB/T5783-2000-M12×40	Hex. head bolt M12×40	4	
32	GB/T93-1987-12	Spring lock washer 12	4	
33	GB/T5783-2000-M10×25	Hex. head bolt M10×25	11	
34	304.31.249/250/251/252	Steering arm adjusting shim	Needed	
35	GB/T3452.1-1992-34.5×2.65	O-ring seal 34.5×2.65	1	
36	304.31.111-4	Upper bearing cover	1	
37	GB/T3452.1-1992-85×2.65	O-ring seal 85×2.65	1	
38	304.31.133	Adjusting shims for the first drive	One set	Two pcs for each size
39	GB/T276-1994-6011	Ball bearing 6011	1	
40	304.31.138	Lock washer	1	
41	304.31.110-1	Blocking ring of upright shaft	1	
42	304.31.112-2	Adjusting shims	One set	Two pcs for each size
43	304.31.113-1	Driven bevel gear of the first drive	1	
44	254G2.31B.103	Upright shaft housing	1	
45	GB/T119.2-2000-A10×20	Straight pin A10×20	1	
46	304.31.129-1	Driving bevel gear of the first drive	1	
47	304.31.114-2	Half shaft	1	
48	254D.31.121	Right steering trapezoid arm	1	
49	GB/T308-2002-8.7312G200b	Ball 8.7312G200b	1	11/32 "

### 7.3 Front Wheel Drive Axle ( Right Side-Slowdown )

Ser.No.	Part No.	Name & Specifications	Quantity	Remarks
50	GB/T6171-2000-M10×1	Hex. nut M10×1	1	
51	504.31.144	Set screw M10×1	1	M10×1
52		Right final drive housing assembly	1	

7.4  
Front Drive Axle (304.31.022-1 Assembly) (for 4WD)  
304.31.022-1



#### 7.4 Front Wheel Drive Axle (304.31.022-1 Assembly)

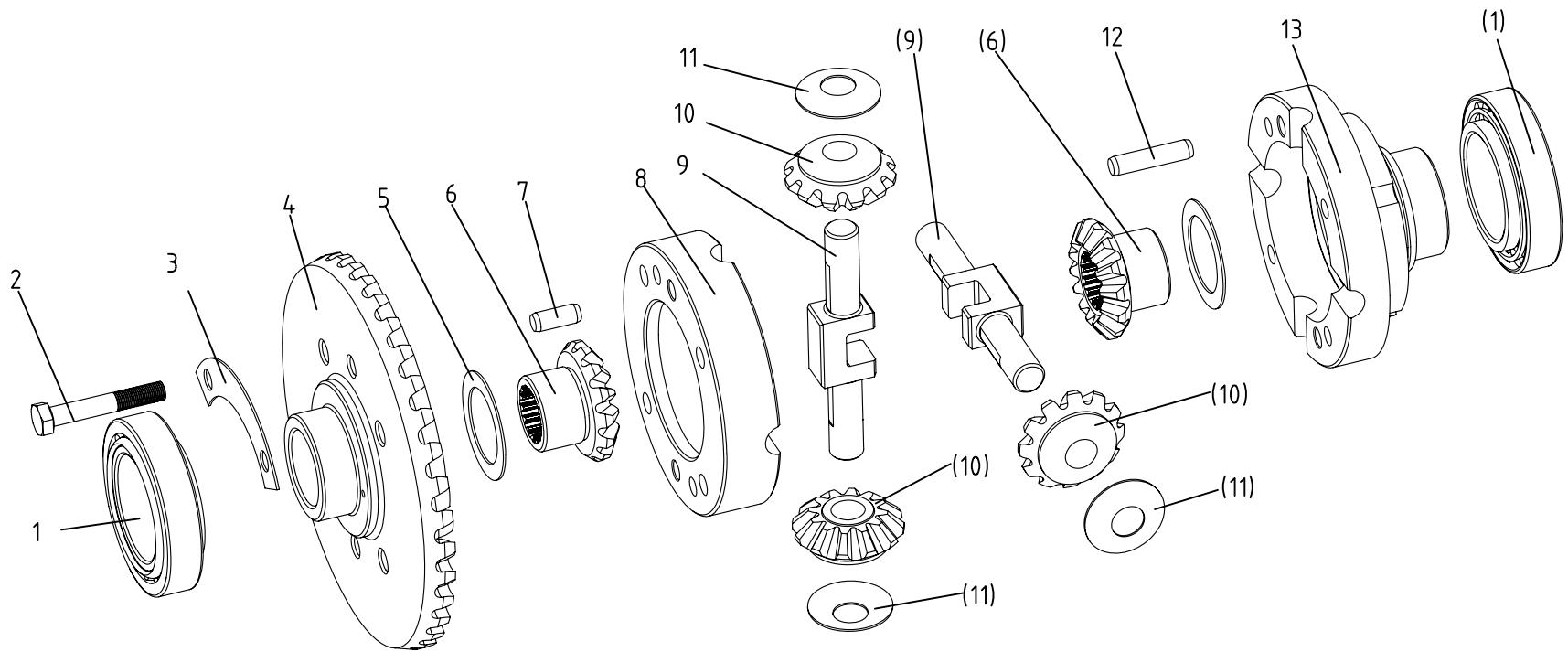
Ser.No.	Part No.	Name & Specifications	Quantity	Remarks
1	GB/T91-2000-3.2×50	Split pin 3.2×50	1	
2	304.31.223-1	Castle nut	1	M27×1.5
3	304.31.224-1	Adjusting shims	one set	One pcs for each size
4	GB/T3452.1-1992-23.6×2.65	O-ring seal 23.6×2.65	1	
5	304.31.225-1	Oil-seal seat	1	
6	HG4-692-67-SD35×56×12	Oil-seal SD35×56×12	1	
7	GB/T297-1994-32006	Taper roller bearing 32006	1	
8	304.31.227	Bevel drive pinion	1	
9	GB/T3452.1-1992-85×2.65	O-ring seal 85×2.65	1	
10	304.31.226	Bearing seat	1	
11	GB/T297-1994-31306	Taper roller bearing 31306	1	
12	GB/T3452.1-1992-80×2.65	O-ring seal 80×2.65	1	



# 7.5

## Front Drive Wheel Axle (304.31.014 Assembly) (for 4WD)

304.31.014A

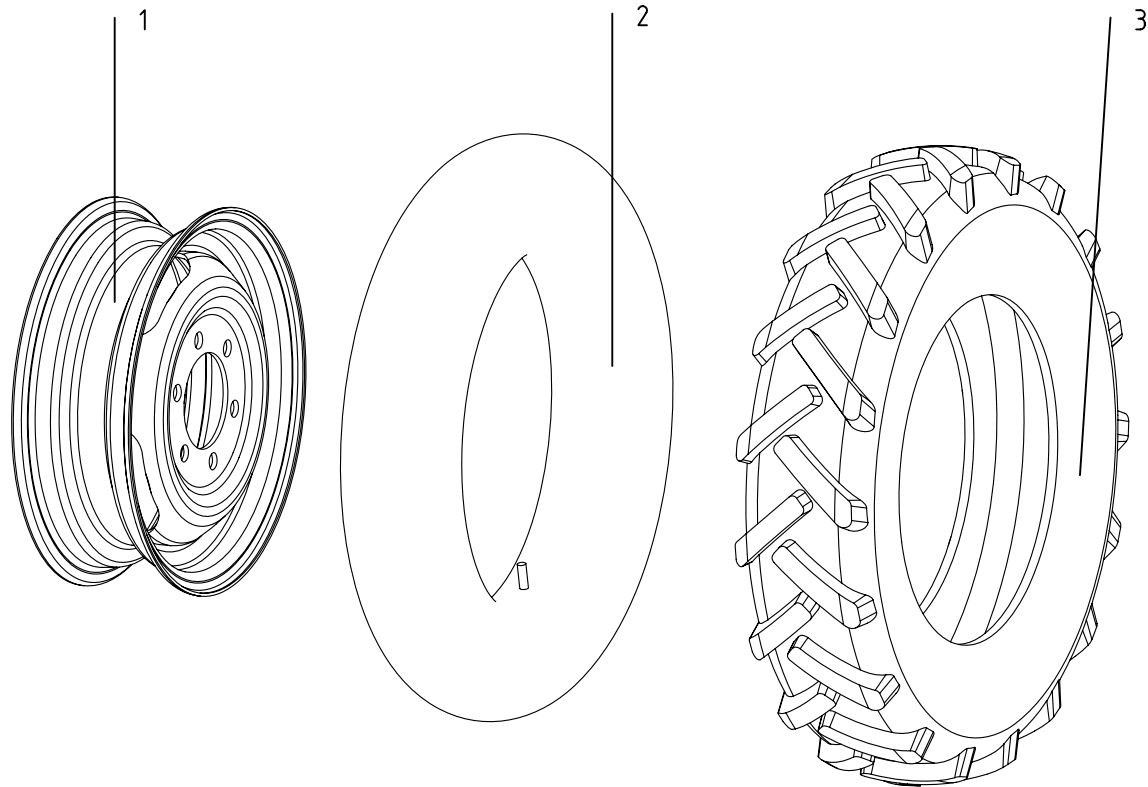


### 7.5 Front Wheel Drive Axle (304.31.014A Assembly)

Ser.No.	Part No.	Name & Specifications	Quantity	Remarks
1	GB/T297-1994-32009	Taper roller bearing 32009	2	
2	GB/T5782-2000-M8×50	Hex. head bolt M8×50	4	
3	304.31.206	Lock washer for crown gear	2	
4	304.31.207	Crown gear	1	
5	304.31.210A	Half shaft gear washer	2	
6	304.31.211A	Half shaft gear	2	
7	GB/T119.1-2000-A8×20	Straight pin A8×20	2	
8	304.31.235	Left differential housing	1	
9	304.31.208A	Planet gear shaft	2	
10	304.31.205A	Planet gear	2	
11	304.31.209A-1	Planet gear washer	2	
12	GB/T119.1-2000-A8×35	Straight pin A8×35	2	
13	304.31.236	Right differential housing	1	

# 8 Front Drive Wheel

204.32.001-1

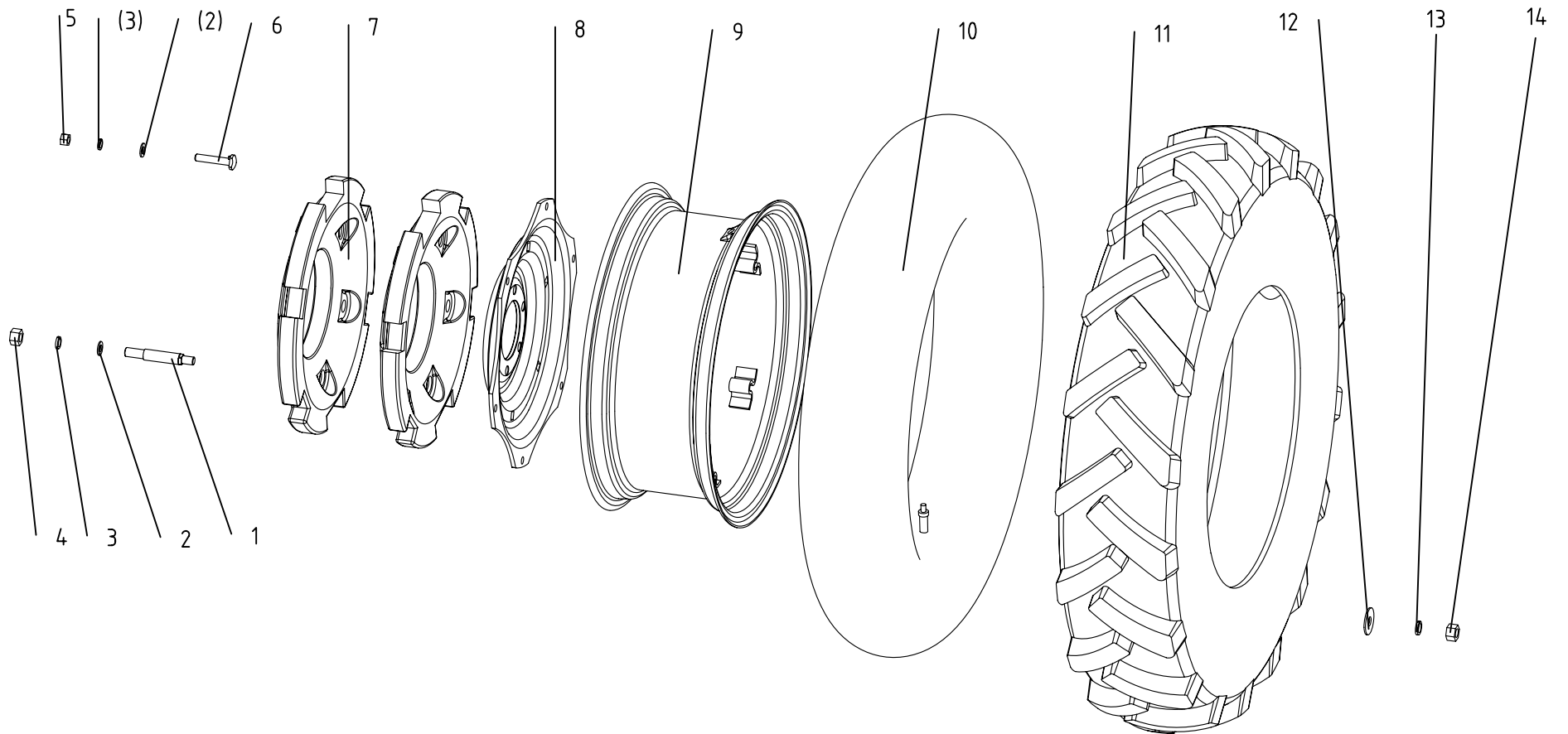


**8 Front Drive Wheel**

Ser.No.	Part No.	Name & Specifications	Quantity	Remarks
1	204.32.011-1	Rim , Front drive wheel	1×2	
2	GB/T2979-1999-6.00-12	Tube 6.00-12	1×2	
3	GB/T2979-1999-6.00-12	Tire 6.00-12	1×2	

# 9 Drive Wheel

304G2-6. 34. 001

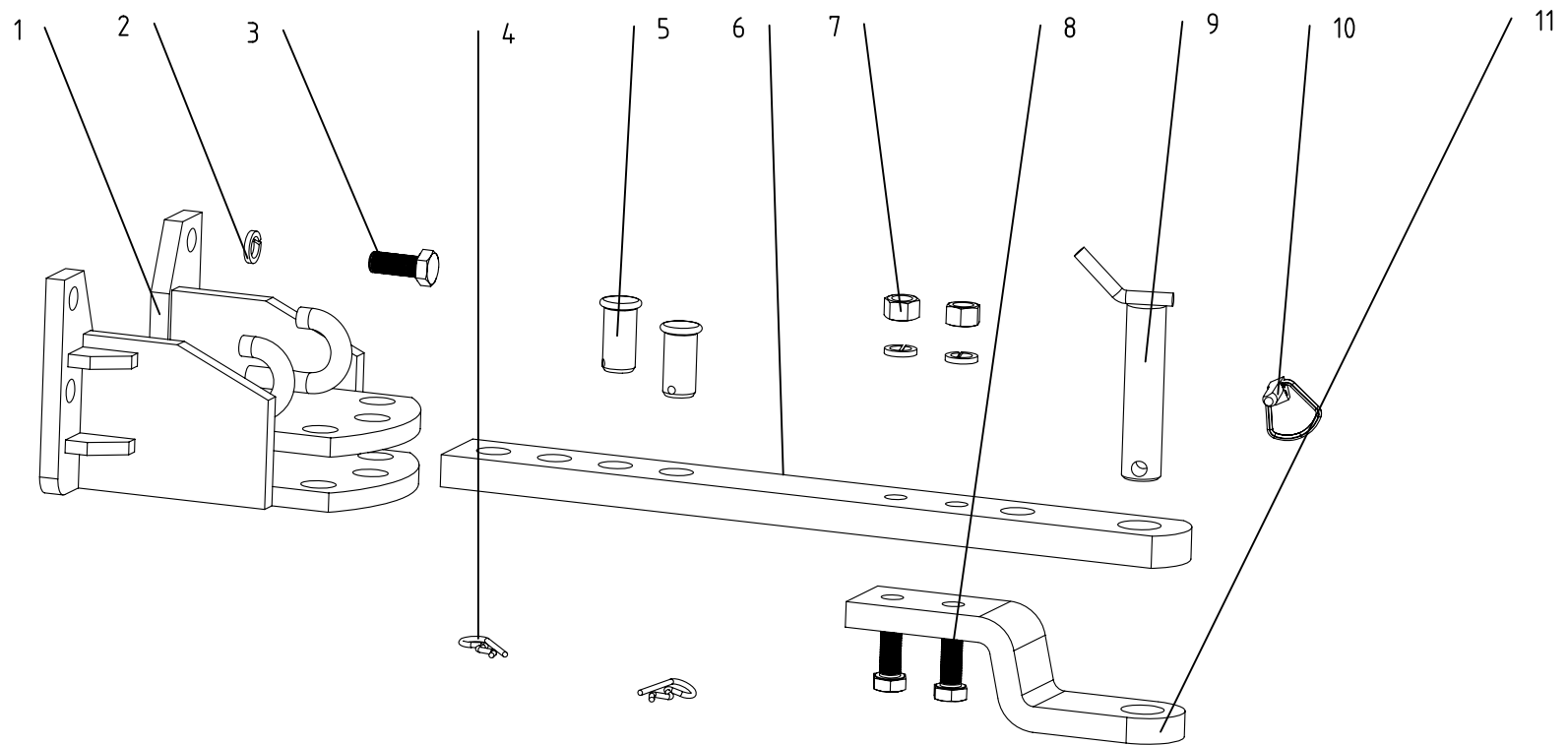


### 9 Drive Wheel

Ser.No.	Part No.	Name & Specifications	Quantity	Remarks
1	304G2-6.34.104	Bolt for ballast	3×2	
2	GB/T97.1-2002-14	Plain washer 14	9×2	
3	GB/T93-1987-14	Spring lock washer 14	9×2	
4	GB/T6170-2000-M14	Hex. nut M14	3×2	
5	GB/T6176-2000-M14×1.5	Fine thread hex. nut M14×1.5	6×2	
6	200.34.115	Attachment bolt	6×2	
7	304G2-6.34.103	Wheel ballast	2×2	
8	304G2-6.34.101	Disc	1×2	
9	304G2-6.34.011	Rim(20×W10)	1×2	
10	GB/T2979-1999-11.2-20	Tube 11.2-20	1×2	
11	GB/T2979-1999-11.2-20	Tire 11.2-20	1×2	
12	GB/T96-2002-16	Large plain washer 16	3×2	
13	GB/T97.1-2002-16	Plain washer 16	3×2	
14	GB/T6170-2000-16	Hex. nut M16	3×2	

# 10. A Tractor Drawbar

280.53A.001



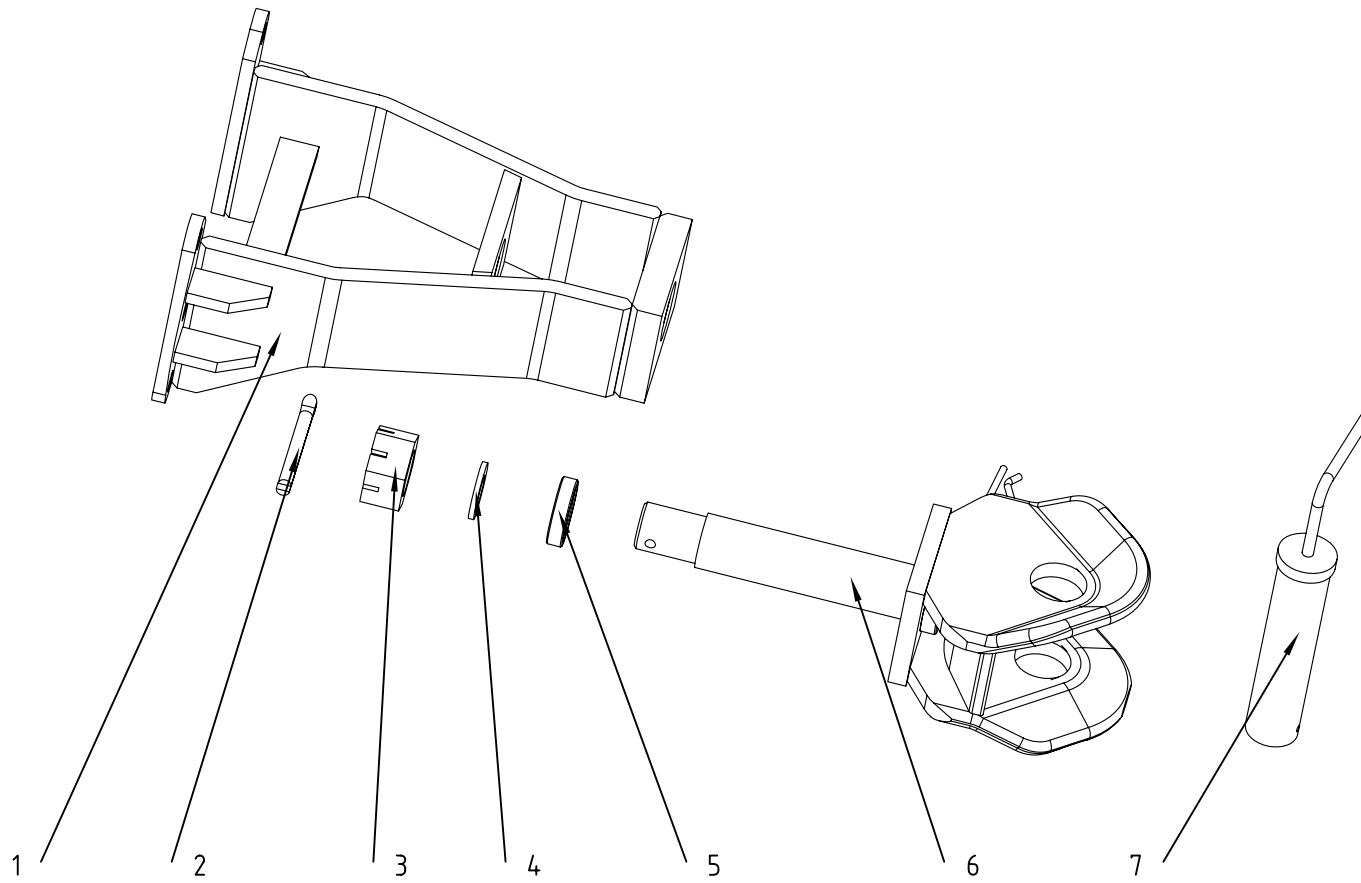
### 10. A Tractor Drawbar

Ser.No.	Part No.	Name & Specifications	Quantity	Remarks
1	280.53A.012-1	Swing Drawbar Frame	1	
2	GB/T93-1987-16	Spring lock washer 16	6	
3	GB/T5783-2000-M16×40	Hex. head bolt M16×40	4	
4	300.53.102	R-pin	2	
5	300.53.109	Hitch pin	2	
6	300.53A.103	Drawbar plate	1	
7	GB/T6170-2000-M16	Hex. nut M16	2	
8	GB/T5782-2000-M16×65	Hex. head bolt M16×65	2	
9	300.53.011	Spindle	1	
10	200.56.023	Lock pin	1	
11	300.53.104-1	Drawbar clamping plate	1	



# 10. B Clevis type

300-6. 35B. 001

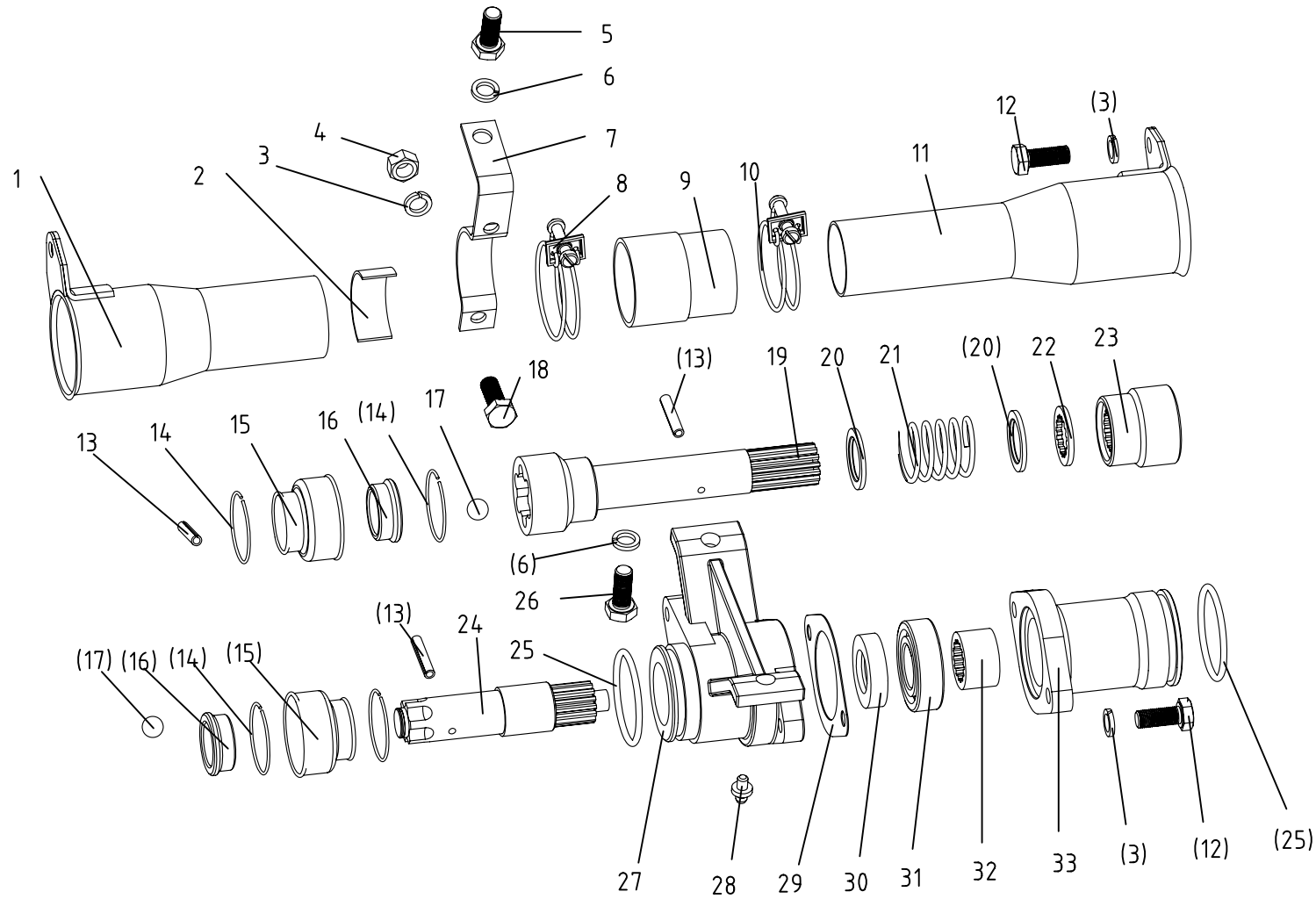


### 10.B Clevis type

Ser.No.	Part No.	Name & Specifications	Quantity	Remarks
1	300-6.35B.011	Drawbar frame	1	
2	GB/T91-2000-8×60	Split pin 8×60	1	
3	GB/T6181-1986-M36×3	Hex. Nut M36×3	1	
4	GB/T97.1-2002-36	Plain washer 36	1	
5	300-6.35B.101	Cushion sleeve	1	
6	300-6.35B.013	Connect frame	1	
7	300-6.35.018	Hitch pin (二)	1	

# 11 Transmission Shaft

304G2.36.001



### 11 Transmission shaft

Ser.No.	Part No.	Name & Specifications	Quantity	Remarks
1	354.36.012	Front housing	1	
2	304.36.114	Rubber pad	1	
3	GB/T93-1987-8	Spring lock washer 8	4	
4	GB/T6170-2000-M8	Hex. nut M8	2	
5	GB/T5783-2000-M10×20	Hex. head bolt M10×20	2	
6	GB/T93-1987-10	Spring lock washer 10	4	
7	254D.36.104	Sleeve ring	2	
8	304.36.014	Hoop φ53	1	50
9	304.36.103	Seal sleeve	1	
10	304.36.015	Hoop φ48	1	50
11	304.36.016	Rear housing	1	
12	GB/T5783-2000-M8×25	Hex. head bolt M8×25	3	
13	GB/T879.1-2000-4×30	Slotted spring pin 4×30	3	
14	GB/T343-1994-I-1.4	Steel wire I-1.4	need	
15	304.36.108	Rubber cover	2	
16	304.36.101	Support sleeve	2	
17	GB/T308-2002-9	Steel ball 9	12	
18	GB/T5783-2000-M8×20	Hex. head bolt M8×20	3	
19	354.36.011	Transmission shaft	1	
20	304.36.104	Blocking ring (2)	2	
21	304.36.105	Spring	1	
22	304.36.106	Seal blocking ring	1	
23	304.36.107	Rear connecting-sleeve	1	
24	304G2.36.102	Rear mid-shaft	1	
25	GB/T3452.1-1992-48.7×3.55	O-ring seal 48.7×3.55	2	

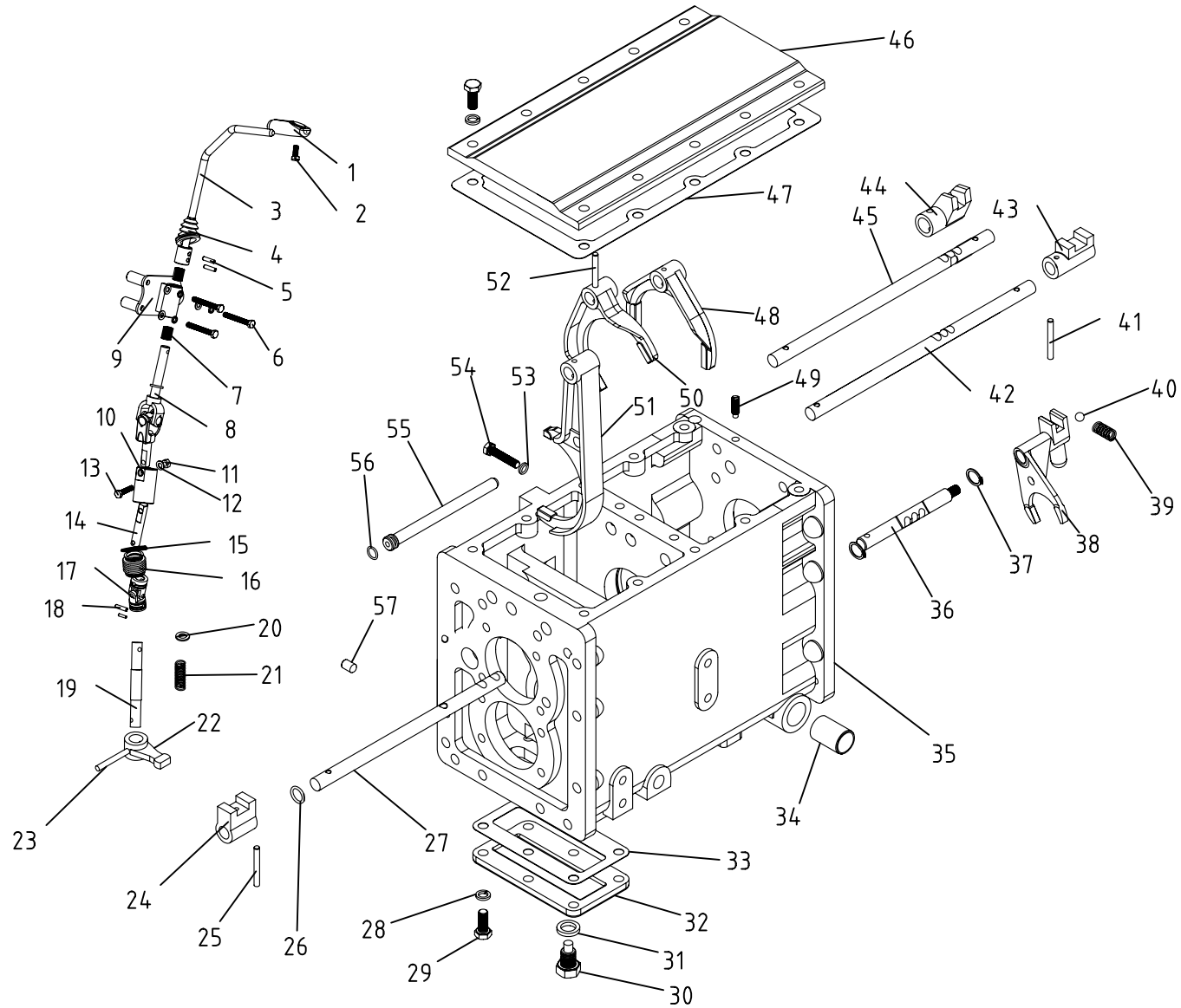
## 11 Transmission shaft

续表

Ser.No.	Part No.	Name & Specifications	Quantity	Remarks
26	GB/T5783-2000-M10×25	Hex. head bolt M10×25	2	
27	304.36.109	Mid-shaft seat	1	
28	JB/T7940.1-1995-M10×1	Grease cup M10×1	1	
29	304.36.110	Paper gasket	1	
30	HG4-692-67-PG25×42×10	Oil seal PG25×42×10	1	
31	GB/T276-1994-6205-Z	Ball bearing with shields 6205-Z	1	
32	304.36.113	Connecting sleeve	1	
33	254G2.36A.104	Mid-shaft housing	1	

# 12.1 Gearbox (A)

404G2-E. 37. 001



## 12. 1 Gearbox (A)

Ser.No.	Part No.	Name & Specifications	Quantity	Remarks
1	504G3.29.020	Shift level handle	1	
2	GB/T 845-1985-ST4.2×13	Bolt ST4.2×13	1	
3	504G3-E.29.019	Shift level	1	
4	504G3.29.131	Dust cap	1	
5	GB/T879.1-2000-(6+4)×26	Slotted spring pin(6+4)×26	2	
6	GB/T5783-2000-M8×60	Hex. head bolt M8×60	3	
7	JB/T7918-1997-K15×19×17	Needle roller bearing K15×19×17	2	
8	404G2-6F.37.016	Gimbal	1	
9	404G2-6F.37.017	Automotive frame	1	
10	404G2-6F.37.125	Adjusting plate	1	
11	GB/T6170-2000-M8	Hexagon nut M8	1	
12	GB/T97.1-2002-8	Plain washer 8	3	
13	GB/T5783-2000-M8×35	Hex. head bolt M8×35	1	
14	404G2-6F.37.122	Joint shaft	1	
15	504G3.29.112	Circlip for shaft 28	2	
16	504G3.29.127	Safety cover	1	
17	504G3.29.015	Gimbal I	1	
18	GB/T879.1-2000-(6+4)×28	Slotted spring pin(6+4)×28	2	
19	404G2-6F.37.121	Joint shaft	1	
20	GB/T97.1-2002-16	Chamfered plain washer 16	1	
21	304G2.37.118-1	Pressure spring	1	
22	304G2.37.120	Sliding lever	2	
23	GB/T879.1-2000-(6+4)×30	Slotted spring pin (6+4) ×30	1	
24	304G2.37.128	Patrol sliding block	1	
25	GB/T879.1-2000-5×32	Slotted spring pin 5×32	1	

## 12.1 A) Gearbox (A)

Ser.No.	Part No.	Name & Specifications	Quantity	Remarks
26	GB/T3452.1-1992-15×2.65	O-ring seal 15×2.65	3	
27	304G2.37.129	Patrol fork shaft	1	
28	GB/T93-1987-10	Spring lock washer 10	16	
29	GB/T5783-2000-M10×25	Hex. Head bolt M10×25	16	
30	200.38.024	Oil drain plug	1	
31	JB-FT-CU-16	Combined seal washer 16	1	
32	300.37.150	Bottom cover	1	
33	300.37.151	Paper gasket	1	
34	200.38.144-3	Bush	3	
35	404G2-6F.37.110	Gearbox housing	1	
36	404G2-6F.37.105	Range gear shift fork shaft	1	
37	GB/T894.1-1986-15	Circlip for shaft 15	2	
38	404G2-6F.37.103	Shifting fork high - low speed range	1	
39	200.37.127-1	Positioning spring, shift fork	4	
40	GB/T308-2002-9.5	Steel ball 9.5	4	
41	GB/T879.4-2000-6×24	Slotted spring pin 6×24	2	
42	404G2-6F.37.106	Shaft, I - II shift fork	1	
43	404G2-6F.37.102	Intermediate Sliding block	1	
44	404G2-6F.37.101	Right Sliding block	1	
45	404G2-6F.37.107	Shaft, III-IV shift fork	1	
46	304G2.37.103	Gearbox cover	1	
47	304G2.37.102	Paper gasket , gearbox cover	1	
48	304G2.37.114	I - II Fork	1	
49	GB/T75-1985-M8×30	Blot M8×30	1	

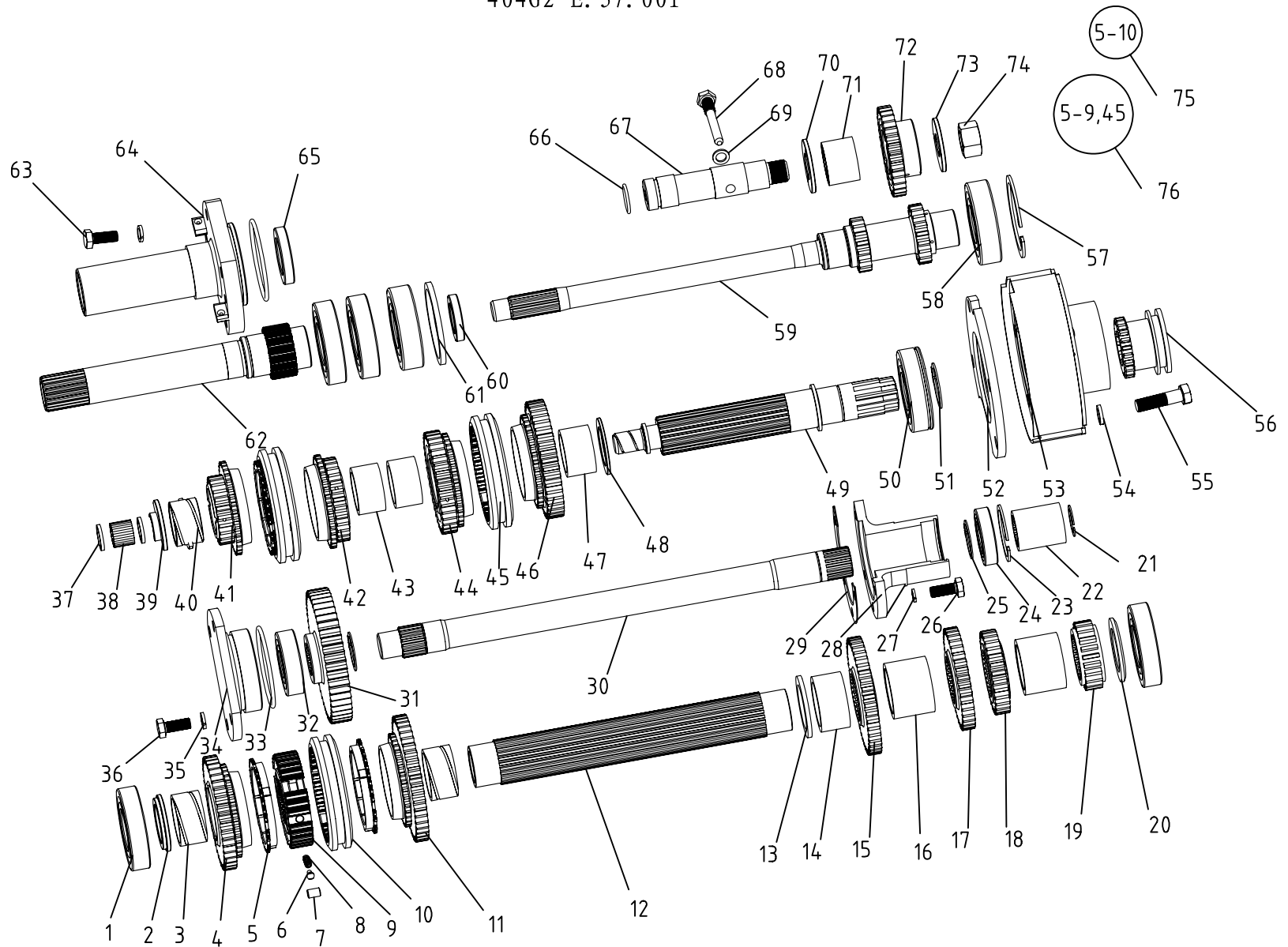


### 12.1 (A) Gearbox (A)

Ser.No.	Part No.	Name & Specifications	Quantity	Remarks
50	304G2.37.112	III-IV Fork	1	
51	304G2.37.130	Patrol fork	1	
52	GB/T879.1-2000-5×26	Slotted spring pin 5×26	7	
53	JB-FT-CU-12	Combined seal washer 12	1	
54	GB/T5783-2000-M12×25	Hex. head bolt M12×25	1	
55	304G2.37.155	Patrol fork middle shaft	1	
56	GB/T3452.1-1992-11.2×2.65	O-ring seal 11.2×2.65	1	
57	450.37.102	Mutual locking plunger	1	

# 12.2 Gearbox (B)

404G2-E. 37. 001



### 12.2 (B) Gearbox (B)

Ser.No.	Part No.	Name & Specifications	Quantity	Remarks
1	GB/T276-1994-6208	Ball bearing 6208	4	
2	304G2.37.143	Front spacer sleeve, patrol	1	
3	304G2.37.141	Big bush	2	
4	304G2.37.018	Driven gear, patrol	1	
5	450.37.204	Synthronization ring	6	
6	450.37.207	Bracket	9	
7	450.37.208	Stop pin	9	
8	450.37.206	Spring	9	
9	304G2.37.142	Synchronizing gear seat	1	
10	450.37.202	Sliding gear sleeve	3	
11	304G2.37.017	Driven gear, advance	1	
12	304G2.37.135	Counter-shaft	1	
13	304G2.37.140	Rear spacer, patrol	1	
14	304G2.37.139	Short spacer	1	
15	304G2.37.138	Driving gear, IV Speed	1	
16	304G2.37.134	Long spacer	2	
17	304G2.37.137	Driving gear, III Speed	1	
18	304G2.37.136	Driving gear, II Speed	1	
19	304G2.37.133	Driving gear, I Speed	1	
20	280.37.111	Rear retaining ring, counter-shaft	1	
21	GB/T893.1-1986-28	Circlip for shaft 28	1	
22	300.37.132-1	Transmission shaft	1	
23	GB/T893.1-1986-55	Circlip for shaft 55	1	
24	GB/T276-1994-6006	Ball bearing 6006	1	
25	GB/T894.1-1986-30	Circlip for shaft 30	1	

## 12.2 (B) Gearbox (B)

Ser.No.	Part No.	Name & Specifications	Quantity	Remarks
26	GB/T5783-2000-M8×25	Hex. Head bolt M8×25	4	
27	GB/T93-1987-8	Spring lock washer 8	6	
28	280.37.110	Rear bearing cover,counter-shaft	1	
29	280.37.200/201	Adjusting washer	按需	need
30	304G2.37.132	PTO transmission shaft	1	
31	300.37.149-A	PTO transmission gear(1000/540)	1	
32	GB/T276-1994-6305	Ball bearing 6305	1	
33	GB/T3452.1-1992-73×3.55	O-ring seal 73×3.55	2	
34	304G2.37.144	Front bearing cover,counter-shaft	1	
35	GB/T93-1987-10	Spring lock washer 10	14	
36	GB/T5783-2000-M10×25	Hex. Head bolt M10×25	10	
37	200.37.105	Thrust washer,roller	2	
38	GB/T309-2000-2.5×19.8	Needle roller 2.5×19.8	28	
39	304G2.37.110	Front spacer,main shift	1	
40	304G2.37.111	Thin bush	1	
41	304G2.37.011	Driven gear,IV Speed	1	
42	304G2.37.012	Driven gear,III Speed	1	
43	304G2.37.113	Short Bush	2	
44	304G2.37.013	Driven gear, II Speed	1	
45	450.37.203	Synchronizing gear seat	2	
46	304G2.37.014	Driven gear, I Speed	1	
47	304G2.37.115	Long bush	1	
48	304G2.37.116	Rear spacer,main shift	1	
49	304G2.37.131	Shaft II	1	

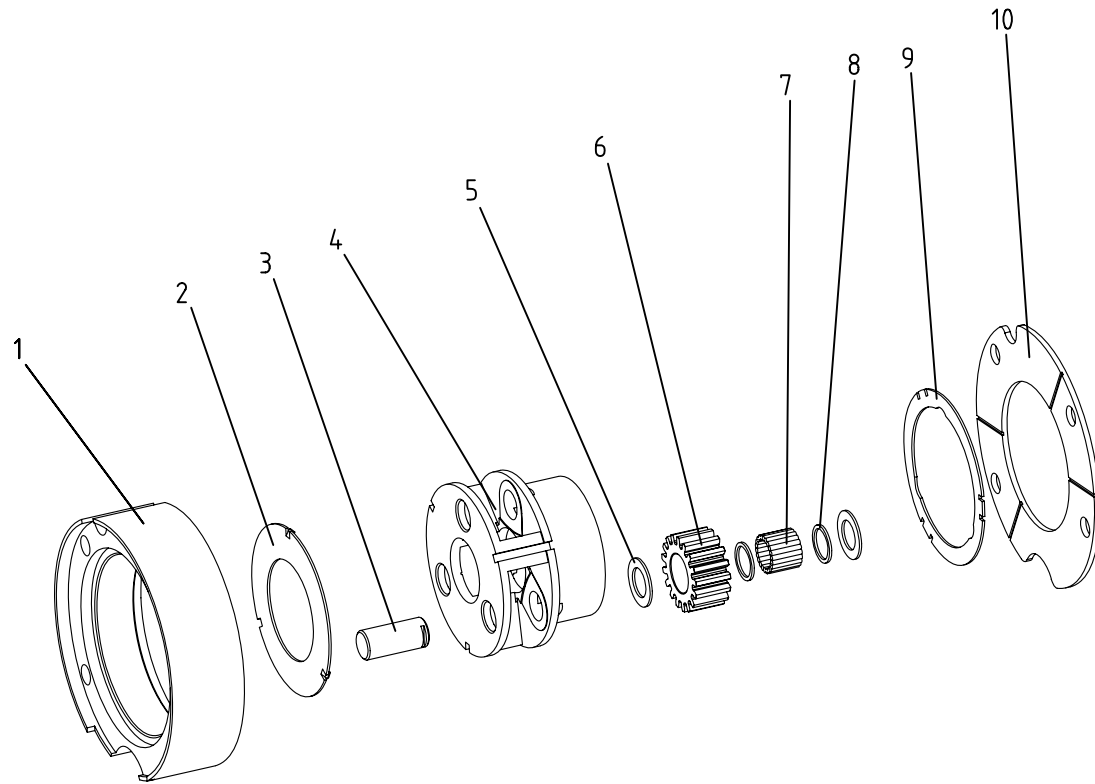
## 12.2 (B) Gearbox(B)

Ser.No.	Part No.	Name & Specifications	Quantity	Remarks
50	GB/T276-1994-6307N	Snap ring ball bearing 6307N	1	
51	GB/T894.1-1986-35	Circlip for shaft 35	1	
52	404G2-6F.37.108	Rear bearing cover , Shaft II	1	
53	404G2-6F.37.011	Planet mechanism	1	
54	GB/T93-1987-12	Spring lock washer 12	4	
55	GB/T5782-2000-M12×70	Hex. head bolt M12×70	4	
56	200.37.212	Sliding gear	1	
57	GB/T305-1989-80	stopper ring 80	1	
58	GB/T276-1994-6307	Ball bearing 6307	2	
59	304G2.37A.102	Constant-mesh gear , shaft I	1	
60	300.37.107-2	Oil seal	1	
61	304G2.37.145	Spacer	1	
62	300.37.103-A	Input shaft (1000/540)	1	
63	GB/T5783-2000-M10×30	Hex. head bolt M10×30	4	
64	404G2-6F.37.109-1	Front bearing cover , shaft I	1	
65	JB/T2600-1980-SG35×55×10	Oil seal SG35×55×10	1	
66	GB/T3452.1-1992-25×2.65	O-ring seal 25×2.65	1	
67	304G2.37.105	Middle Gear Shaft	1	
68	304G2.37.104	Block pin,middle gear shaft	1	
69	JB-FT-CU-10	Washer 10	1	
70	304G2.37.106	Front spacer,middle gear shaft	1	
71	GB/T276-1994-6534905	Needle roller bearing6534905	1	
72	304G2.37.108	Middle gear,patrol	1	
73	304G2.37.109	Front spacer,middle gear shaft	1	

### 12.2 (B) Gearbox (B)

Ser.No.	Part No.	Name & Specifications	Quantity	Remarks
74	GB/T6171-2000-M16×1.5-L	Hex. nut M16×1.5-L	1	
75	304G2.37.200	Synchronizer assy	1	
76	450.37.200	Synchronizer assy	2	

12.3  
Planet Mechanism System  
404G2-6F. 37. 011



### 12.3 Planet Mechanism System

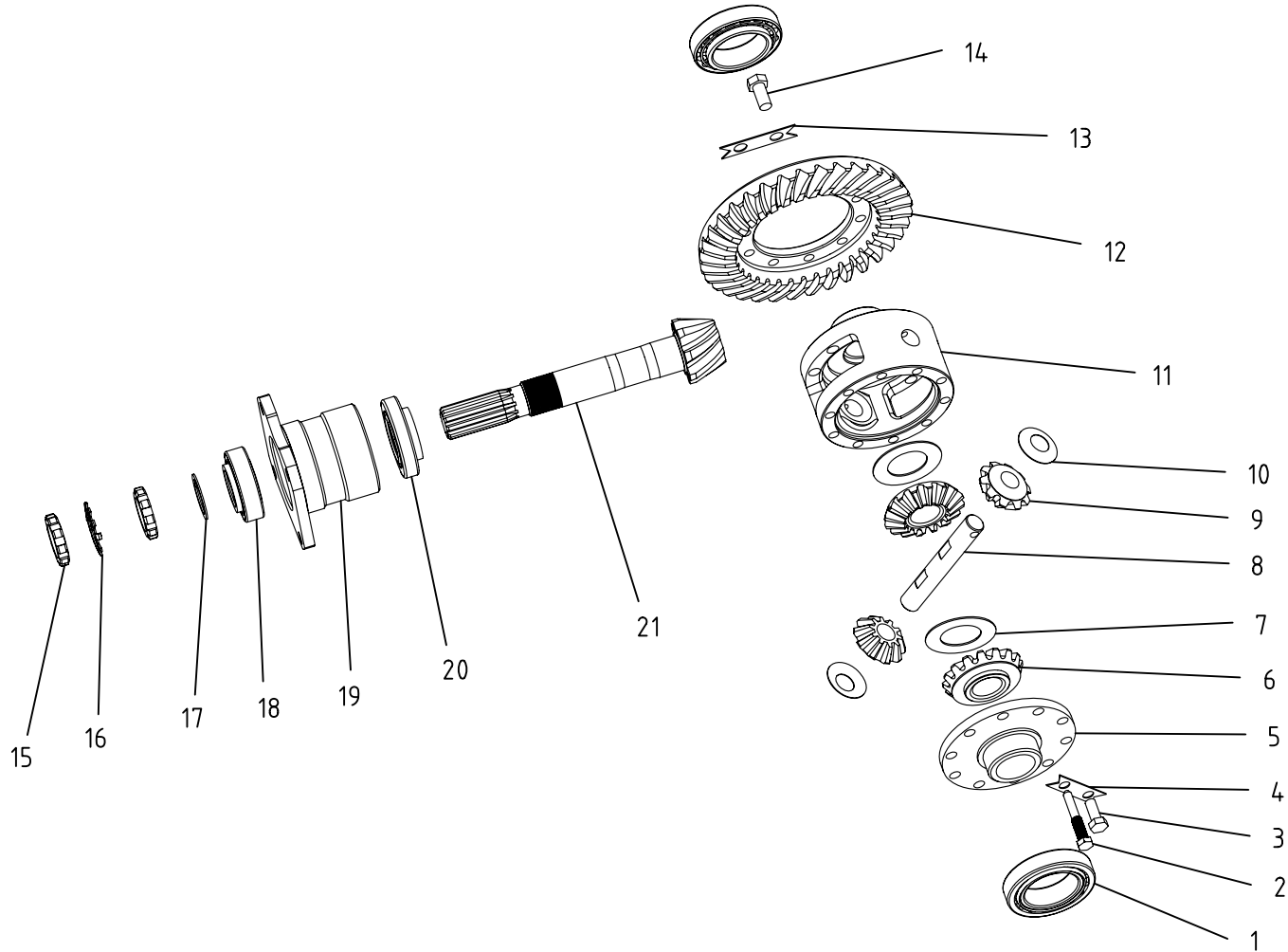
Ser.No.	Part No.	Name & Specifications	Quantity	Remarks
1	404G2-6F.37.111	Ring gear	1	
2	404G2-6F.37.112	Rear cover , planet carrier	1	
3	200.37.202	Planet gear shaft	3	
4	200.37.021	Planet carrier	1	
5	200.37.204	Shim ,Planet gear	6	
6	200.37.207	Planet gear	3	
7	GB/T309-2000-3×19.8	Needle roller 3×19.8	66	
8	200.37.203	Needle bearing retainer	6	
9	200.37.205	Rear shim , planet carrier	1	
10	200.37.201	Front shim , planet carrier	1	



# 13.1

## Rear Axle (A)

304G2-6F. 38. 001



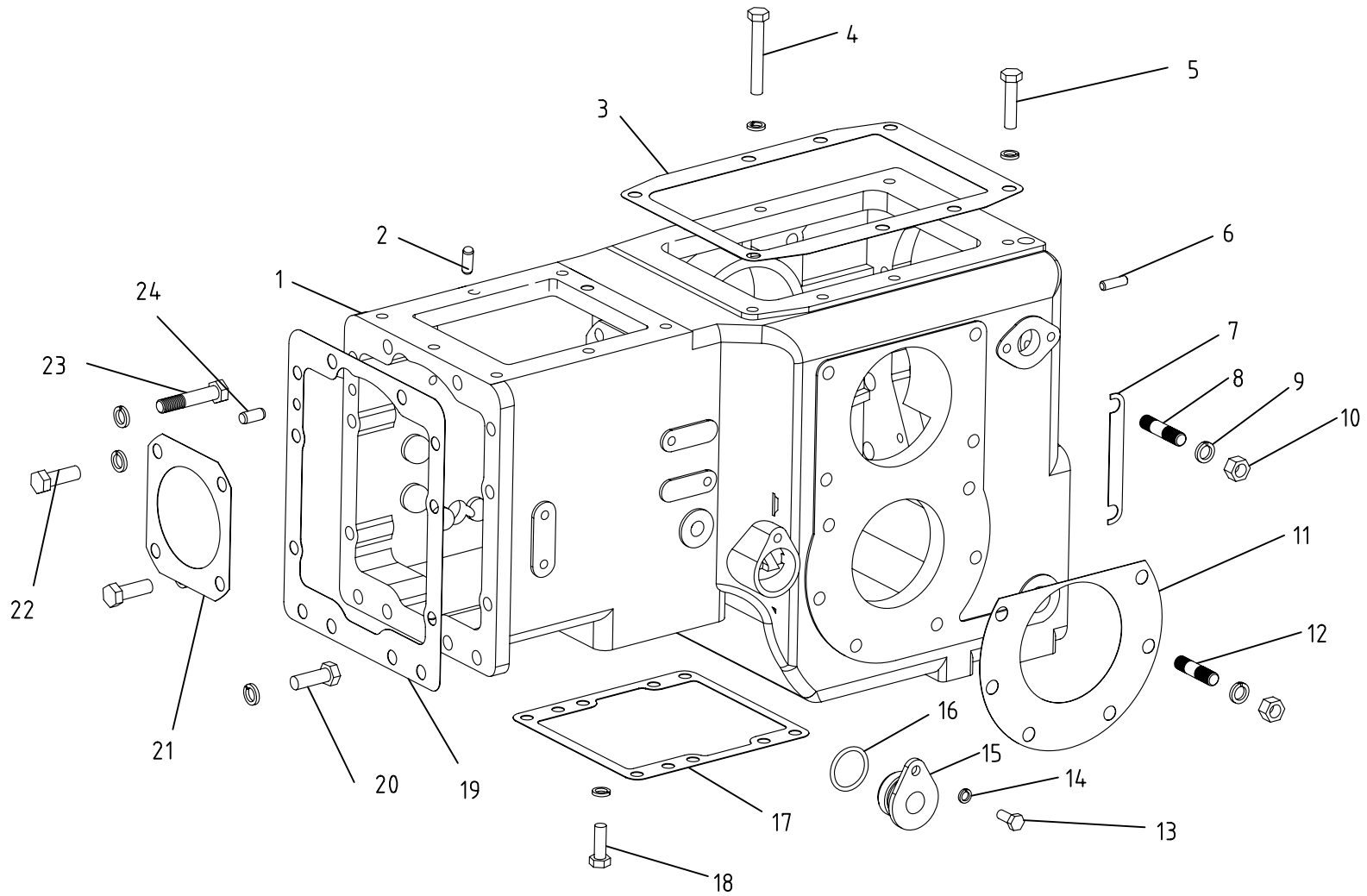
### 13.1 Rear Axle(A)

Ser.No.	Part No.	Name & Specifications	Quantity	Remarks
1	GB/T297-1994-32011	Tapered roller bearing 32011	2	
2	200.38.126	Fixing bolt, planet gear shaft	1	
3	GB/T5783-2000-M10×25	Hex. head bolt M10×25	9	
4	200.38.125	Lock piece	5	
5	200.38.017	Differential case cover	1	
6	200.38.120	Half shaft gear	2	
7	200.38.123	Shim halfshaft gear	2	
8	300.38.143	Planet gear shaft	1	
9	200.38.119A	Planet gear	2	
10	200.38.122A	Planet gear shim	2	
11	200.38.018	Differential case	1	
12	250.38.118A	Spiral crown gear	1	
13	200.38.149	Lock piece	5	
14	GB/T5785-2000-M12×1.5×25	Hex. head bolt M12×1.5×25	10	
15	200.38.130	Lock nut	2	
16	200.38.131	Lock washer	1	
17	200.38.134	Lock piece	1	
18	GB/T297-1994-32207	Tapered roller bearing 32207	1	
19	250.38.128A	Bearing seat spiral bevel pinion	1	
20	GB/T297-1994-31307	Tapered roller bearing 31307	1	
21	304G2.38.110	Shank-type spiral bevel pinion	1	

# 13.2

## Rear Axle (B)

304G2-6F. 38. 001

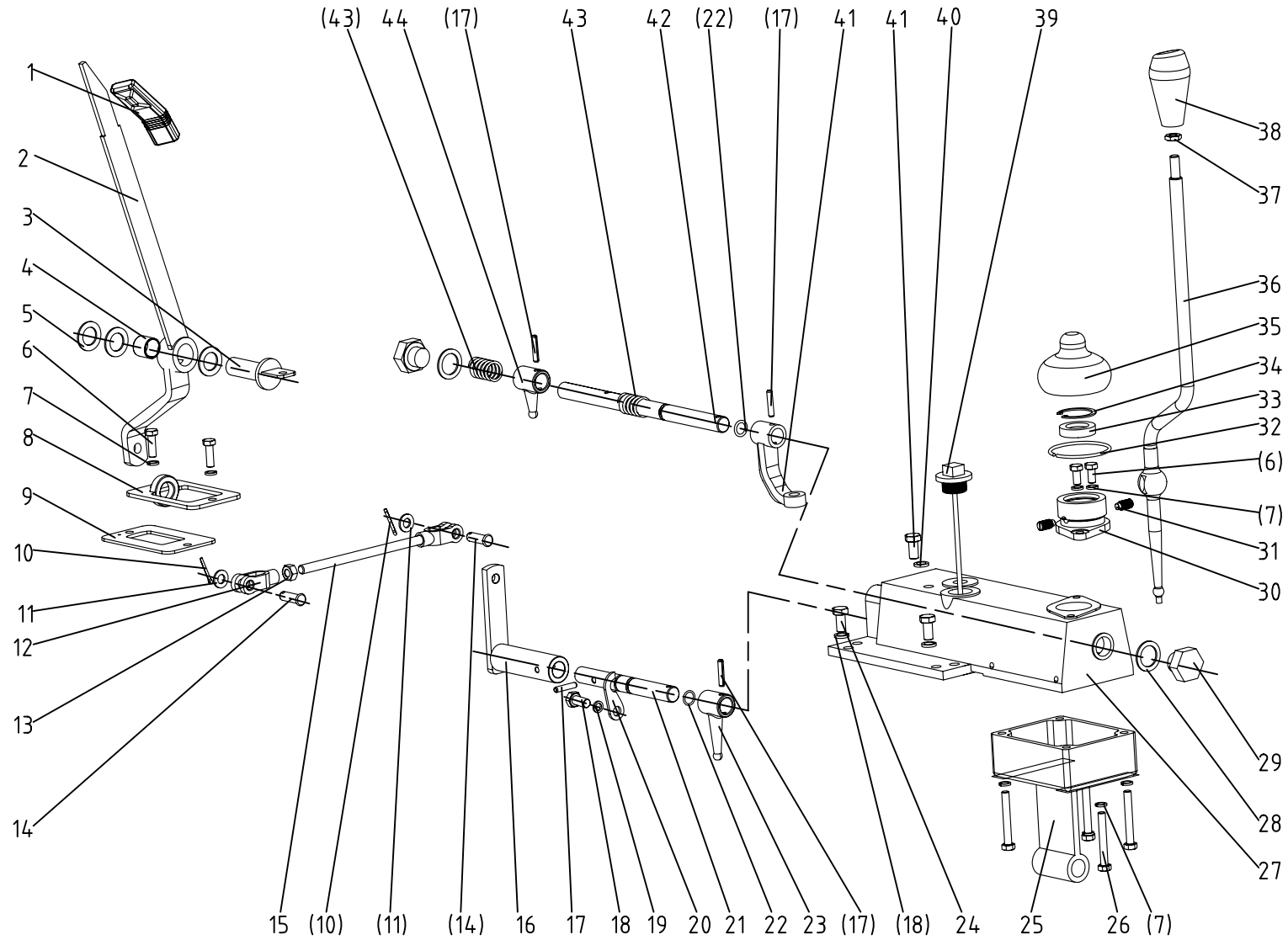


### 13.2 Rear Axle (B)

Ser.No.	Part No.	Name & Specifications	Quantity	Remarks
1	304G2-6F.38.101	Rear axle case	1	
2	GB/T119.1-2000-10×20	Parallel pin 10×20	2	
3	200.38.105	Paper gasket lift housing	1	
4	GB/T5783-2000-M10×70	Hex. head bolt M10×70	1	
5	GB/T5783-2000-M10×45	Hex. head bolt M10×45	7	
6	GB/T119.1-2000-B8×26	Parallel pin B8×26	2	
7	200.38.109	Adjusting shims,spiral crown gear	4组 four sets	
8	GB/T898-1988-AGM12×38	Double end stud AGM12×38	8	
9	GB/T93-1987-12	Spring lock washer 12	35	
10	GB/T6170-2000-M12	Hex. nut M12	20	
11	280.38.107	Paper gasket	2	
12	GB/T898-1988-AGM12×35	Stud AGM12×35	12	
13	GB/T5783-2000-M8×20	Hex. head bolt M8×25	1	
14	GB/T93-1987-8	Spring lock washer 8	1	
15	200.38.160	End cover	1	
16	GB/T3452.1-1992-33.5×3.55	O-ring seal 33.5×3.35	1	
17	300.38.109	Paper gasket small cover ,plate	1	
18	GB/T5783-2000-M10×30	Hex. head bolt M10×30	8	
19	200.38.102	Paper gasket	1	
20	GB/T5783-2000-M12×35	Hex. head bolt M12×35	9	
21	200.38.104	Adjusting shims,spiral bevel pinion	1组 one set	
22	GB/T5786-2000-M12×1.5×35	Hex. head bolt M12×1.5×35	4	
23	GB/T5782-2000-M12×60	Hex. head bolt M12×60	2	
24	GB/T119.1-2000-B8×16	Parallel pin B8×16	2	

# 13.3 Operation Mechanism System

404G2-6F. 38. 011



### 13.3 Operation Mechanism System

Ser.No.	Part No.	Name & Specifications	Quantity	Remarks
1	254G3.37.211	Handle	1	
2	404G2-6F.38.041-1	Range gear shift lever	1	
	404G2-6F.38.041A	Range gear shift lever	1	for EC and AU
3	504G3-3.51.041	Fixed axis(1)	1	
4	504G3.55.218	Sleeve(20×20)	1	
5	504G3-3.51.161	Nylon washer	3	
6	GB/T5783-2000-M8×25	Hex.head bolt M8×25	4	
7	GB/T 93-1987-8	spring lock washer 8	8	
8	504G3-3.51.040	Fixed board(1)	1	
9	504G3-3.51.107	Sealing gasket(4)	1	
10	GB/T91-2000-3.2×24	Split pin 3.2×24	2	
11	GB/T97.1-2002-10	Plain washer 10	2	
12	254G2.43.102	Fork	1	
13	GB/T6170-2000-M10	Hex. nut M10	1	
14	GB/T882-1986-B10×30	Clevis pin with head B10×30	2	
15	404G2-6F.38.043	Secondary change speed pull rod	1	
16	404G2-6F.38.042	Swinging arm	1	
17	GB/T879.1-2000-6×30	Slotted spring pin 6×30	4	
18	GB/T5783-2000-M10×20	Hex.head bolt M10×20	1	
19	GB/T93-1987-10	spring lock washer 10	5	
20	404G2-6F.38.116	Positioning plate	1	
21	404G2-6F.38.111	Secondary change speed swinging axis	1	
22	GB/T3452.1-1992-13.2×2.65	O-ring seal 13.2×2.65	2	
23	404G2-6F.38.112	Secondary shift shifting block	1	
24	GB/T5783-2000-M10×25	Hex.head bolt M10×25	4	

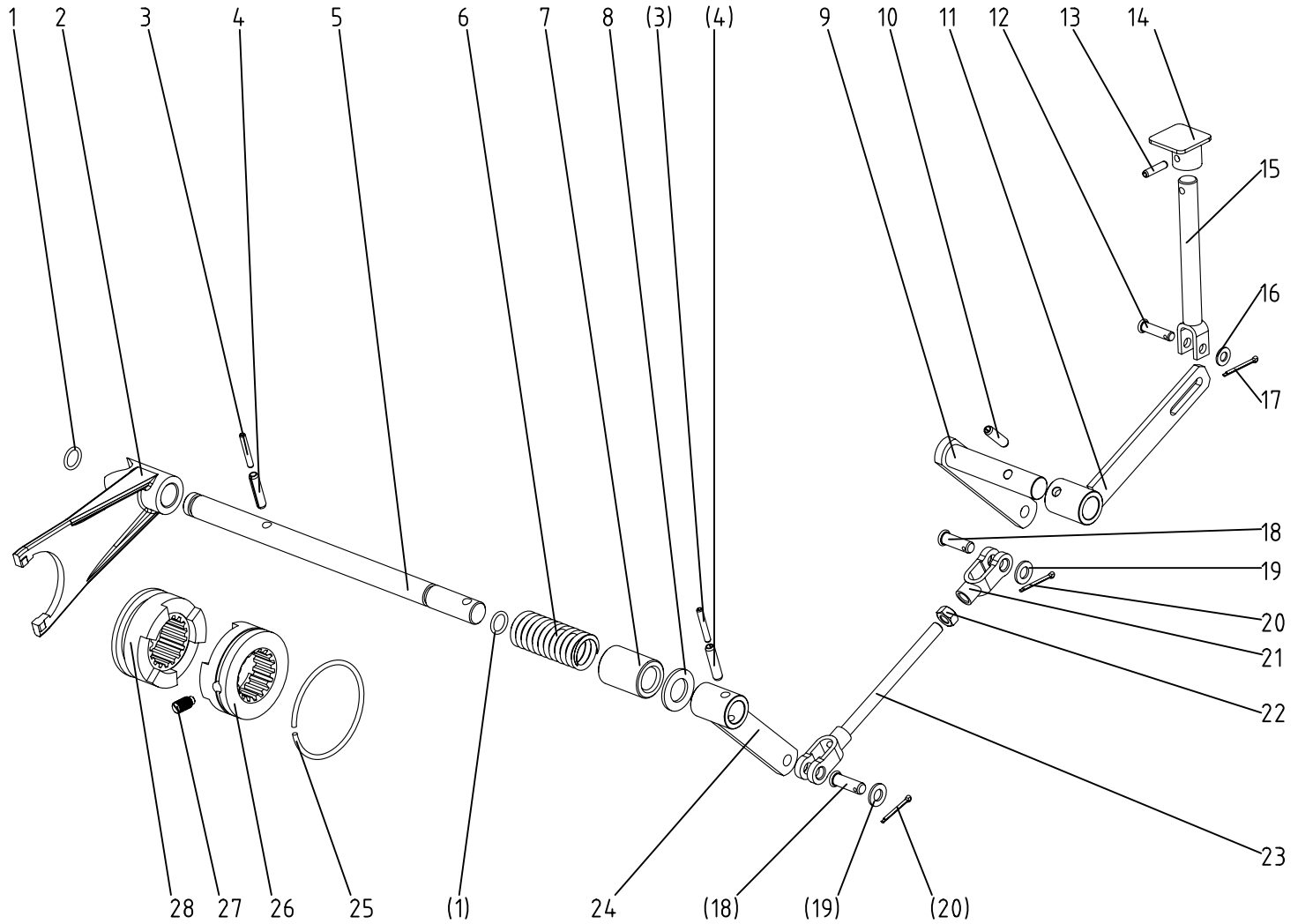
### 13.3 Operation Mechanism System

Ser.No.	Part No.	Name & Specifications	Quantity	Remarks
25	404G2-6F.38.118	Side-control Underneath cover	1	
26	GB/T5782-2000-M8×60	Hex.head bolt M8×60	4	
27	404G2-6F.38.113	Side-control above cover	1	
28	JB-FT-CU-22	Combination washer 22	2	
29	404-11.38C.107	Plug hex.head bolt	2	
30	404-11.38C.115	Gear-shift lever base	1	
31	GB/T75-1985-M8×14	Screw M8×14	2	
32	GB/T3081-1982- I -1.4×260	Galvanized steel wire I -1.40×260	1	
33	404-11.38C.117	Nylon base	1	
34	GB/T893.1-1986-40	Circlip for hole 40	1	
35	300.37.188	Dust boot	1	
36	404G2-6F.38.114	Gear-shift lever	1	
	404G2-6F.38.114A	Gear-shift lever	1	for EC and AU
37	GB/T6172.1-2000-M10	Thin hex. nut M10	1	
38	404G2-6F.38.117	Handle	1	
39	404G2-6F.38.016	Dipstick	1	
40	JB-FT-CU-12	Combination washer 12	1	
41	GB/T5786-2000-M12×1.25×16	螺栓 M12×1.25×16 Hex.head bolt M12×1.25×16	1	
42	404G2-6F.38.120	Outside shifting block	1	
43	404G2-6F.38.115	Shifting lever	1	
44	404-11.38C.105	Spring	2	
45	404G2-6F.38.119	Inner control shifting block	1	

# 13.4

## Differential Lock

304G2-6F. 38. 012





### 13.4 Differential Lock

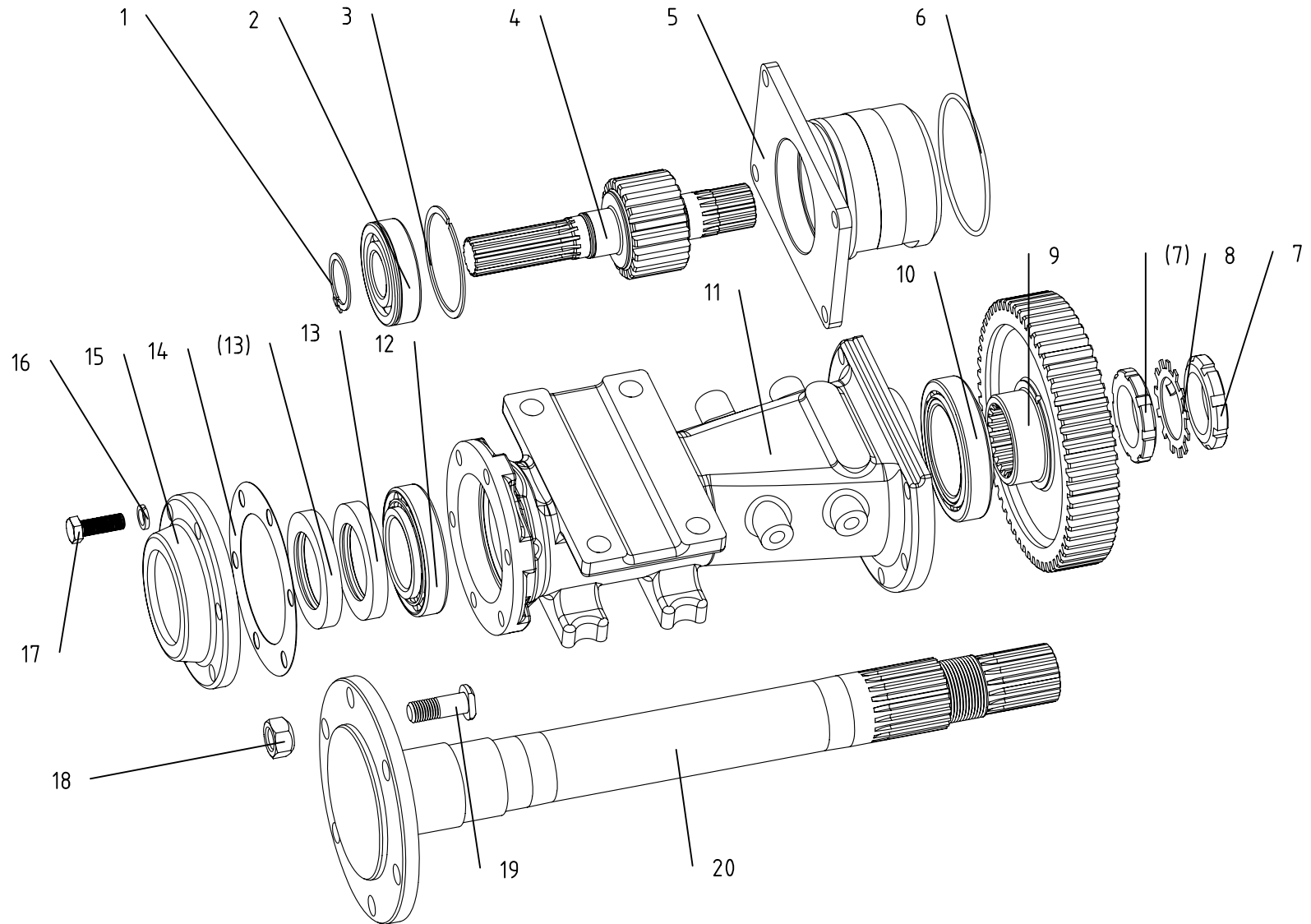
Ser.No.	Part No.	Name & Specifications	Quantity	Remarks
1	GB/T3452.1-1992-15×2.65	O-ring seal 15×2.65	2	
2	200.38.152	Shift fork	1	
3	GB/T879.4-2000-5×35	Slotted spring pin 5×35	2	
4	GB/T879.4-2000-8×35	Slotted spring pin 8×35	2	
5	304G2-6F.38.121	Shift fork shaft	1	
6	280.38.151	Spring	1	
7	280.38.150	Sleeve	1	
8	GB/T97.1-2002-20	Plain washer 20	1	
9	404G2-6F.38.032	Spindle weldment	1	
10	GB/T879.1-2000-8×30	Slotted spring pin 8×30	1	
11	404G2-6F.38.031-1	junction plate	1	
12	GB/T882-1986-B8×24	Clevis pin with head B8×24	1	
13	GB/T879.4-2000-6×26	Slotted spring pin 6×26	1	
14	304G2-6.38.025	Differential lock pedal board	1	
15	304G2-6.38.023	Differential lock pedal lever	1	
16	GB/T97.1-2002-8	Plain washer 8	1	
17	GB/T91-2000-2×20	Split pin 2×20	1	
18	GB/T882-1986-B10×30	Clevis pin with head B10×30	2	
19	GB/T97.1-2002-10	Plain washer 10	2	
20	GB/T91-2000-3.2×24	Split pin 3.2×24	2	
21	254G2.43.102	Fork	1	
22	GB/T6170-2000-M10	Hex. nut M10	1	
23	404G2-6F.55.090	Differential lock pull rod	1	
24	404G2-6F.38.034	Differential lock swinging arm	1	
25	GB/T3081-1982- I -1.4×260	Galvanized steel wire I -1.40×260	1	

### 13.4 Differential Lock

Ser.No.	Part No.	Name & Specifications	Quantity	Remarks
26	280.38.154	Splicing sleeve	1	
27	250D.38.156	Set screw with dog point	1	
28	280.38.155	Jogging sleeve	1	

# 14 Final Transmission

280.39.001

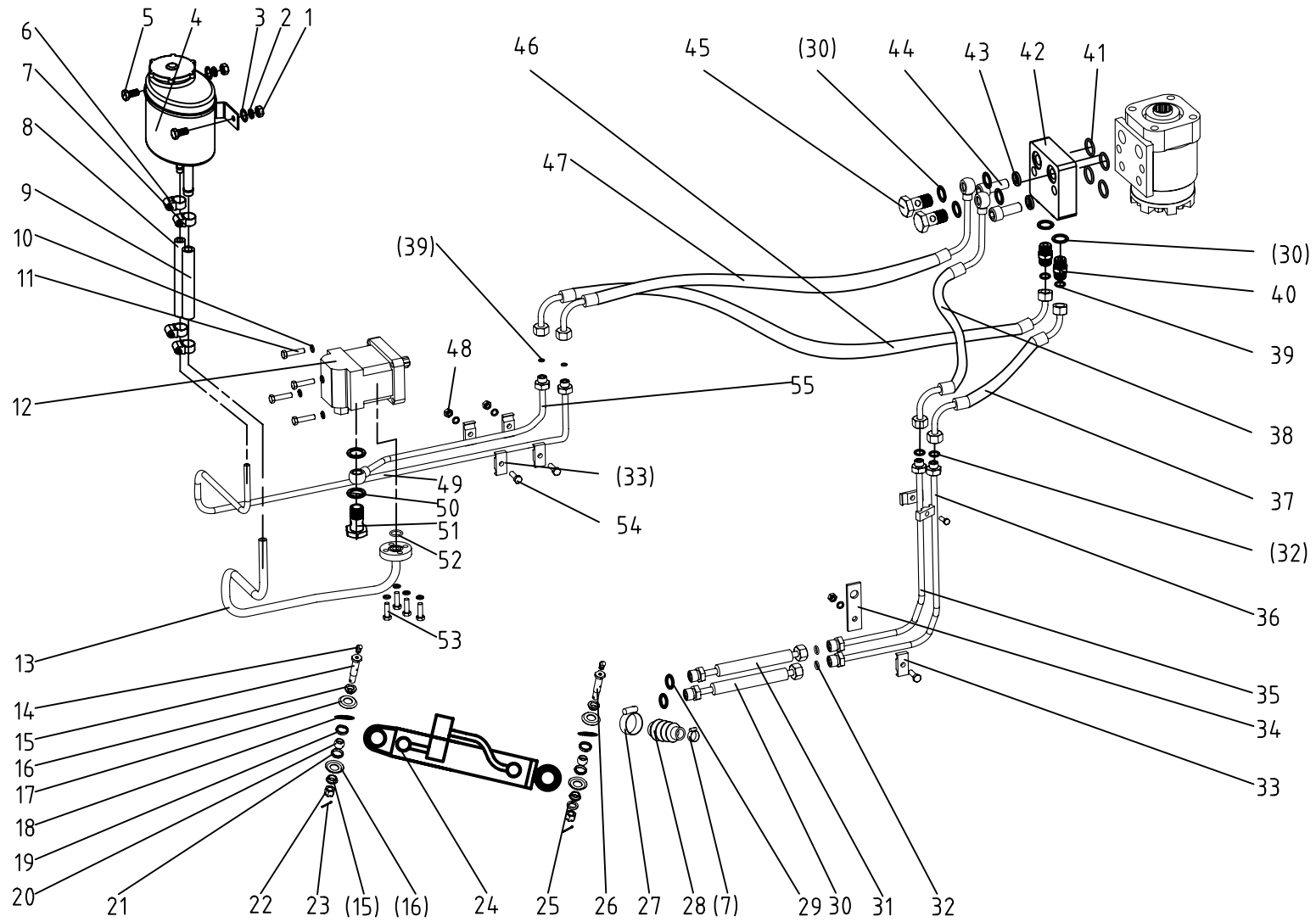


### 14 Final Transmission

Ser. No.	Part No.	Name & Specifications	Quantity	Remarks
1	GB/T894.1-1986-35	Circlip for shaft 35	1	
2	GB/T276-1994-6307N	Snap ring ball bearing 6307N	1	
3	GB/T305-1998- 80/86.6	Snap ring 80/86.6	1	
4	280.39.105	Driving gear	1	
5	280.39.107	Bearing seat	1	
6	GB/T3452.1-1992-103×3.55	O-ring seal 103×3.55	1	
7	300.39.114	Lock nut	2	
8	300.39.115	Lock pieces	1	GB/T858-1988-48
9	280.39.109	Driven gear	1	
10	GB/T297-1994-32014	Tapered roller bearing 32014	1	
11	280.39.103	Half shaft housing	1	
12	GB/T297-1994-30211	Tapered roller bearing 30211	1	
13	HG4-692-67-SD60×90×12	Oil seal SD60×90×12	2	
14	200.39.110	Paper gasket	1	
15	200.39.102	Bearing cover	1	
16	GB/T93-1987-12	Spring lock washer 12	6	
17	GB/T5783-2000-M12×35	Hex. head bolt M12×35	6	
18	300.39.101	Rear hub nut	6	
19	300.39.102	Rear hub bolt	6	
20	280.39.101	Half shaft	1	

# 15.1 Full Hydraulic Power Steering Gear

404G2-E. 40. 001



### 15.1 Full Hydraulic Power Steering Gear

Ser.No.	Part No.	Name & Specifications	Quantity	Remarks
1	GB/T6170-2000-M10	Hex.nut M10	2	
2	GB/T93-1987-10	Spring lock washer 10	2	
3	GB/T97.1-2002-10	Plain washer 10	2	
4	254G2.40.015-2	Oil tank	1	
5	GB/T5783-2000-M10×20	Hex.head bolt M10×20	2	
6	JB/T8870-1999-2A(13-20)	Hoop 2A (13-20)	2	
7	JB/T8870-1999-2A(16-20)	Hoop 2A (16-20)	3	
8	JB/T6015-2000-10-200	Rubber pipe 10-200	1	
9	JB/T6015-2000-13-200	Rubber pipe 13-200	1	
10	GB/T93-1987-8	Spring lock washer 8	10	
11	GB/T5783-2000-M8×35	Hex.head bolt M8×35	4	
12	HLCB-D04-06	Constant flow pump	1	
13	304G2-6E.40.023	Oil delivery pipe weldment	1	
14	JB/T7940.2-1995-45°M10×1	Grease nipple 45°M10×1	2	
15	304.40.127	Pin	1	
16	304.40.130	Circlip stop ring	4	
17	304.40.128	Dustproof cover	4	
18	GB/T893.1-1986-30	Circlip for shaft 30	2	
19	304.40.126	Upper ball saet	2	
20	304.40.129	Ball connector	2	
21	304.40.125	Lower ball seat	2	
22	GB/T6181-1986-M14×1.5	Hex. nut M14×1.5	2	
23	GB/T91-2000-3.2×24	Split pin 3.2×24	2	
24	304-6.40A.021-1	Steering cylinder assy	1	
25	GB/T93-1987-14	Spring lock washer 14	1	

## 15.1 Full Hydraulic Power Steering Gear

Ser.No.	Part No.	Name & Specifications	Quantity	Remarks
26	254G2.40A.130	Pin	1	
27	JB/T8870-1999-2A (44-64)	Hoop 2A (44-64)	1	
28	304.40A.132	Rubber jacket	1	
29	JB-FT-CU-16	Combination washer 16	8	
31	254-5A.40.011	Hose assy	1	
31	254-8.40.016	Hose assy	1	
32	GB/T3452.1-1992-10.6×2.65	O-ring seal 10.6×2.65	4	
33	254-8.40.109	Pipe nip	8	
34	404-6.40.101	Oil pipe fixed clip	1	
35	304G2-E.40.016	Steering cylinder pipe(1)	1	
36	304G2-E.40.015	Steering cylinder pipe(2)	1	
37	404G2-E.40.014	Hose assy(B)	1	
38	404G2-E.40.013	Hose assy(A)	1	
39	GB/T3452.1-1992-7.5×1.8	O-ring seal 7.5×1.8	6	
40	504G3.40.102	Connetor	2	
41	GB/T3452.1-1992-20×2.65	O-ring seal 20×2.65	4	
42	504G3.40.101	Valve	1	
43	GB/T93-1987-12	Spring lock washer 12	2	
44	GB/T70.1-2000-M12×30	Hex.head bolt M12×30	2	
45	JB/T6013-2000-M16×1.5	Hollow bolt M16×1.5	2	
46	304G2-E.40.013	Oil delivery hose assy	1	
47	304G2-E.40.014	Oil return hose assy	1	
48	GB/T6170-2000-M8	Hex.nut M8	4	
49	304G2-E.40.012	Oil return pipe weldment	1	

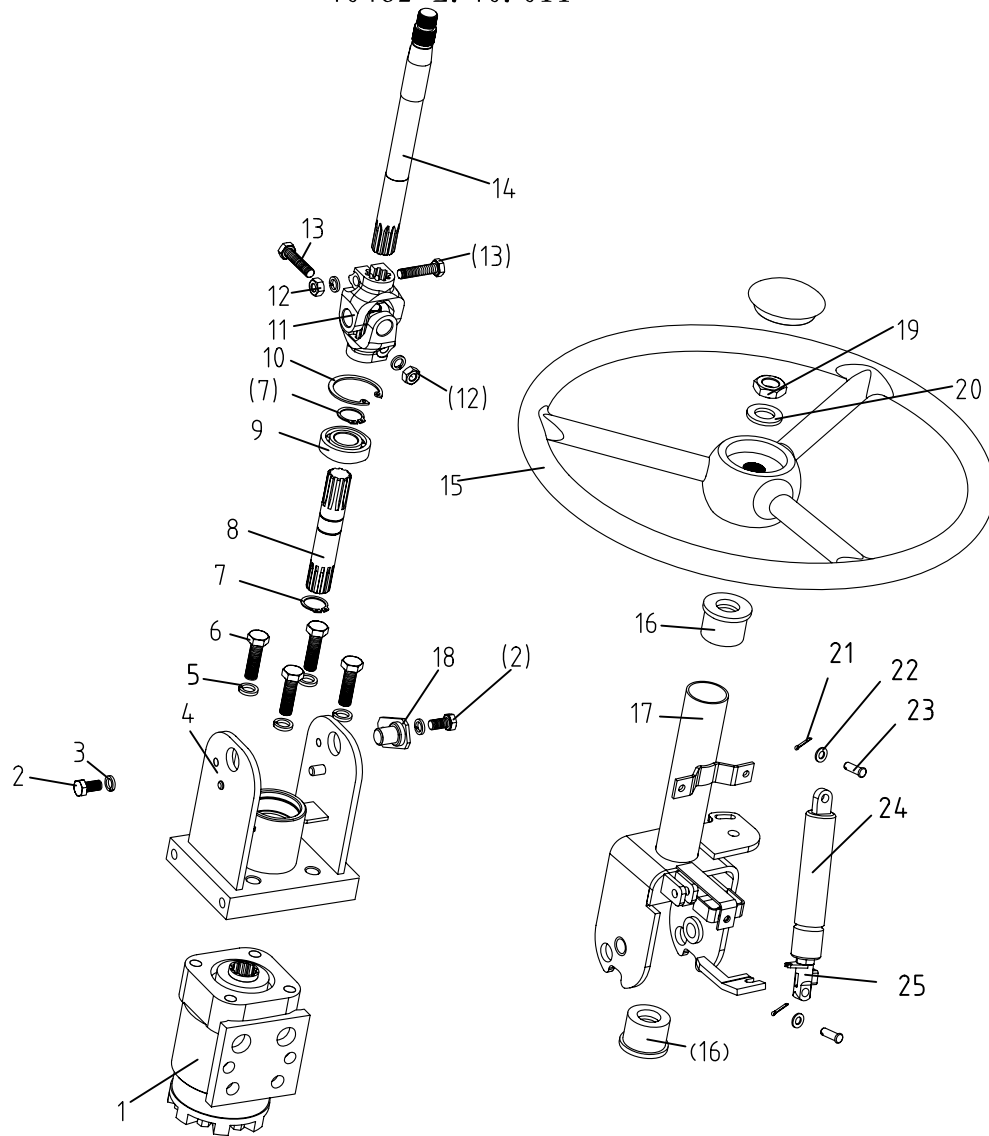
### 15.1 Full Hydraulic Power Steering Gear

Ser.No.	Part No.	Name & Specifications	Quantity	Remarks
50	JB-FT-CU-18	Combination washer 18	2	
51	250D.58.118	Hollow bolt M18×1.5	1	
52	GB/T3452.1-1992-18×2.65	O-ring seal 18×2.65	1	
53	GB/T5783-2000-M8×40	Hex.head bolt M8×40	2	
54	GB/T5783-2000-M8×30	Hex.head bolt M8×30	4	
55	304G2-E.40.011	Oil delivery pipe weldment	1	



# 15.2 Steering System

404G2-E. 40. 011



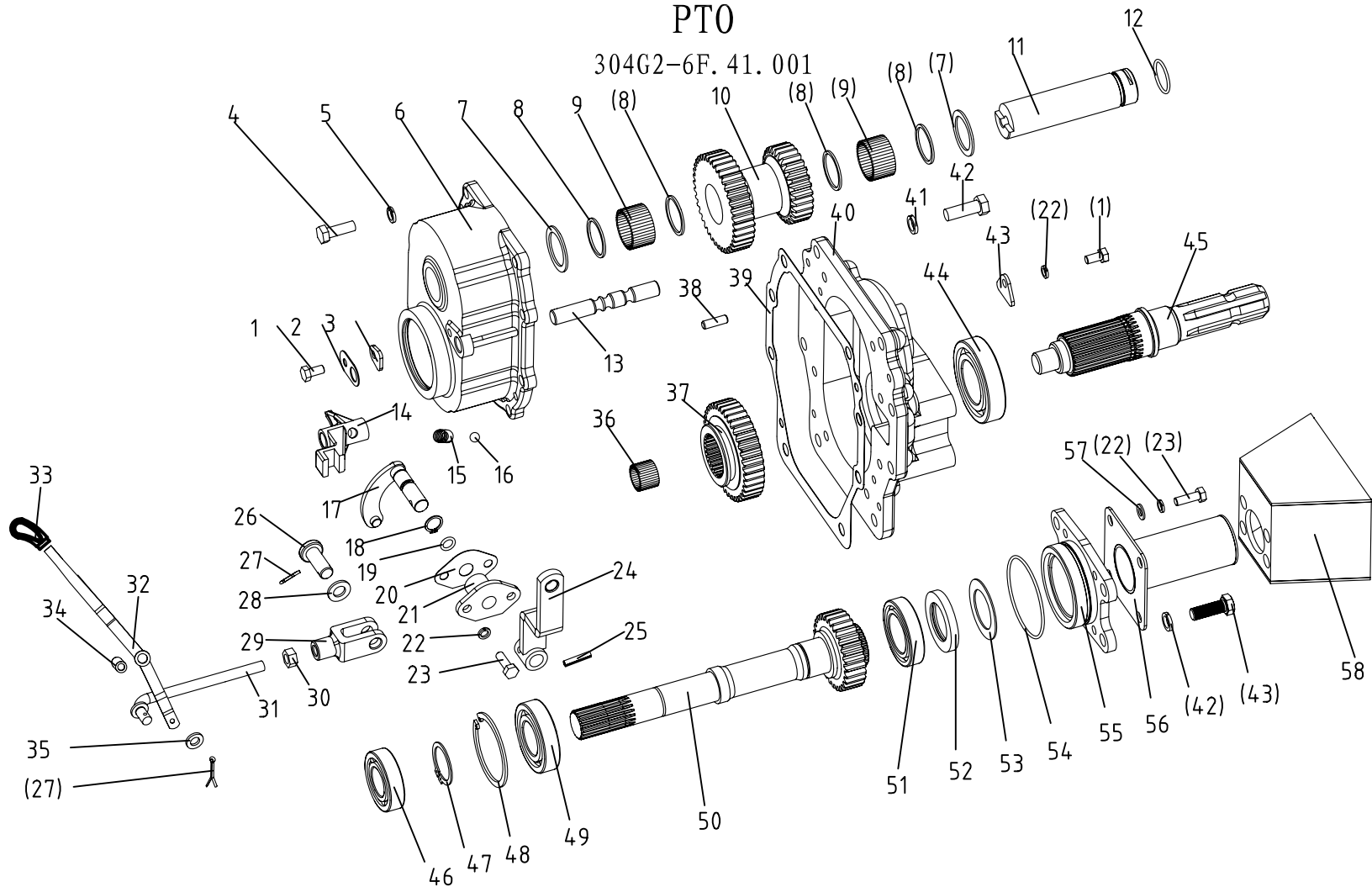
### 15.2 (B) Full Hydraulic Power Steering Gear(B)

Ser.No.	Part No.	Name & Specifications	Quantity	Remarks
1	102S-1-50-07-D	Hydraulic steering gear	1	
2	GB/T5783-2000-M8×16	Hex. head bolt M8×16	2	
3	GB/T93-1987-8	Spring lock washer 8	4	
4	504G3-E.40.021	Pedestal	1	
5	GB/T93-1987-10	Spring lock washer 10	4	
6	GB/T5783-2000-M10×35	Hex. head bolt M10×35	4	
7	GB/T894.1-1986-20	Circlip for shaft 20	2	
8	504G3.40.137	Spline	1	
9	GB/T276-1994-6004-2Z	Ball bearing 6004-2Z	1	
10	GB/T893.1-1986-42	Circlip for shaft 42	1	
11	504G3.40.037	Gimbal	1	
12	GB/T6170-2000-M8	Hex. nut M8	4	
13	GB/T5783-2000-M8×35	Hex. head bolt M8×35	2	
14	504G3.40.157	Steering shaft	1	
15	550-1.40A.017	Steering wheel assy	1	
16	304.40.112	Rubber sleeve	2	
17	504G3-E.40.022	Bracket weldment	1	
18	504G3.40.033	Pin(2)	1	
19	GB/T6173-2000-M16×1.5	Hex. nut M16×1.5	1	
20	GB/T97.1-2002-16	Plain washer 16	1	
21	GB/T91-2000-3.2×18	Split pin 3.2x18	2	
22	GB/T97.1-2002-8	Plain washer 8	2	
23	GB/T882-1986-B8×28	Clevis pin with head B8×28	2	
24	5206HX	Gas spring	1	
25	132543	Release lever	1	

16

PTO

304G2-6F. 41. 001



16 PTO

Ser.No.	Part No.	Name & Specifications	Quantity	Remarks
1	GB/T5783-2000-M8×16	Hex. head bolt M8×16	2	
2	300.41B.122	Lock washer	1	
3	300.41B.101	Locating plate of shift fork shaft	1	
4	GB/T5783-2000-M10×30	Hex. head bolt M10×30	8	
5	GB/T93-1987-10	Spring lock washer 10	8	
6	280.41.102-1	PTO gear housing	1	
7	300.41B.103	Blocking ring	2	
8	300.41B.104	Blocking ring	4	
9	GB/T309-2000-3×23.8	Needle roller 3×23.8	78	
10	300.41B.106	Middle gear (540/1000)	1	
11	300.41B.107	Middle shaft	1	
12	GB/T3452.1-1992-30×2.65	O-ring seal 30×2.65	1	
13	300.41B.111	Shift fork shaft	1	
14	280.41.112	Shift fork	1	
15	200.37.127-1	Shift fork positioning spring	1	
16	GB/T308-2002-9.5	Steel ball 9.5	1	
17	280.41.011	controlling shaft	1	
18	GB/T894.1-1986-15	Circlip for shaft 15	1	
19	GB/T3452.1-1992-10.6×2.65	O-ring seal 10.6×2.65	1	
20	200.38.111	bushing gasket	1	
21	200.38.113	Controlling shaft bushing	1	
22	GB/T93-1987-8	Spring lock washer 8	7	
23	GB/T5783-2000-M8×25	Hex. head bolt M8×25	6	
24	350-1.41.024A-1	Flex arm weldment	1	
25	GB/T879.1-2000-6×28	Slotted spring pin 6×28	2	

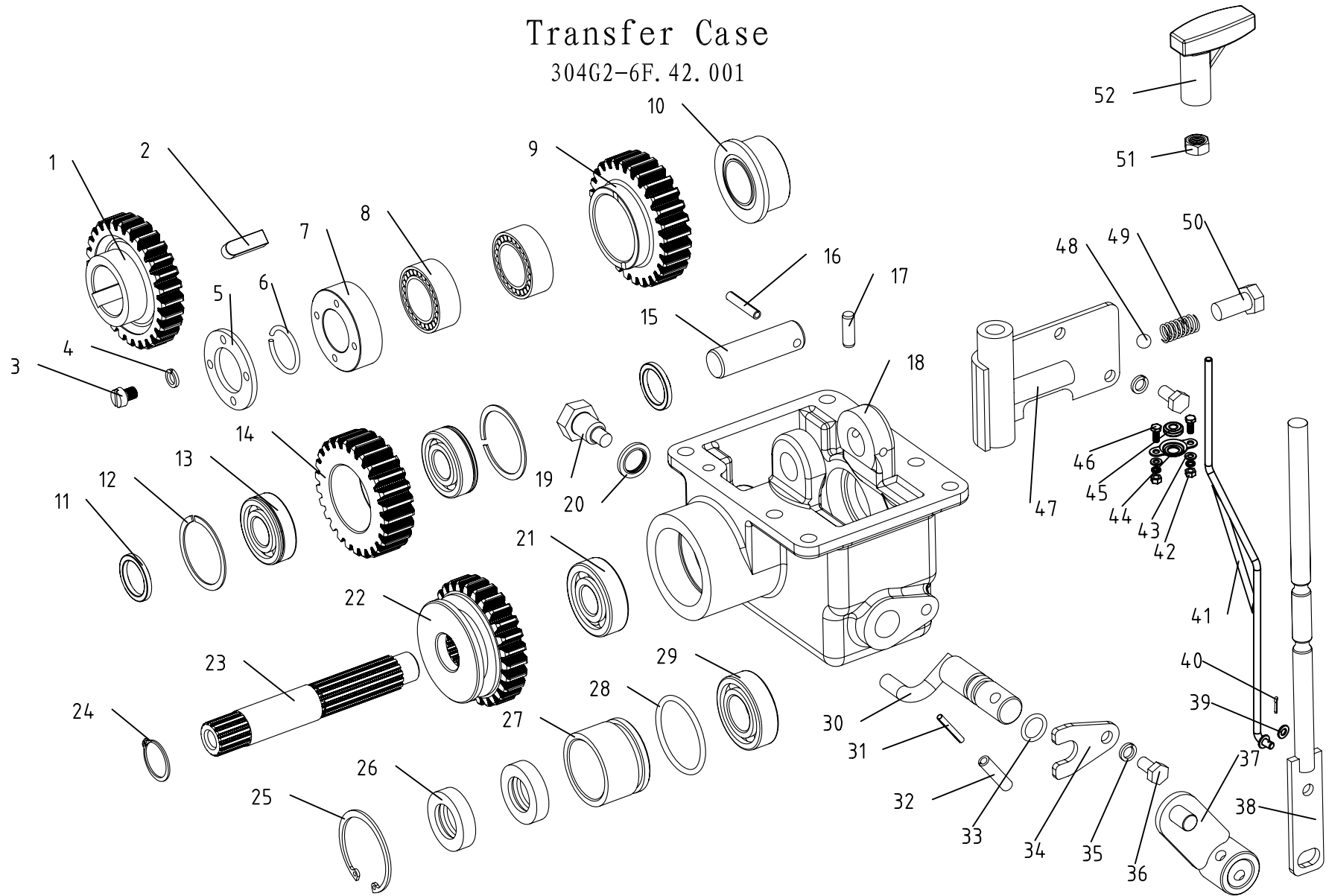
16 PTO

Ser.No.	Part No.	Name & Specifications	Quantity	Remarks
26	GB/T882-1986-B12×35	Clevis pin with head B12×35	1	for EC and AU
27	GB/T91-2000-3.2×20	Split pin 3.2×20	2	
28	GB/T97.1-2002-12	Plain washer 12	1	
29	280.43.107	Rod clevis	1	
30	GB/T6170-2000-M10	Hex. nut M10	1	
31	304G2-6F.41.023	Pull rod weldment	1	
32	404G2-6F.41.021-1	Handle weldment	1	
	404G2-6F.41.021A	Handle weldment	1	
33	504G3.41.104	PTO control handle	1	
34	504G3.55.218	Sleeve(20×20)	1	
35	GB/T97.1-2002-10	Plain washer 10	1	
36	GB/T5846-1986-K223020	Bearing K223020	1	
37	300.41B.117	Shifting gear (540/1000)	1	
38	GB/T119.1-2000-B8×26	Straight pin B8×26	2	
39	280.41.104	Gasket of rear cover	1	
40	280.41.108-1	Rear cover of rear axle	1	
41	GB/T93-1987-12	Spring lock washer 12	12	
42	GB/T5783-2000-M12×35	Hex. head bolt M12×35	12	
43	300.41B.109	Locating plate of middle shaft	1	
44	GB/T276-1994-6209	Ball bearing 6209	1	
45	300.41B.114	PTO shaft (of 6 teeth)	1	
46	GB/T276-1994	Ball bearing 6206	1	
47	GB/T894.1-1986-35	Circlip for shaft 35	1	
48	GB/T893.1-1986-72	Circlip for hole 72	1	

16 PTO

Ser.No.	Part No.	Name & Specifications	Quantity	Remarks
49	GB/T276-1994	Ball bearing 6207	1	
50	304G2.41.123	Driving gear shaft (540/1000)	1	
51	GB/T276-1994-6008	Ball bearing 6008	1	
52	GB/T13871-1992-FB40×62×8	Oil seal FB40×62×8	1	
53	300.41B.125	Oil seal blocking ring	1	
54	GB/T3452.1-1992-80×2.65	O-ring seal 80×2.65	1	
55	300.41B.115-1	Cover	1	
56	300.41.011	PTO shaft shield	1	
57	GB/T97.1-2002-8	Plain washer 8	4	
58	300-6.41.011	PTO shaft safety cover	1	

17  
Transfer Case  
304G2-6F. 42. 001



## 17 Transfer Case

Ser.No.	Part No.	Name & Specifications	Quantity	Remarks
1	284.42.101-1	Power Transfer gear	1	
2	GB/T1096-2003-C10×32	Flat key C10×32	1	
3	GB/T65-2000-M5×16	Cheese head screw M5×16	4	
4	GB/T93-1987-5	Spring lock washer 5	4	
5	304.42.133-1	Locating plate	1	
6	GB/T895.1-1986-30	Circlip for shaft 30	1	
7	304.42.104-1	Front spacer	1	
8	GB5801-86-4524906	Needle bearing 4524906	2	
9	284.42.105-1	Upper idler	1	
10	304.42.103	Rear spacer	1	
11	304.42.116	Spacer	2	
12	GB/T305-1998-52/57.9	Locating snap ring 52/57.9	2	
13	GB/T276-1994-6205N	Ball bearing with snap ring groove 6205	2	
14	284.42.117	Lower idler	1	
15	304.42.118	Lower idler shaft	1	
16	GB/T879.2-2000-6×50	Slotted spring pin 6×50	1	
17	GB/T119.1-2000-A8×30	Straight pin A8×30	2	
18	304.42.109-1	Transfer case housing	1	
19	JB-FT-CU-16	Combined seal washer16	1	
20	200.38.024	Oil drain plug	1	
21	GB/T276-1994-6304	Ball bearing 6304	1	
22	304.42.106-1	Sliding gear	1	
23	304.42.107	Transfer case shaft	1	
24	GB/T894.1-1986-24	Circlip for shaft 24	1	
25	GB/T893.1-1986-55	Circlip for hole 55	1	



## 17 Transfer Case

Ser.No.	Part No.	Name & Specifications	Quantity	Remarks
26	HG4-692-67-PG25×42×10	Oil seal PG25×42×10	2	
27	304.42.108	Oil seal seat	1	
28	GB/T3452.1-1992-45×3.55	O-ring seal 45×3.55	1	
29	GB/T276-1994-6205	Ball bearing 6205	1	
30	304.42.012-1	Shift peg	1	
31	GB/T879.2-2000-5×32	Slotted spring pin 5×32	1	
32	GB/T879.2-2000-8×32	Slotted spring pin 8×32	1	
33	GB/T3452.1-1992-15×2.65	O-ring seal 15×2.65	1	
34	304.42.111	Locating plate	1	
35	GB/T93-1987-8	Spring lock washer 8	3	
36	GB/T5783-2000-M8×16	Hex. head bolt M8×16	3	
37	404G2-6.42.011	Rocker arm	1	
38	404G2-6F.42.013-1	Push rod	1	
39	GB/T97.1-2002-10	Washer 10	1	
40	GB/T91-2000-3.2×24	Split pin 3.2×24	1	
41	404G2-6F.42.012	Control lever,Front wheel drive	1	
	404G2-6F.42.012A	Control lever,Front wheel drive	1	for EC and AU
42	GB/T6170-2000-M8	Nut M8	2	
43	GB/T97.1-2002-8	Washer 8	2	
44	454.42.111	Locking plate	1	
45	454.42.110	Limit circle	1	
46	GB/T5783-2000-M8×20	Hex. head bolt M8×20	2	
47	304G2-6.42.012	Stop collar	1	
48	GB/T308-2002-9.5	Lock ball 9.5	1	

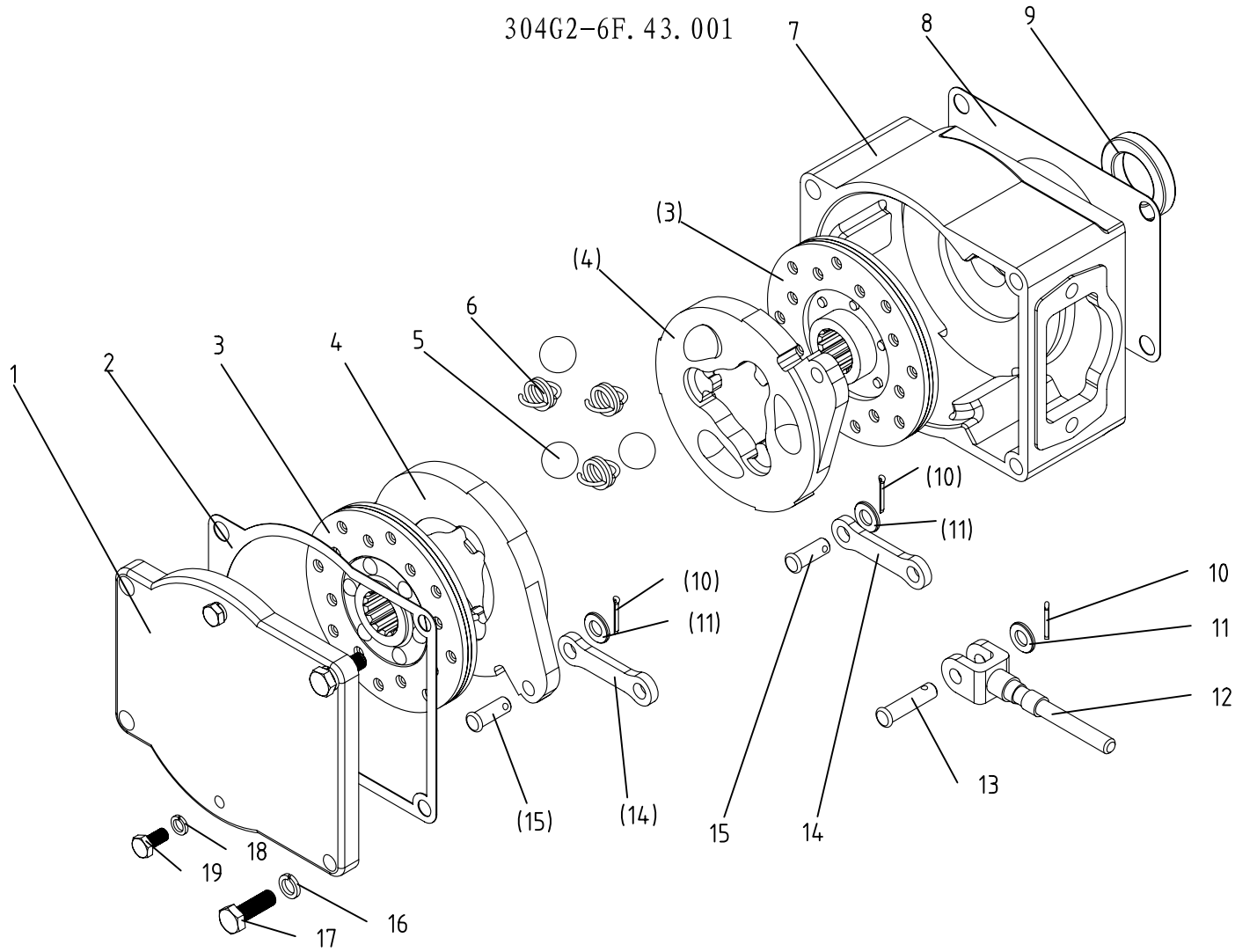
## 17 Transfer Case

Ser.No.	Part No.	Name & Specifications	Quantity	Remarks
49	200.37.127-1	Compression spring	1	
50	GB/T5783-2000-M12×25	Hex. head bolt M12×25	1	
51	GB/T6171-2000-M10×1	Hex. nut M10×1	1	
52	504G3.37.011	Control handle	1	

18.1

# Disc Brake

304G2-6F. 43. 001

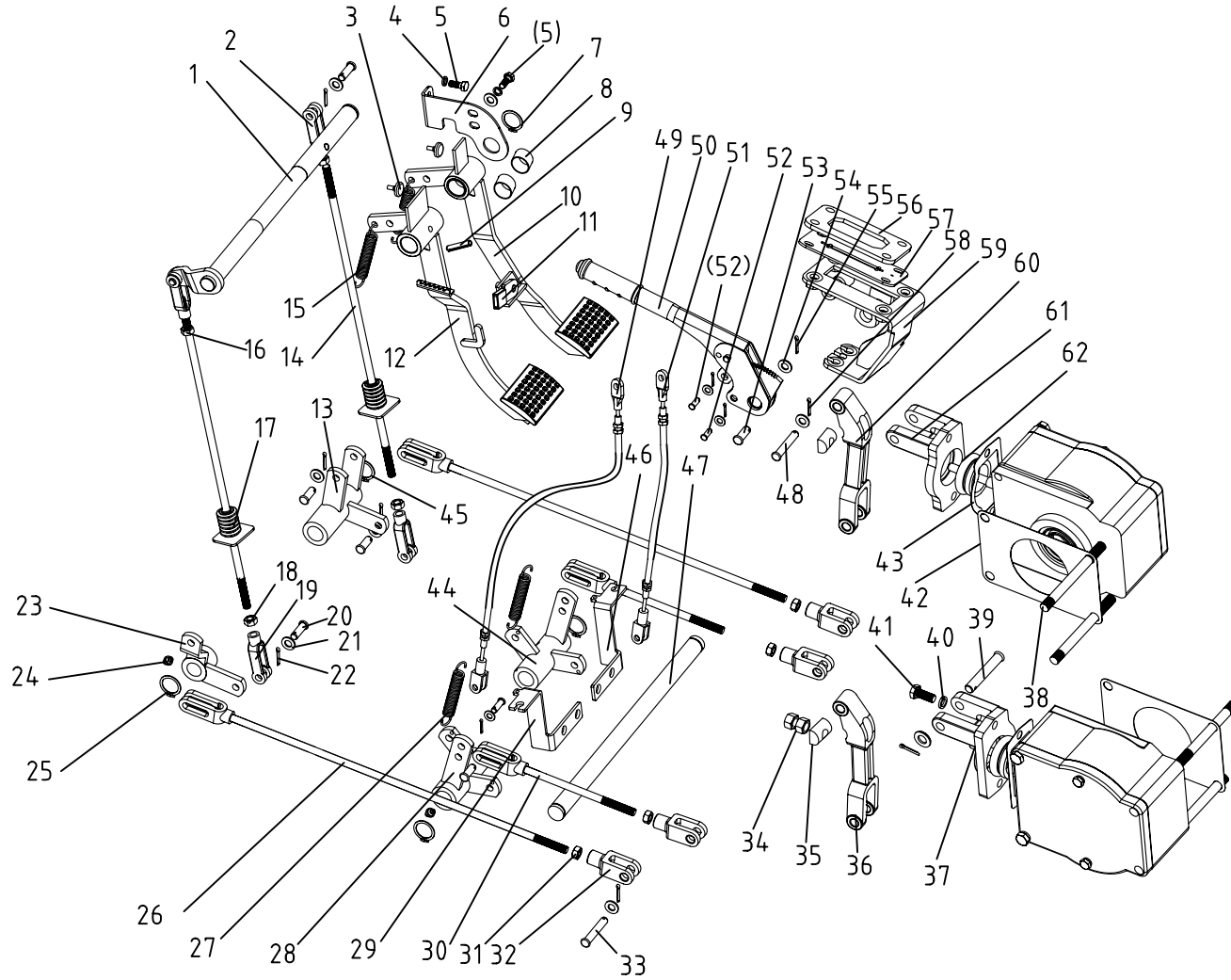


### 18.1 Disc Brake

Ser.No.	Part No.	Name & Specifications	Quantity	Remarks
1	280.43.102-1	Brake cap	2	
2	280.43.112-1	Brake cap gasket	2	
3	280.43.012-1	Brake driven disk	4	
4	280.43.113-1	Brake pressure plate	4	
5	GB/T308-2002-7/8"	Steel ball 7/8"	6	
6	280.43.114	Return spring	6	
7	280.43.101-1	Brake housing	2	
8	280.43.122-1	Brake gasket	2	
9	HG4-692-67-SG32×52×12	Oil seal SG 32×52×12	2	
10	GB/T91-2000-3.2×20	Split pin 3.2×20	6	
11	GB/T97.2-2002-10	Plain washer 10	6	
12	280.43.117-1	Adjusting rod	2	
13	GB/T882-1986-B10×40	Clevis pin with head B10×40	2	
14	280.43.116-1	Draw plate	4	
15	GB/T882-1986-B10×26	Clevis pin with head B10×26	4	
16	GB/T93-1987-10	Spring lock washer 10	4	
17	GB/T5783-2000-M10×30	Hex. head bolt M10×30	4	
18	GB/T5783-2000-M8×16	Hex. head bolt M8×16	4	
19	GB/T93-1987-8	Spring lock washer 8	4	

# 18.2 Brake Operation Mechanism

304G2-6F.43.001



## 18.2 Brake Operation Mechanism

Ser.No.	Part No.	Name & Specifications	Quantity	Remarks
1	404G2-6F.43.018	Brake transmission axis	1	
2	254G2.43.106	Draw rod fork	2	
3	504G3.43.101	Rubber cushion	2	
4	GB/T93-1987-8	Spring lock washer 8	4	
5	GB/T5783-2000-M8×20	Hex. head bolt M8×20	4	
6	504G3.43.104	Support board	1	
7	GB/T894.1-1986-25	Circlip for shaft 25	1	
8	504G3.43.135	Bush(2520)	2	
9	GB/T879.4-2000-8×40	Spring split pin 8×40	1	
10	504G3.43.033	Right brake lever weldment	1	
11	GB/T13527.2-1992-DT-14×0.6	DT-14×0.6	1	L=23
12	404G2-6F.43.032	Left brake lever weldment	1	
13	404G2-6F.43.012	Left cannula weldment	1	
14	404G2-6F.43.126	Front pull rod	2	
15	504G3.43.103-1	Return spring	2	
16	GB/T6171-2000-M10×1-L	Hex. nut M10×1-L	2	
17	504G3.43.110	Rubber sheath	2	
18	GB/T6171-2000-M10×1	Hex. nut M10×1	4	
19	300.21A.148	Draw rod fork	2	
20	GB/T882-1986-B10×30	Clevis pin with head B10×30	10	
21	GB/T97.1-2002-10	Chamfered plain washer 10	12	
22	GB/T91-2000-3.2×20	Split pin 3.2×20	14	
23	404G2-6F.43.011	Right cannula weldment	1	
24	JB/T7940.1-1995- M10×1	Angle grease nipple M10×1	4	
25	GB/T894.1-1986-22	Circlip for shaft 22	1	

## 18.2 Brake Operation Mechanism

Ser.No.	Part No.	Name & Specifications	Quantity	Remarks
26	304G2-6F.43.019	Rear brake pull link weldment	1	
27	254G3.38.118	Hand brake return spring	2	
28	404G2-6F.43.013	Left hand brake cannula weldment	1	
29	404G2-6F.43.016	Left hand brake stay wire mounting pane	1	
30	304G2-6F.43.020	Hand brake pull link weldment	2	
31	GB/T 6170-2000-M10	Hex. nut M10	4	
32	280.43.107	Rod clevis	4	
33	GB/T882-1986-B12×75	Clevis pin with head B12×75	2	
34	GB /T6170-2000-M12	Hex. nut M12	4	
35	280.43.105	Self-aligning block	2	
36	404G2-6F.43.109	Right brake rocker arm	1	
37	280.43.104	Left rocker arm pedestal	1	
38	GB/T899-1988-GM12×130	Double end stud GM12-M12×130	8	
39	GB/T882-1986-B12×70	Clevis pin with head B12×70	2	
40	GB/T93-1987-10	Spring lock washer 10	2	
41	GB/T5783-2000-M10×25	Hex. head bolt M10×20	2	
42	280.43.122-1	Paper gasket	2	
43	280.43.103	Paper gasket	2	
44	404G2-6F.43.014	Right hand brake cannula weldment	1	
45	GB/T894.1-1986-24	Circlip for shaft 24	3	
46	404G2-6F.43.015	Right hand brake stay wire mounting pan	1	
47	404G2-6F.43.101	Rear brake transmission axis	1	
48	GB/T882-1986-B12×70	Clevis pin with head B12×70	2	
49	404G2-6F.43.022	Left hand brake stay wire	1	

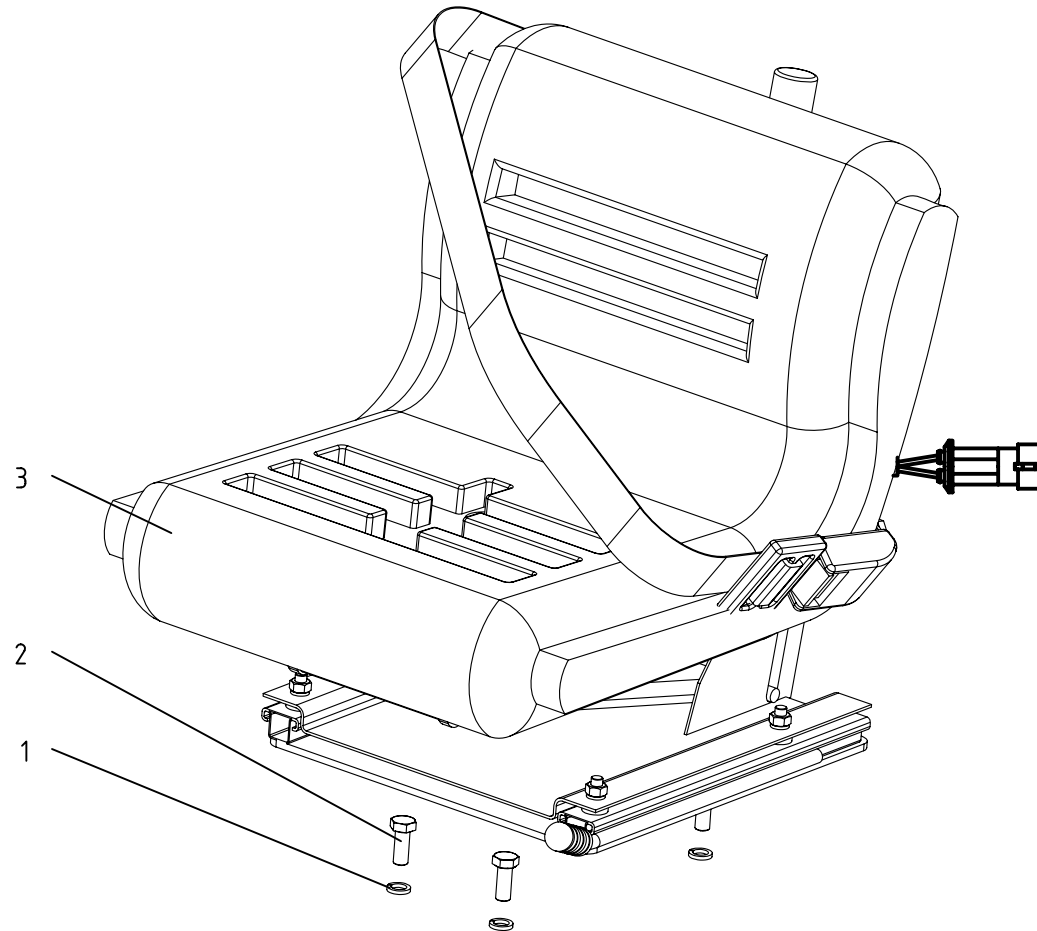
## 18.2 Brake Operation Mechanism

Ser.No.	Part No.	Name & Specifications	Quantity	Remarks
50	300-6.43.015	Hand brake	1	Optional
	504G3-3.43.025	Hand brake	1	for EC and AU
51	404G2-6F.43.021	Right hand brake stay wire	1	
52	GB/T882-1986-B10×40	Clevis pin with head B10×40	2	
53	GB/T882-1986-B16×40	Clevis pin with head B16×40	1	
54	GB/T97.1-2002-16	Chamfered plain washer 16	1	
55	GB/T91-2000-4×25	Split pin4×25	1	
56	504G3-3.51.110	Brake control device keep plate	1	Optional
57	504G3-3.51.111	Rubber blanket	1	Optional
58	GB/T91-2000-3.2×28	Split pin 3.2×28	2	
59	404G2-6F.43.025	Hand brake fix board	1	Optional
60	404G2-6F.43.108	Left brake rocker arm	1	
61	280.43.110	Right rocker arm pedestal	1	
62	280.43.118-1	Seal cartridge	2	



# 19 Seat

504G-E. 44. 001

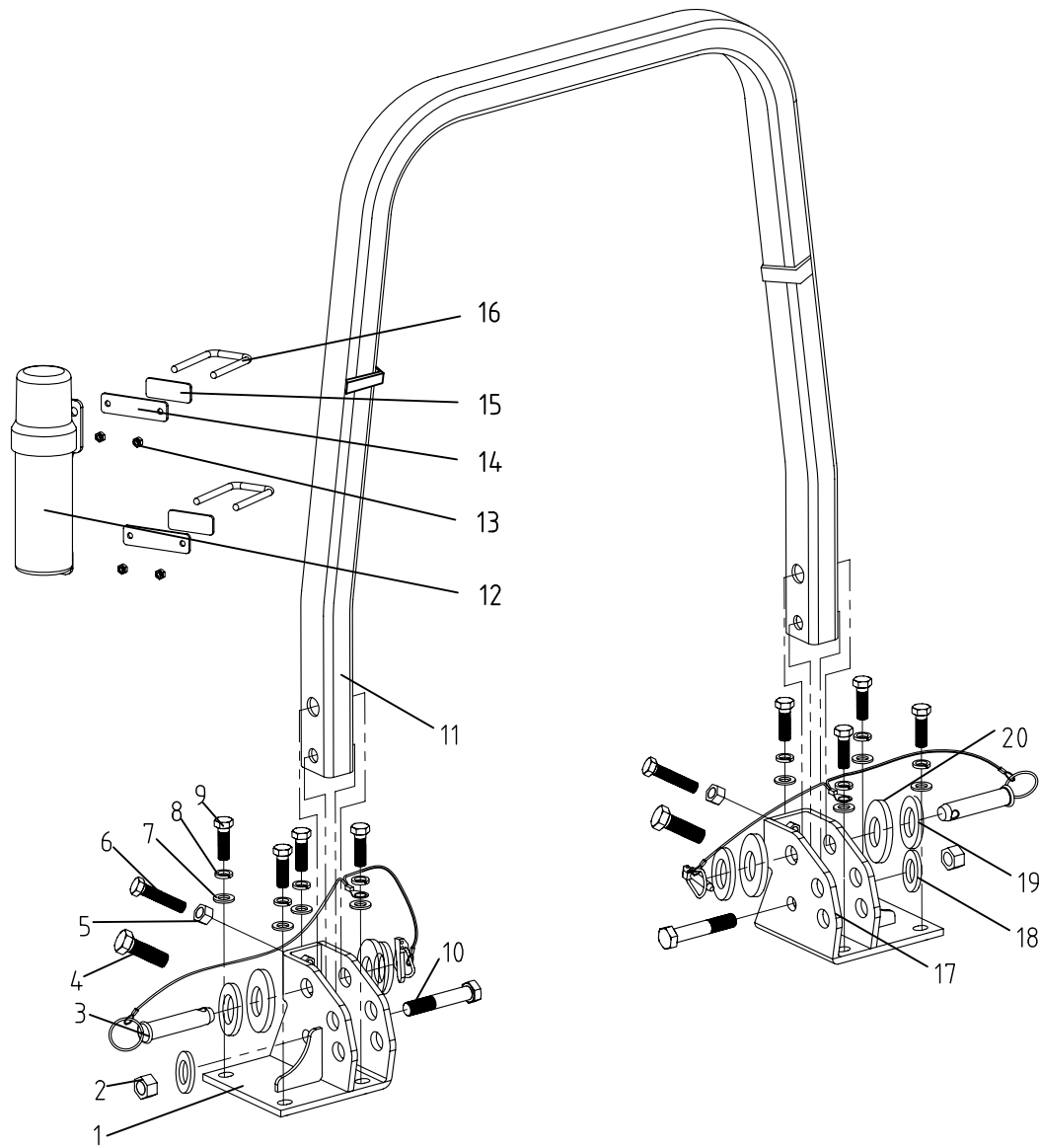


### 19 Seat

Ser.No.	Part No.	Name & Specifications	Quantity	Remarks
1	GB/T93-1987-8	Spring lock washer 8	4	
2	GB/T5783-2000-M8×20	Bolt M8×20	4	
3	DS44/1HB	Seat	1	
	XL-SEAT-003	Seat	1	Optional
	YHG6-S23	Seat	1	Optional

# 20.1 Safety Frame

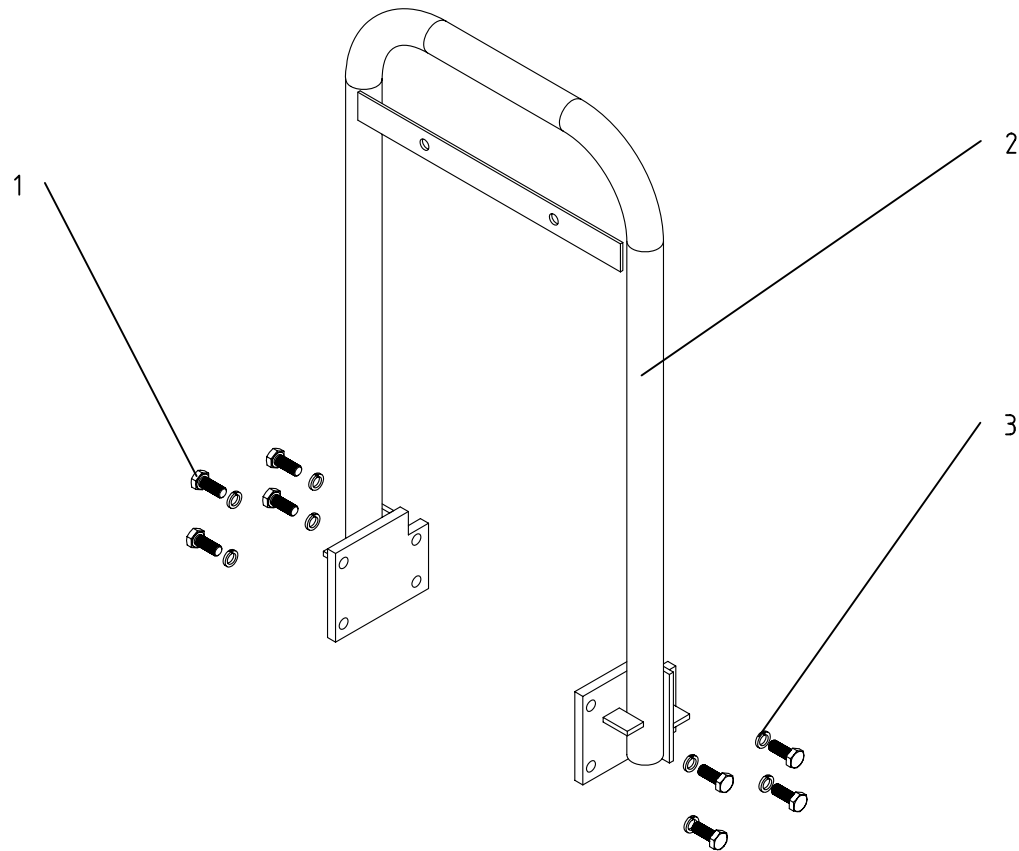
404G2-6F. 46. 001-1



## 20.1 Safety Frame

Ser.No.	Part No.	Nme & Specifications	Quantity	Remarks
1	304-9A.46.011	Left bracket,Safety frame	1	
2	GB/T889.2-2000-M20×1.5	Hex. nut M20×1.5	2	
3	304-9A.46.014	Lock pin	2	
4	GB/T5783-2000-M12×45	Hex. head bolt M12×45	2	
5	GB/T6170-2000-M12	Hex. nut M12	2	
6	GB/T5783-2000-M12×65	Hex. head bolt M12×65	2	
7	GB/T97.1-2002-16	Plain washer 16	8	
8	GB/T93-1987-16	Spring lock washer 16	8	
9	GB/T5783-2000-M16×45	Hex. head bolt M16×45	8	
10	GB/T5785-2000-M20×1.5×110	Hex. head bolt M20×1.5×110	2	
11	404G2-6F.46.011	Safety Frame	1	
12	254-5.49.103	Manual holder	1	
13	GB/T6170-2000-M8	Hex. nut M8	4	
14	254G3.46.103	Fixed plate	2	
15	254G3.46.104	Shim plate	2	
16	304-9A.46.161	U-bolt	2	
17	304-9A.46.012	Right bracket,Safety frame	1	
18	GB/T97.1-2002-20	Plain washer 20	2	
19	GB/T97.1-2002-27	Plain washer 27	4	
20	504G3.46.115	Rubber washer	4	

20.2  
Front Safety Frame  
304G2-E. 46. 001

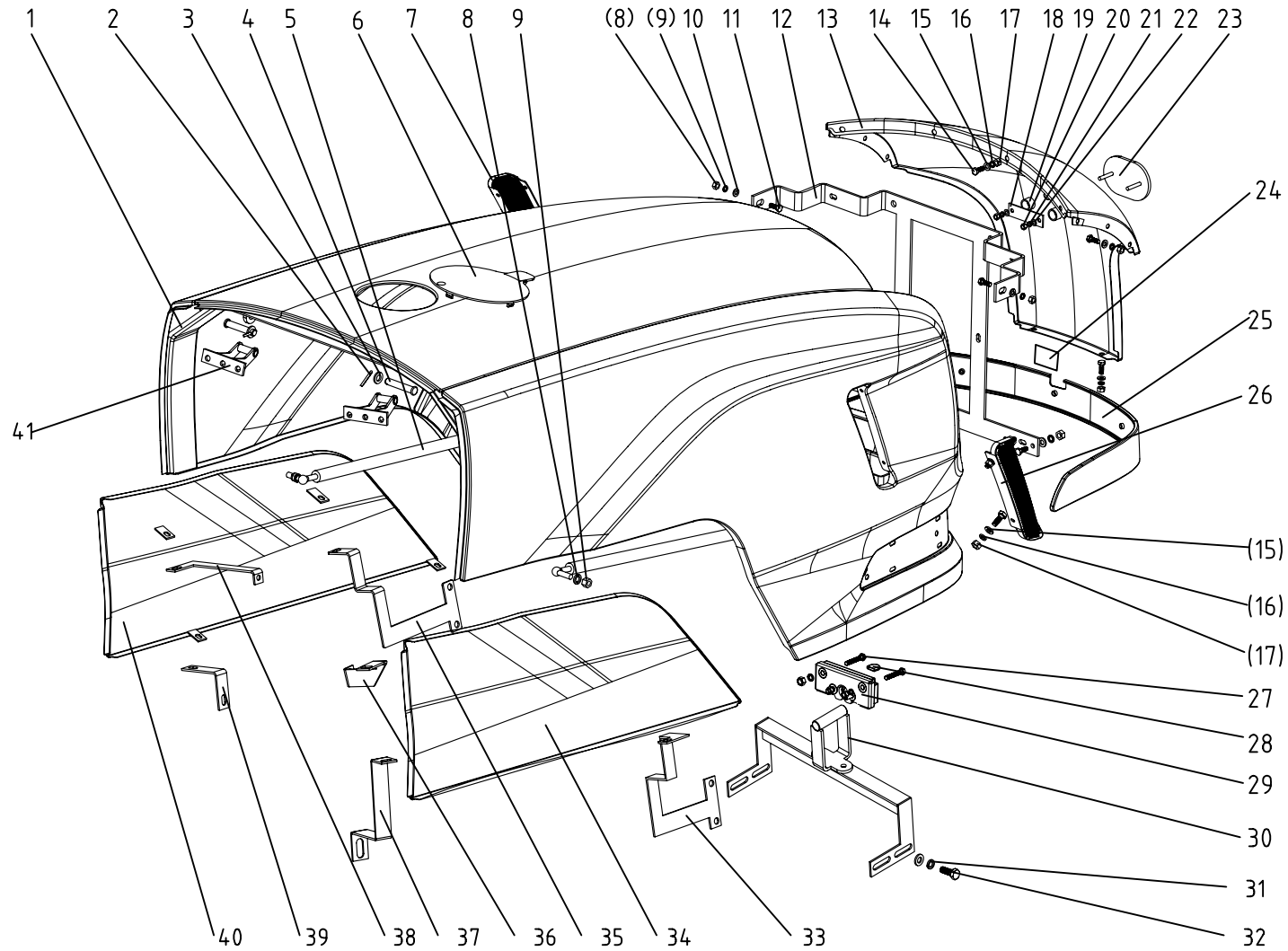


## 20.2 Front Safety Frame

Ser.No.	Part No.	Name & Specifications	Quantity	Remarks
1	GB/T5783-2000-M10×25	Hex. head bolt M10×25	8	
2	304G2-6E.46.021	Front safety frame	1	
3	GB/T93-1987-10	Spring lock washer 10	8	

# 21.1 Hood and Panel (A)

304G2-E. 47. 001



### 21.1 Hood and Panel (A)

Ser.No.	Part No.	Name & Specifications	Quantity	Remarks
1	254-11.47.011	Engine Hood	1	
2	GB/T91-2000-3.2×30	Split pin 3.2×30	2	
3	GB/T97.1-2002-10	Plain washer 10	6	
4	GB/T882-1986-B10×60	Clevis pin with head B10×60	2	
5	695×293×380-BB-833635	Gas spring	2	
6	504G3-E.47.105	Fuel tank cap	1	
7	404-11.47.105	Left radiator grill	1	
8	GB/T93-1987-8	Spring lock washer 8	4	
9	GB/T6170-2000-M8	Hex. Nut M8	4	
10	GB/T97.1-2002-8	Plain washer 8	2	
11	GB/T5783-2000-M8×20	Hex. head bolt M8×20	2	
12	404-11.47.017	Bracket	1	
13	404-11.47.103	Front cover	1	
14	GB/T5783-2000-M6×16	Hex. head bolt M6×16	19	
15	GB/T97.1-2002-6	Plain washer 6	19	
16	GB/T93-1987-6	Spring lock washer 6	23	
17	GB/T6170-2000-M6	Hex. Nut M6	26	
18	300.47.113	Brand mark plate carrier	1	
19	GB/T6170-2000-M5	Hex. Nut M5	2	
20	GB/T93-1987-5	Spring lock washer 5	2	
21	GB/T97.1-2002-5	Plain washer 5	2	
22	404-11.47.107	DF brand	1	
23	404-11.47.109	Decorative strip	1	Optional
24	404-11.47.117	Hood opening instruction	1	
25	404-11.47.104	Front garnish	1	

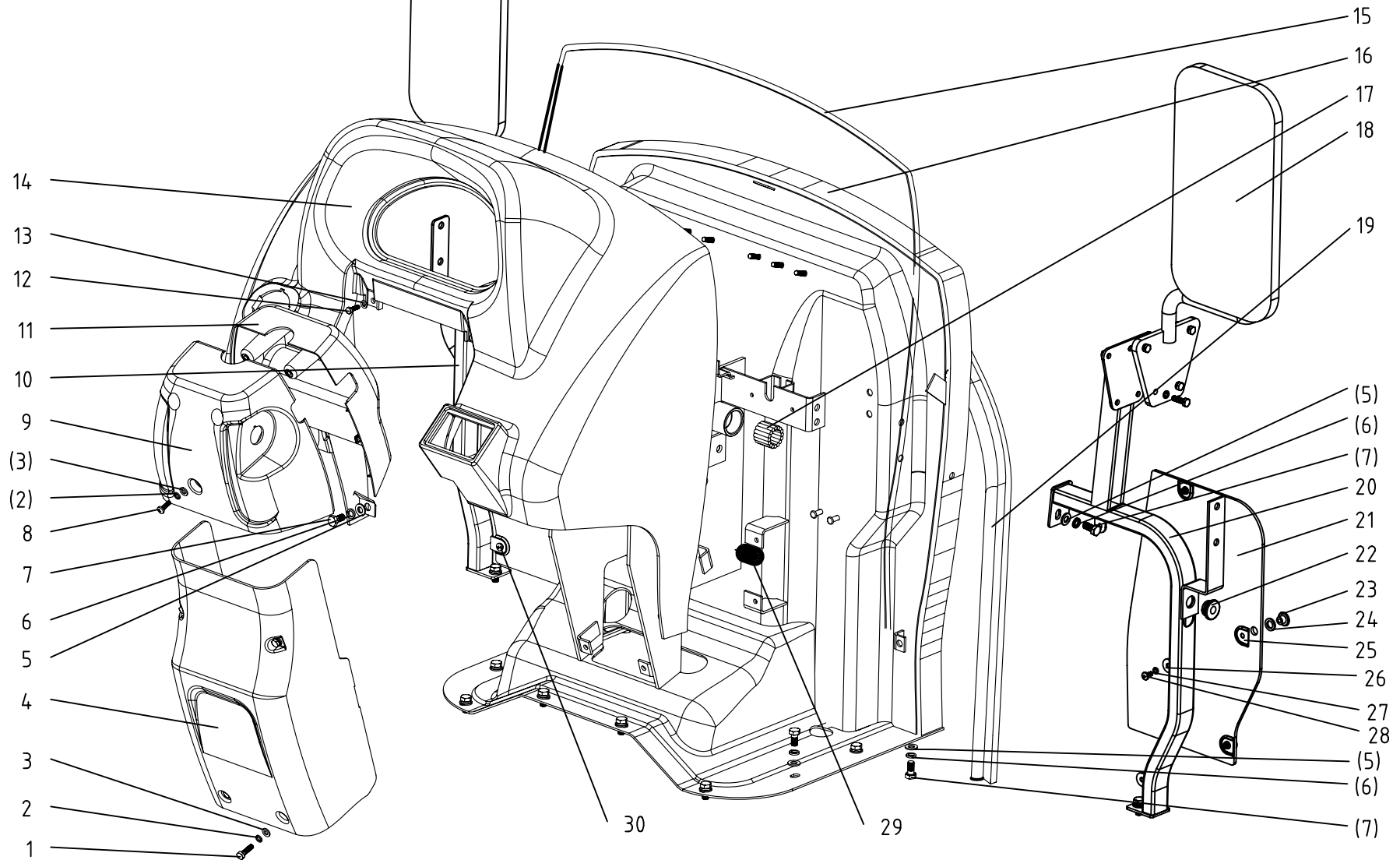


### 21.1 Hood and Panel (A)

Ser.No.	Part No.	Name & Specifications	Quantity	Remarks
26	404-11.47.106	Right radiator grill	1	
27	GB/T5783-2000-M6×35	Hex. head bolt M6×35	4	
28	550.47E.105-1	Rubber sheath	1	
29	550.47E.026	Hood lock	1	
30	404G2-6F.47.015-1	Lockpin	1	
31	GB/T93-1987-10	Spring lock washer 10	4	
32	GB/T5783-2000-M10×25	Hex. head bolt M10×25	4	
33	304-6E.47.102	Front down right setting board	1	
34	304G2-E.47.041	Right Hood	1	
35	304-6E.47.101	Front down left setting board	1	
36	400-6.47.105	Top right setting board	1	
37	300-6.47.103	Down right setting board	2	
38	304-6E.47.103	Top left setting board	2	
39	404G2-E.47.142	Rear top right setting board	1	
40	304G2-E.47.031	Left Hood	1	
41	404G2-6F.47.014	Hood hinge	2	

## 21.2 Hood and Panel (B)

304G2-E47.001/04G2-E.47.001



## 21.2 Hood and Panel (B)

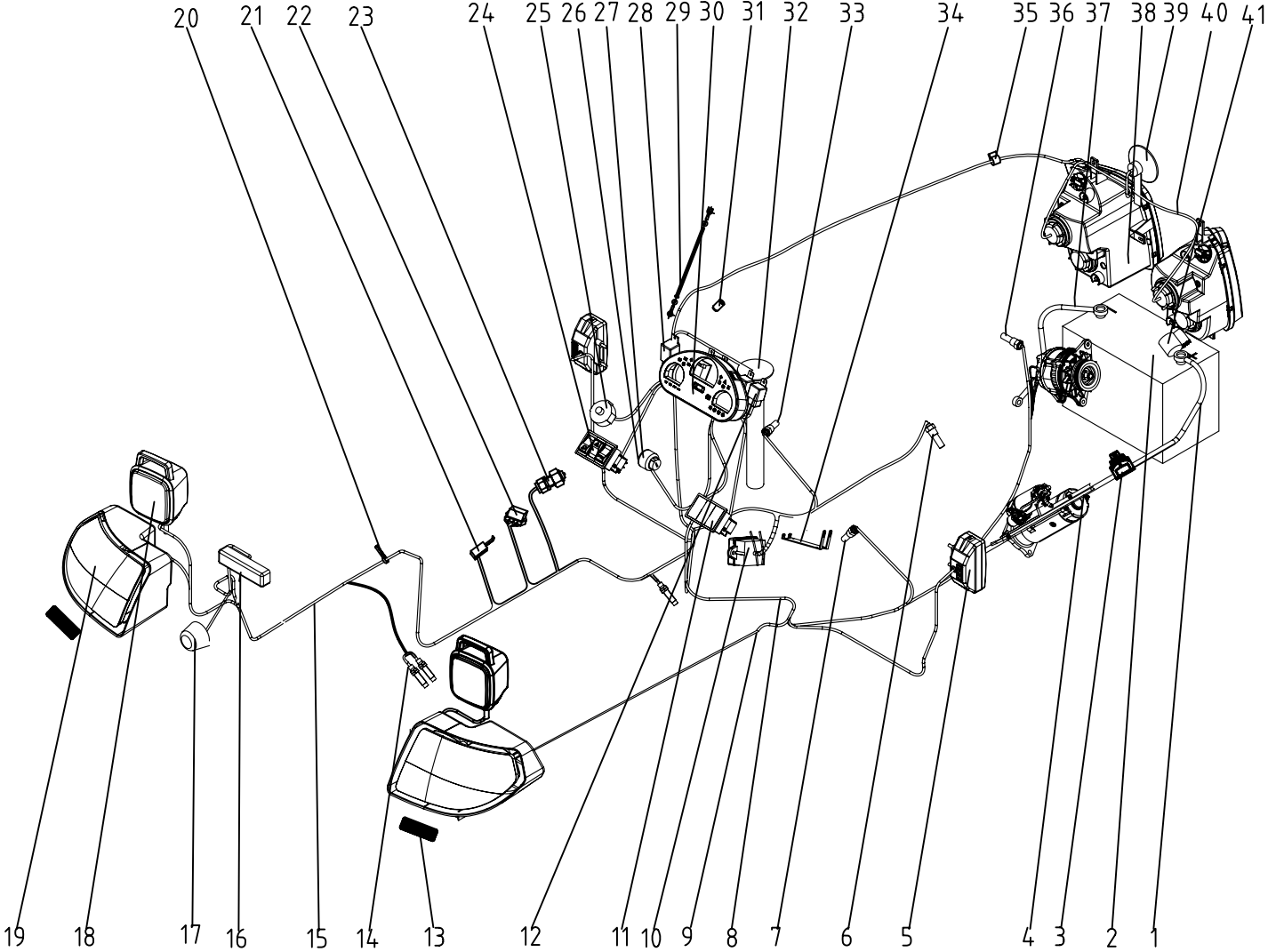
Ser.No.	Part No.	Name & Specifications	Quantity	Remarks
1	GB/T5783-2000-M6×20	Hex. head bolt M6×20	12	
2	GB/T93-1987-6	Spring lock washer 6	16	
3	GB/T97.1-2002-6	Plain washer 6	16	
4	504G3.47.103	Redirector pedestal mantle	1	
5	GB/T97.1-2002-8	Plain washer 8	12	
6	GB/T93-1987-8	Spring lock washer 8	12	
7	GB/T5783-2000-M8×16	Hex. head bolt M8×16	12	
8	GB/T818-2000-M6×16	Philips pan head screw M6×16	5	
9	504G3.47.102	Redirector back mantle	1	
10	404G2-6F.47.016	Left frame clsss weldment	1	
11	504G3.47.014	Redirector forward mantle	1	
12	GB/T5783-2000-M10x25	Hex. head bolt M10x25	4	
13	GB/T97.1-2002-5	Plain washer 5	2	
14	404G3.47.101	Engine Hood	1	
15	YC0542020445	Dashboard rubber ring	1	L=1700
16	404G2-E.47.021	Hood frame clsss weldment	1	
17	GB/T5846-1989-K25×31×25	Needle bearing K25×31×25	2	
18	A3-1	Rearview mirror	2	
19	800.47.101	Rubber ring	1	L=1340
20	404G2-6F.47.018	Right frame clsss weldment	1	
21	404G3.47.161	Windshield	2	
22	504G3.51.102	Rubber sheath	2	
23	504G3.47.225	Hex. Nut M5	6	
24	504G3.47.226	Rubber washer 5	6	
25	504G3.47.227	Plastic washer 5	6	

## 21.2 Hood and Panel (B)

Ser.No.	Part No.	Name & Specifications	Quantity	Remarks
26	GB/T96.2-1985-6	Plastic washer 6	12	
27	GB/T93-1987-5	Spring lock washer 5	6	
28	GB/T818-2000-M5×8	Philips pan head screw M5×8	6	
29	504G3.47.108	wiring harness rubber cover	1	
30	GB/T818-2000-M8×12	Philips pan head screw M8×12	2	
31	404G2-6F.47.015-1	Lockpin	1	
32	GB/T93-1987-10	Spring lock washer 10	4	
33	GB/T5783-2000-M10×25	Hex. head bolt M10×25	4	
34	404G2-E.47.041	Right Hood	1	
35	404G2-E.47.031	Left Hood	1	

# 22 Electrical System

404G2-E. 48. 001-1



## 22 Electrical System

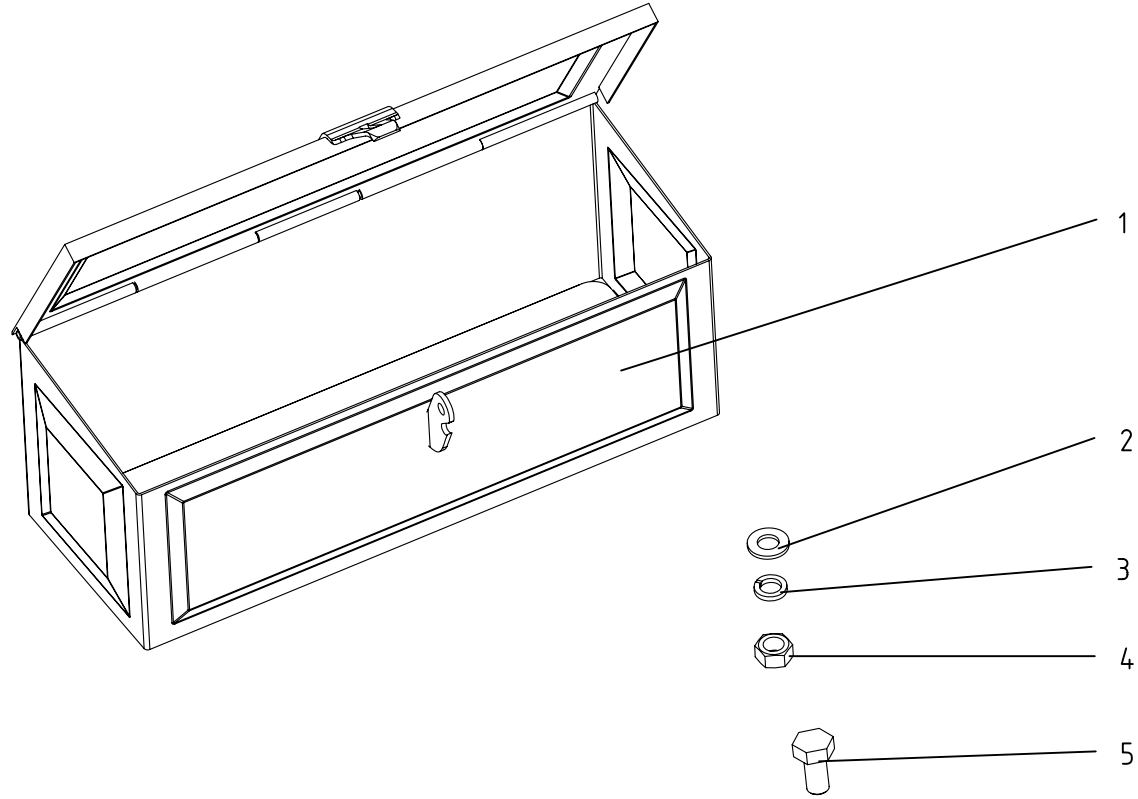
Ser.No.	Part No.	Name & Specifications	Quantity	Remarks
1	304G2-6E.48.016	Elastic cable paper	1	
2	6-QW-80L	Battery	1	
3	254G3.48.019	General supply switch	1	
4	304G2-6E.48.015	Elastic cable paper	1	
5	504G3.48.021	Steering lamp	2	
6	504G3.48.104	Oil pressure sensor	1	
7	504G3.48.103	rotation speed senser (M18×1.5)	1	
8	404G2-E.48.012-1	Main wiring harness	1	
9	404G2-6F.48.014-1	Right fender wiring harness	1	
10	504G3.48.020	Fuse box wiring harness	1	
11	504G3.48.027	JK938A) Caution light swich cover plate	1	
12	1912型	Starting relay	6	
13	300-6.48.023-1	Reflector	2	
14	504G3.48A.104	approach switch	2	
15	404G2-6F.48.015-1	Left fender wiring harness	1	
16	300-6.48.019-1	Rear registration plate lamp	1	
17	JB3762-84	Tow truck jack	1	
18	804-6.48.024	Tail lamp	1	
19	404-11.48.022/023	Combination rear signal lamp	2	
20	AG-057	Wire clip	1	
21	HY-SG102A	Flasher	1	
22	FT111	Voltage ragulater	1	
23	JB1041	Security switch	2	
24	504G3.48.026	Caution light swich	1	
25	304G2-6.48.103	Multi-function switch	1	

## 22 Electrical System

Ser.No.	Part No.	Name & Specifications	Quantity	Remarks
26	504G3.48.022	Pre-heating starting switch	1	
27	504G3.48.105-1	Starting scutcheon	1	
28		Main relay	1	
29	504G3.48.014	Preheater ground lead	1	
30	504G3-E.48A.021	Combination meter	1	
31	250D.48.101	Cable splice jacket	1	
32	404G2-6F.48.102	Oil level sensor	1	
33	JK231B	Brakelight switch	1	
34	404G2-E.48.101	Relay installation	1	
35	200.48B.108	Wire clip	3	
36	504G3.48.102	Water temperature sensor	1	
37	304G2-6E.48.017	Battery cable	1	
38	404-11.48.020/021	Head lamp	2	
39	DL-124D	Electrucity horn	1	
40	504G3.48A.011	Front wiring harness	1	
41	CX-2型	Jacket	2	

# 23 Toolbox

450.49.001



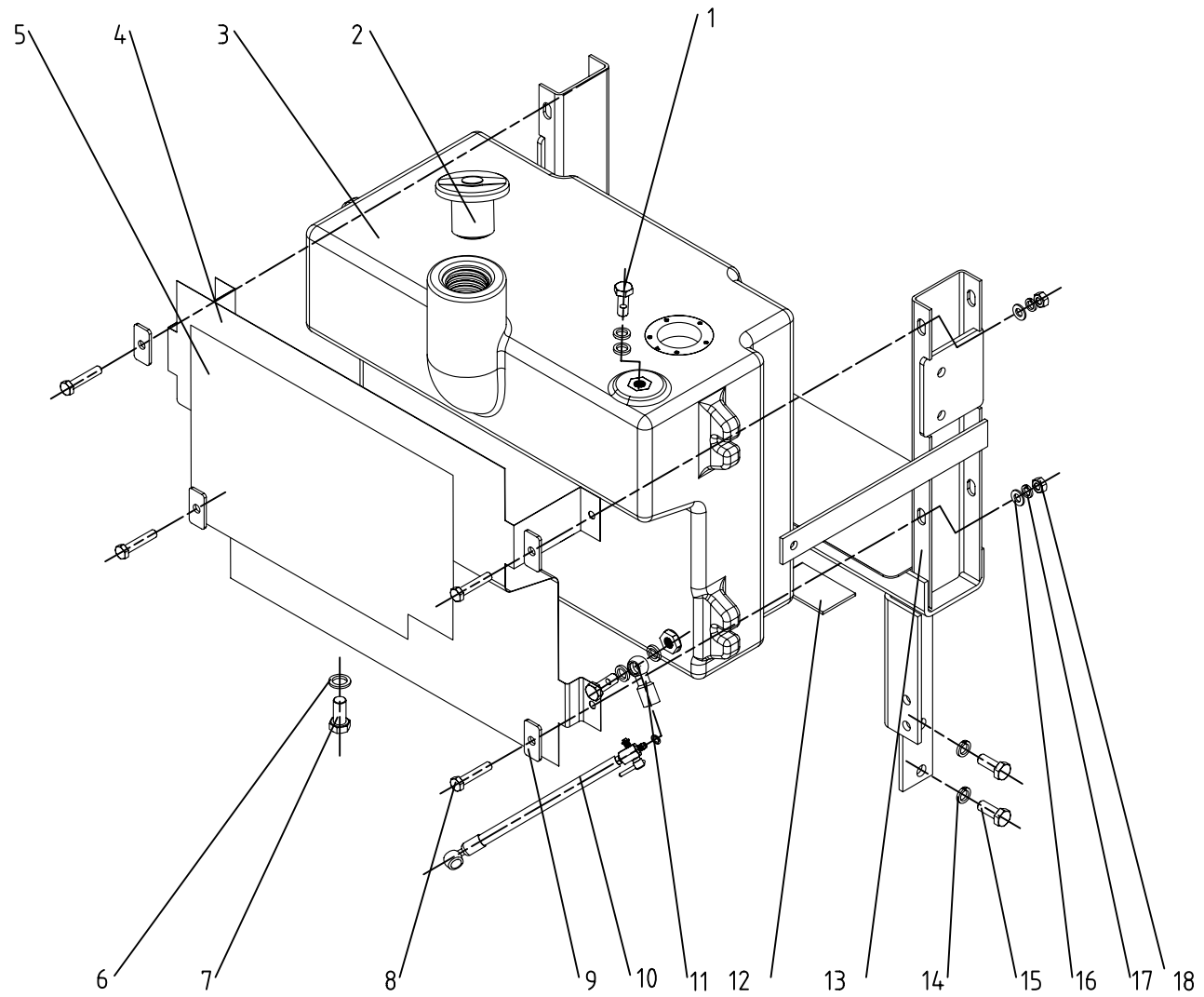


### 23 Toolbox

Ser.No.	Part No.	Name & Specifications	Quantity	Remarks
1	450.49.001	Toolbox	1	
2	GB/T97.1-2002-8	Plain washer 8	2	
3	GB/T93-1987-8	Spring lock washer 8	2	
4	GB/T6170-2000-M8	Hex. nut M8	2	
5	GB/T5783-2000-M8×16	Hex. head bolt M8×16	2	

# 24 Fuel Tank

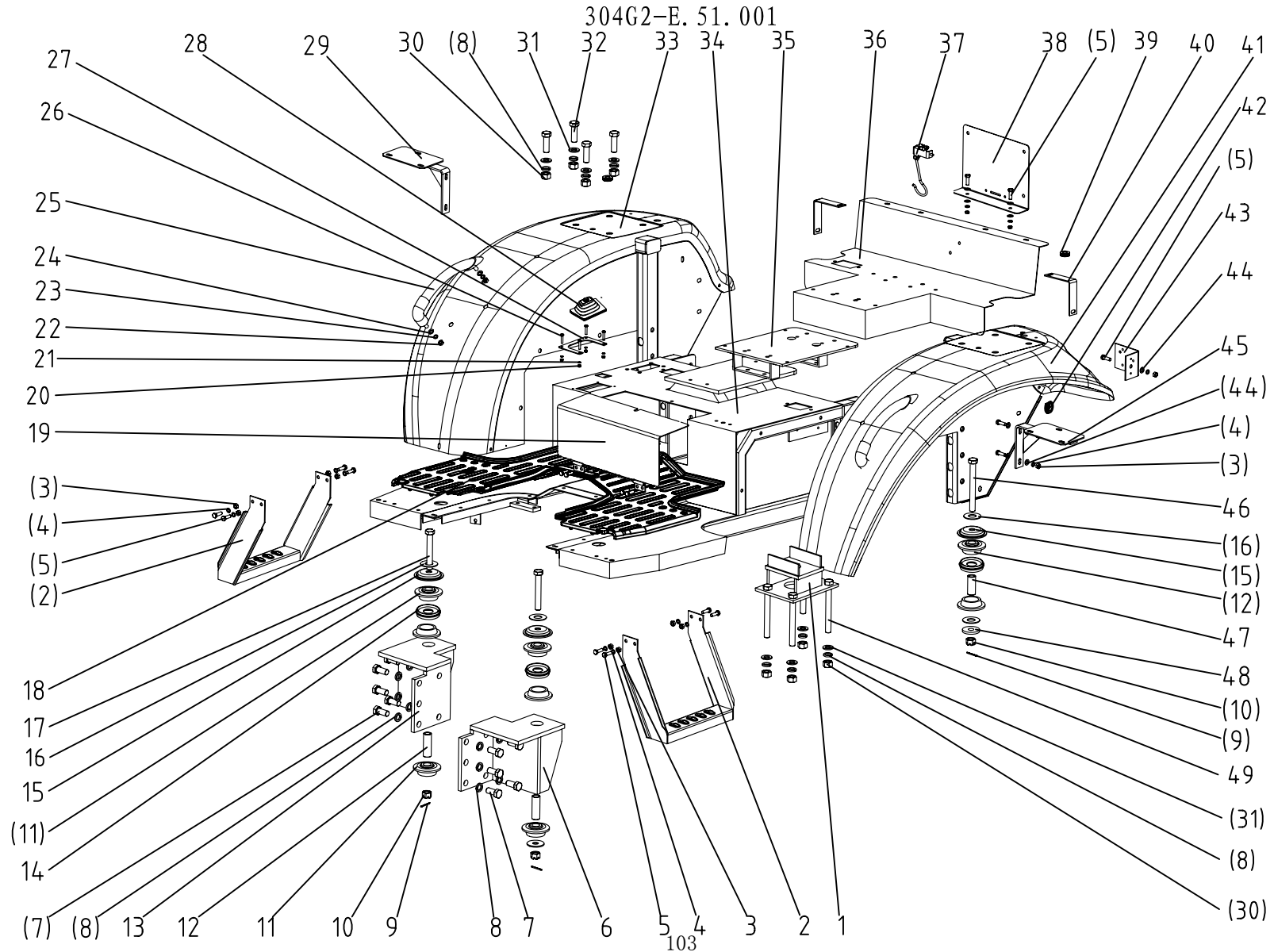
304G2-E. 50. 001



## 24 Fuel tank

Ser.No.	Part No.	Name & Specifications	Quantity	Remarks
1	JB/T6013-2000-M12×1.25	Hollow bolt M12×1.25	1	
2	DF-4268	Fuel tank cap	1	
3	404G2-6F.50.011-1	Fuel tank	1	
4	404G2-6F.50.101-1	Adiabatic board	1	
5	404G2-6F.50.102-1	Heat insulation felt	1	
6	JB-FT-CU-12	Combination washer 12	6	
7	GB/T5786-2000-M12×1.25×16	Hex.head bolt M12×1.25×16	2	
8	GB/T5783-2000-M8×40	Hex.head bolt M8×40	4	
9	304G2-6.50.101	Fuel tank washer	4	
10	300.50.015B	Fuel pipe laying	1	
11	304-11.50.011	Vitta tie-in welddding	1	
12	304G2-6.50.102	Rubber pad	2	
13	304G2-6E.50.014-1	Fuel tank bracket	1	
14	GB/T93-1987-10	Spring lock washer 10	4	
15	GB/T5783-2000-M10×25	Hex.head bolt M10×25	4	
16	GB/T97.1-2002-8	Plain washer 8	4	
17	GB/T93-1987-8	Spring lock washer 8	4	
18	GB/T6170-2000-M8	Hex.nut M8	4	

25  
Foot Mud Shields Rest



### 25 Foot Mud Shields Rest

Ser.No.	Part No.	Name & Specifications	Quantity	Remarks
1	304G2-E.51.011	Rear bracket	2	
2	504G3.51.011-1	Ladder frame	2	
3	GB/T6170-2000-M8	Hex. nut M8	18	
4	GB/T93-1987-8	Spring lock washer 8	26	
5	GB/T5783-2000-M8×25	Hex. head bolt M8×25	26	
6	404G2-6F.51.035	Left-front backstop	1	
7	GB/T5783-2000-M16×35	Hex. head bolt M16×35	10	
8	GB/T93-1987-16	Spring lock washer 16	30	
9	GB/T91-2000-3.2×32	Split pin 3.2×32	4	
10	GB/T6181-1986-M16	Hex. nut M16	4	
11	504G3.51.124	Rubber damping ring	10	
12	404G2-6F.51.411	Front damping block sleeve	2	
13	404G2-6F.51.036	Right-front backstop	1	
14	504G3-E.45.026	Limiting stopper	4	
15	504G3.51.123	Damping protecting cover	4	
16	504G3.51.127	Rubber pad	6	
17	GB/T31.1-1988-M16×110	Hex. head bolt M16×110	2	
18	404G2-6D.51.101	Rubber floor	1	
19	404G2-6D.51.013	Cover plate combination	1	
20	GB/T6170-2000-M5	Hex. nut M5	4	
21	GB/T93-1987-5	Spring lock washer 5	4	
22	GB/T6170-2000-M10	Hex. nut M10	4	
23	GB/T93-1987-10	Spring lock washer 10	12	
24	GB/T97.1-2002-10	Plain washer 10	4	
25	404-11.51.104	Handle hold	2	

### 25 Foot Mud Shields Rest

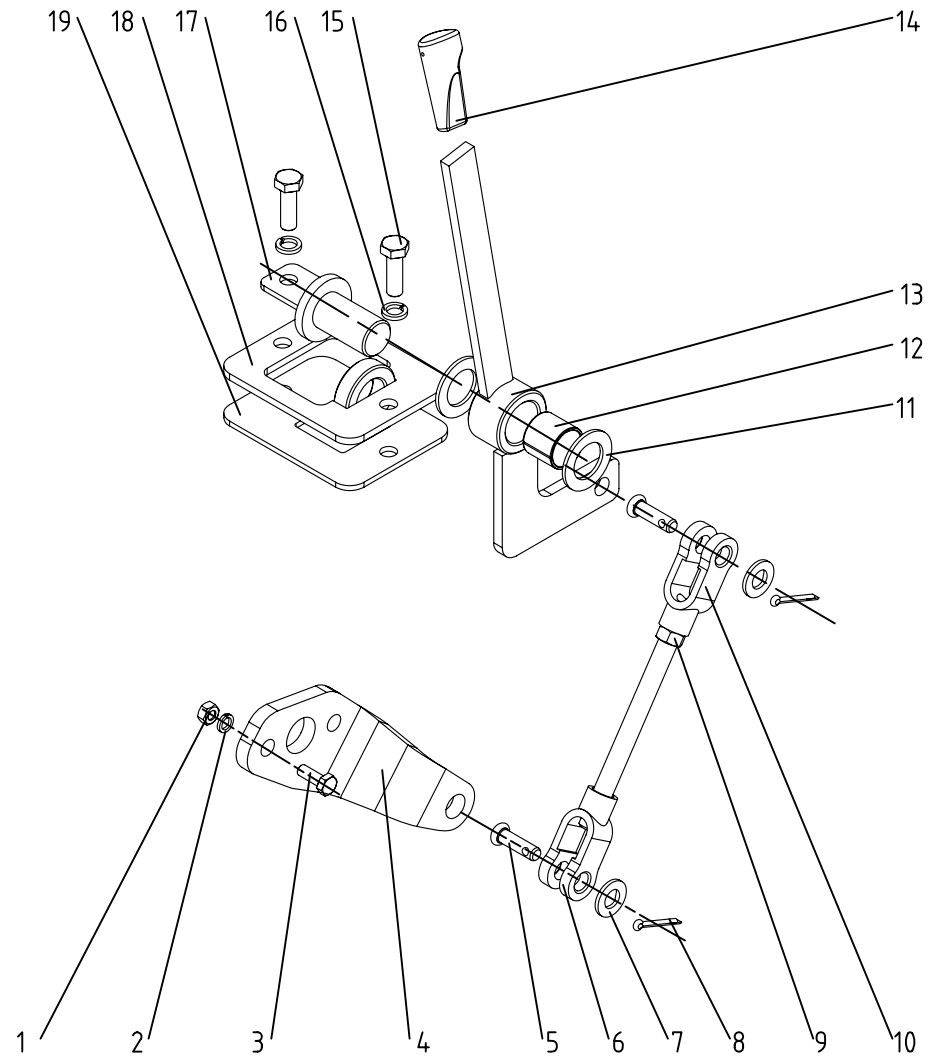
Ser.No.	Part No.	Name & Specifications	Quantity	Remarks
26	GB/T67-2000-5×25	Screw M5×25	4	
27	254G3.51.122	Selector board	1	
28	254G3.51.114	Rubber sheath	1	
29	404-11.51.026	Right taillight bracket rest	1	
30	GB/T6170-2000-M16	Hex. nut M16	20	
31	GB/T97.1-2002-16	Plain washer 16	16	
32	GB/T5782-2000-M16×50	Hex. head bolt M16×50	8	
33	404G2-E.51.018	Right mud shields rest	1	
34	404G2-E.51.011	Foot mud shields welding joint	1	
35	404G2-E.51.015	Seat bracket	1	
36	404G2-E.51.016	Squab panel	1	
	404G2-E.51.105	Squab panel	1	Optional
37	304G2-6.51.031	Suspender	1	
38	304G2-6E.51.101	Rear license plate	1	
39	504G3.47.151	rubber ring(2)	2	
40	404G2-6C.51.106	Squab panel bracket		
41	404G2-E.51.017	Left mud shields rest	1	
42	304G2-6.51.106	Electrical wire guard ring	1	
43	354-1.47.307	Trailer socket plate	1	
44	GB/T97.1-2002-8	Plain washer 8	26	
45	404-11.51.025	Left taillight bracket rest	1	
46	GB/T31.1-1988-M16×150	Hex. head bolt M16×150	2	
47	404G2-6F.51.421	Rear damping block sleeve	1	
48	404G2-6F.51.422	Baffle	1	

25 Foot Mud Shields Rest

Ser.No.	Part No.	Name & Specifications	Quantity	Remarks
49	GB/T5782-2000-M16×175	Hex. head bolt M16×175	8	

# 26.1 Hydraulic Power Lift Operation Mechanism System

404G2-6C.55.012





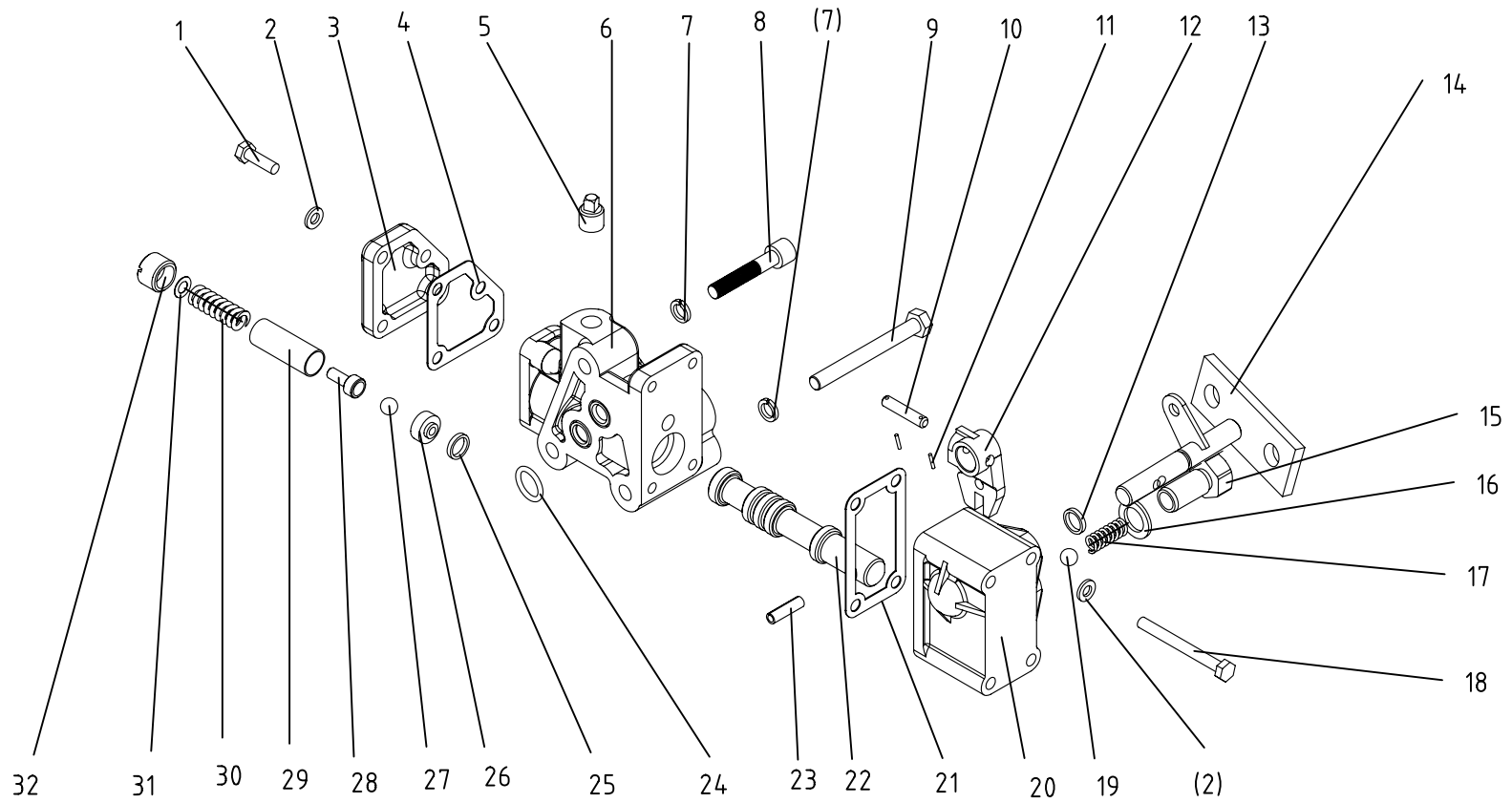
## 26.1 Hydraulic Power Lift Operation Mechanism System

Ser.No.	Part No.	Name & Specifications	Quantity	Remarks
1	GB/T 6170-2000-M6	Hex. nut M6	2	
2	GB/T 93-1987-6	spring lock washer 6	2	
3	GB/T 5783-2000-M6×16	Hex.head bolt M6×16	2	
4	404G2-6C.55.121	Rocker	1	
5	GB/T882-2000-B10×30	Clevis pin with head B10×30	2	
6	504G3.37.090	Pull rod	1	L=105
	404G2-6F.55.090	Pull rod	1	L=120, Optional
	404G2-6F.55.090A	Pull rod	1	L=135, Optional
7	GB/T97.1-2002-10	Plain washer 10	2	
8	GB/T91-2000-3.2×25	Split pin 3.2×25	2	
9	GB/T6170-2000-M10	Hex. nut M10	1	
10	254G2.43.102	Pullback fork	1	
11	504G3-3.51.161	Nylon washer	2	
12	504G3.55.218	Sleeve(20×20)	1	
13	404G2-6C.55.023	Handle assy	1	
14	1204.55.108	Handle	1	
15	GB/T5783-2000-M8×25	Hex.head bolt M8×25	2	
16	GB/T 93-1987-8	spring lock washer 8	2	
17	504G3-3.51.051	Fixed axis(2)	1	
18	504G3-3.51.050	Fixed board(2)	1	
19	504G3-3.51.106	Sealing gasket(3)	1	

# 26.2 Hydraulic Oil Distributor

404G2-6F.55.011

1-6  
10-32  
33



## 26.2 Hydraulic Oil Distributor

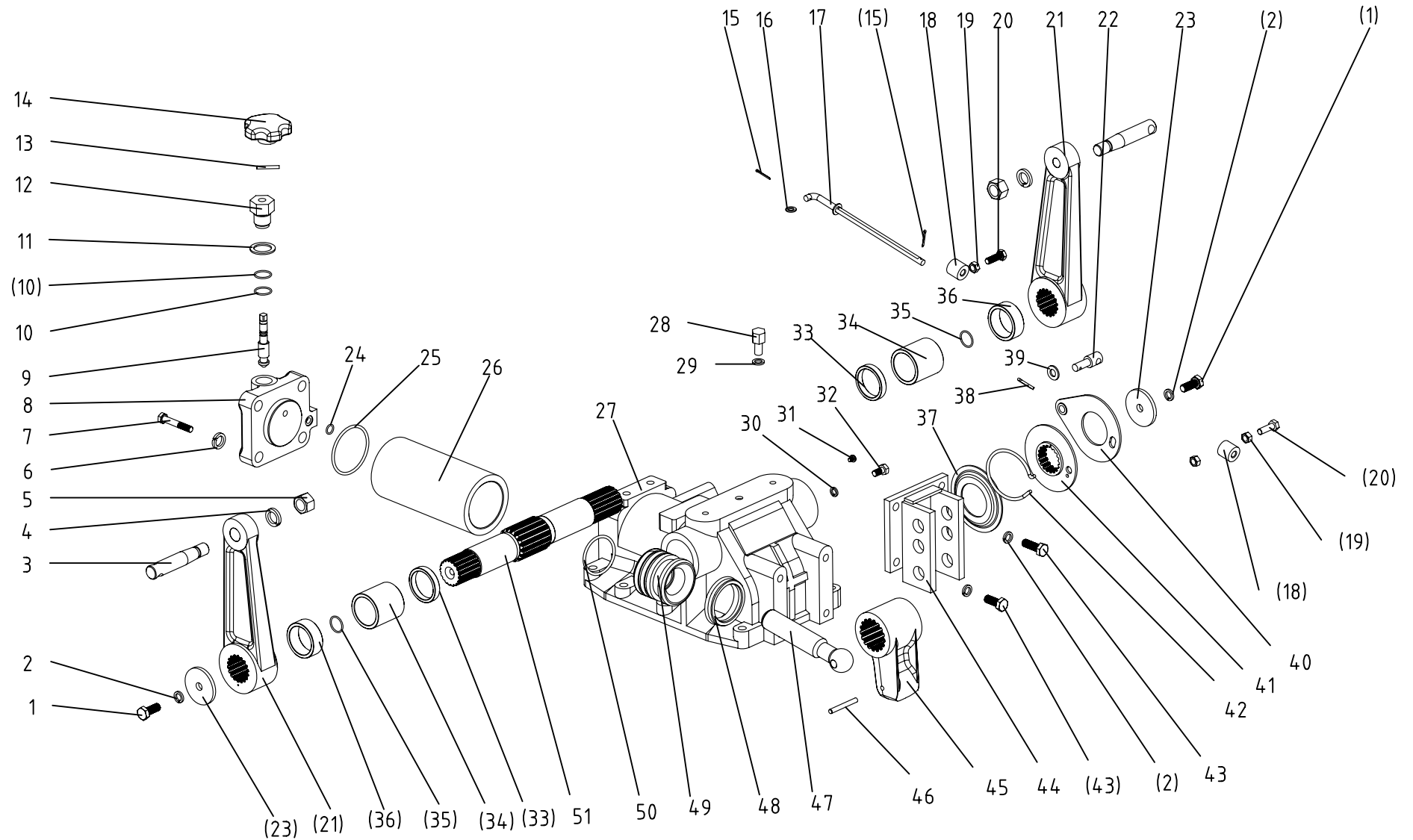
Ser.No.	Part No.	Name & specifications	Quantity	Remarks
1	GB/T5783-2000-M6×20	Hex. head bolt M6×20	4	
2	GB/T93-1987-6	Spring lock washer 6	8	
3	200.55.131	End cover	1	
4	200.55.132	Paper gasket	1	
5	GB/T3289.31-1982-R1/4	Square head oil plug R1/4	1	
6	200.55.126-A	Distributor body	1	
7	GB/T93-1987-8	Spring lock washer 8	3	
8	GB/T70.1-2000-M8×25	Hex.socked cap screwM8×25	2	
9	GB/T5781-2000-M8×75	Hex. head bolt M8×75	1	
10	GB/T880-1986-6×30	Pin 6×30	1	
11	GB/T91-2000-1.6×10	Split pin 1.6×10	2	
12	200.55.128	Fork	1	
13	GB/T3452.1-1992-10.6×1.8	O-ring seal 10.6×1.8	2	
14	404G2-6F.55.013	Handle pole	1	
15	200.55.129-1	Positioning bolt	1	
16	JB-FT-CU-14	Combination washer 14	1	
17	200.55.130	Positioning spring	1	
18	GB/T5783-2000-M6×60	Hex. head bolt M6×60	4	
19	GB/T308-2002-9.5	Steel ball 9.5	1	
20	200.55.123	Fork box	1	
21	200.55.125	Paper gasket	1	
22	200.55.127	Sliding valve	1	
23	GB/T879.1-2000-6×22	Slotted spring pin 6×22	1	
24	GB/T3452.1-1992-17×2.65	O-ring seal 17×2.65	2	
25	GB/T3452.1-1992-10.6×2.65	O-ring seal 10.6×2.65	1	

## 26.2 Hydraulic Oil Distributor

Ser.No.	Part No.	Name & specifications	Quantity	Remarks
26	200.55.138	Pad	1	
27	GB/T308-2002-9	Steel ball dia.9	1	
28	200.55.137	Ball seat	1	
29	200.55.136	Sleeve	1	
30	200.55.135-1	Safty valve Spring	1	
31	200.55.134	Adjusting shims	2~5	
32	200.55.133	Plug	1	
33	404G2-6F.55.011	Hydraulic Oil Distributor	1	

# 26.3 Hydraulic Power Lift

304G2-6F.55.001



### 26.3 Hydraulic Power Lift

Ser.No.	Part No.	Name & Specifications	Quantity	Remarks
1	GB/T5783-2000-M10×25	Hex. head bolt M10×25	2	
2	GB/T93-1987-10	Spring washer 10	6	
3	200.55.105	Lift arm pin	2	
4	GB/T93-1987-16	Spring washer 16	2	
5	GB/T6170-2000-M16	Hex. nut M16	2	
6	GB/T93-1987-14	Spring washer 14	4	
7	GB/T5782-2000-M14×45	Hex. head bolt M14×60	4	
8	200.55.114-1	Cylinder cover	1	
9	200.55.118-1	Hydraulic lock valve	1	
10	GB/T3452.1-1992-6.3×1.8	O-ring seal 6.3×1.8	2	
11	JB1002-77	Washer 22	1	
12	200.55.112-1	Valve -pole nut	1	
13	GB/T879.1-2000-5×24	Pin5×24	1	
14	300.55.020	Handwheel assy	1	
15	GB/T91-2000-2×16	Split pin 2×16	2	
16	GB/T97.1-2002-8	Plain washer 8	1	
17	304G2-6.55.010	Linkage rod	1	
18	200.55.119-1	Limit spot	2	
19	GB/T6170-2000-M8	Hex. nut M8	4	
20	GB/T5783-2000-M8×25	Hex. head bolt M8×25	2	
21	200.55.106	Lift arm	2	
22	200.55.120	Linkage pin	1	
23	200.55.107	Clamping plate	2	
24	GB/T3452.1-1992-10.6×1.8	O-ring seal 10.6×1.8	1	
25	GB/T3452.1-1992-87.5×5.3	O-ring seal 87.5×5.3	1	

### 26.3 Hydraulic Power Lift

Ser.No.	Part No.	Name & Specifications	Quantity	Remarks
26	200.55.115-1	Cylinder	1	
27	200.55.101-2	Lift case	1	
28	200.55.111-2	Vent tube	1	
29	GB3541-83-10	Washer 10	1	
30	GB/T93-1987-8	Spring washer 8	3	
31	GB/T70.1-2000-M8×25	Hex. head bolt M8×25	2	
32	GB/T5783-2000-M8×75	Hex. head bolt M8×75	1	
33	200.55.102	Spacer sleeve	2	
34	200.55.103-1	Bush	2	
35	GB/T3542.1-1992-38.7×5.3	O-ring seal 38.7×5.3	2	
36	200.55.104	Spacer sleeve	2	
37	200.55.122	Retainer plate	1	
38	GB/T91-2000-3.2×20	Split pin 3.2×20	1	
39	GB/T97.1-2002-10	Plain washer 10	1	
40	200.55.014	Driven plate	1	
41	200.55.016	Drive plate weldment	1	
42	200.55.121	Torsion spring	1	
43	GB/T5783-2000-M10×30	Hex. head bolt M10×30	4	
44	280.55.017	Hitching plate	1	
45	200.55.108-2	Inner lift arm	1	
46	GB/T879.1-2000-6×50	Slotted spring pin 6×50	1	
47	200.55.109	Piston push rod	1	
48	200.55.117-1	YX-seal D75	1	
49	200.55.16-1	Piston	1	

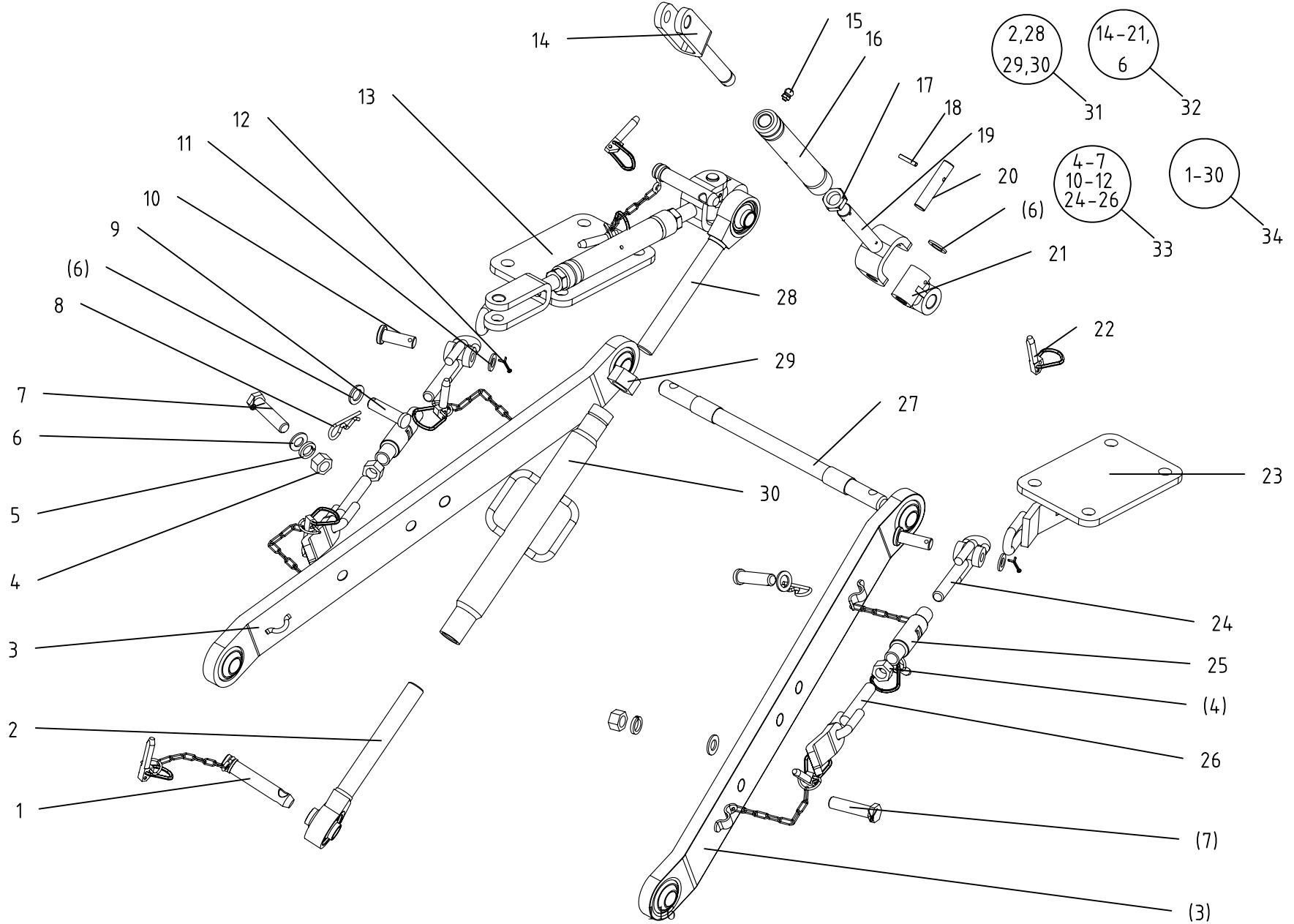
### 26.3 Hydraulic Power Lift

Ser.No.	Part No.	Name & Specifications	Quantity	Remarks
50	GB/T3452.1-1992-69×3.55	O-ring seal 69×3.55	1	
51	200.55.110	Lift shaft	1	



# 27 Suspension Mechanism

280.56.001-1



## 27 Suspension Mechanism

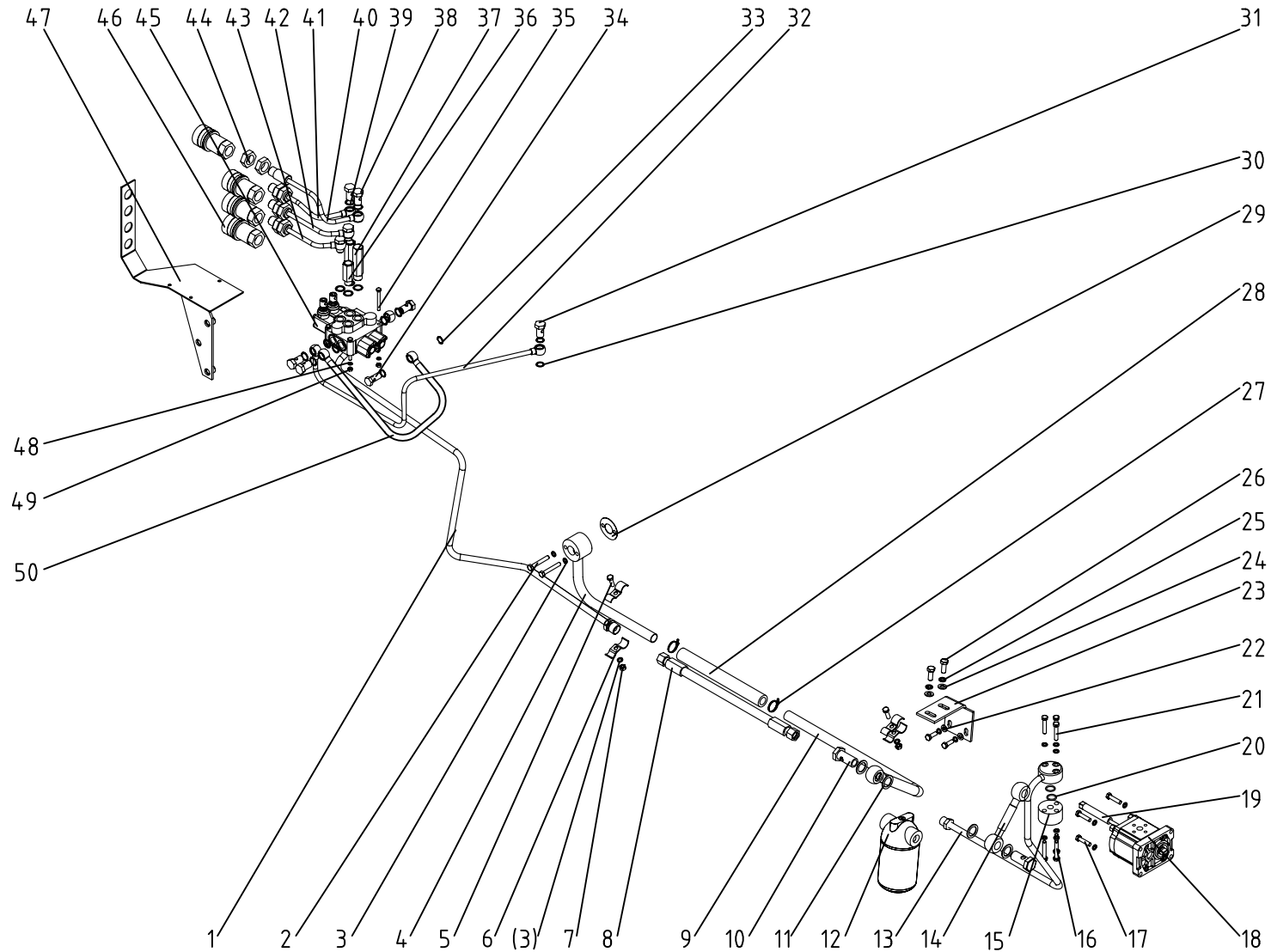
Ser.No.	Part No.	Name & Specifications	Quantity	Remarks
1	200.56.016	Coupling pin of upper link	2	
2	300.56.020-1	Upper link rear adjusting rod	1	
3	280.56.014	Lower link weldment	2	
4	GB/T6170 -2000-M16	Hex.nut M16	2	
5	GB/T93-1987-16	Spring lock washer 16	2	
6	GB/T97.1-2002-16	Plain washer 16	6	
7	GB/T5782-2000-M16×80	Hex. head bolt M16×80	2	
8	200.56.101-1	R-pin	2	
9	GB/T882-1986-B16×55	Clevis pin with head B16×55	2	
10	GB/T882-1986-B12×45	Clevis pin with head B12×45	2	
11	GB/T97.1-2002-12	Plain washer 12	2	
12	GB/T91-2000- 4×20	Split pin 4×20	2	
13	280.56.023A	Left-front check chain	1	
14	280.56.018	Lower clevis of lift rod	2	
15	JB/T7940.1-1995-M10×1	Grease nipple M10×1	2	
16	280.56.029	Lift rod upper clevis	2	
17	GB/T6173-2000-M20×2	Hex.nut M20×2	2	
18	GB/T91-2000- 3.2×26	Split pin 3.2×26	2	
19	280.56.017	Lift rod up clevis	2	
20	GB/T882 -1986-B16×80	Clevis pin with head 16×80	2	
21	300.56.113	Cross joint of lift rod	2	
22	200.56.011	Kock pin	2	
23	280.56.022A	Right-front check chain	1	
24	280.56.020	Front check chain	2	
25	300.56.155-1	Adjusting sleeve	2	

## 27 Suspension Mechanism

Ser.No.	Part No.	Name & Specifications	Quantity	Remarks
26	280.56.019	Rear check chain	2	
27	200.56.103	Lower link shaft	1	
28	300.56.018-1	Upper link front adjusting rod	1	
29	GB/T6170-2000-M24	Hex .nut M24	1	
30	280.56.016	Turn buckle of upper link	1	
31	280.56.012	Upper link assembly	1	
32	280.56.013	Lift rod assembly	2	
33	280.56.015	Check chain assembly	2	
34	280.56.001	Suspension mechanism assembly	1	

# 28.1 Hydraulic Lifting Pipeline Assembly

304G2-E. 58. 001



## 28.1 Hydraulic Lifting Pipeline Assembly

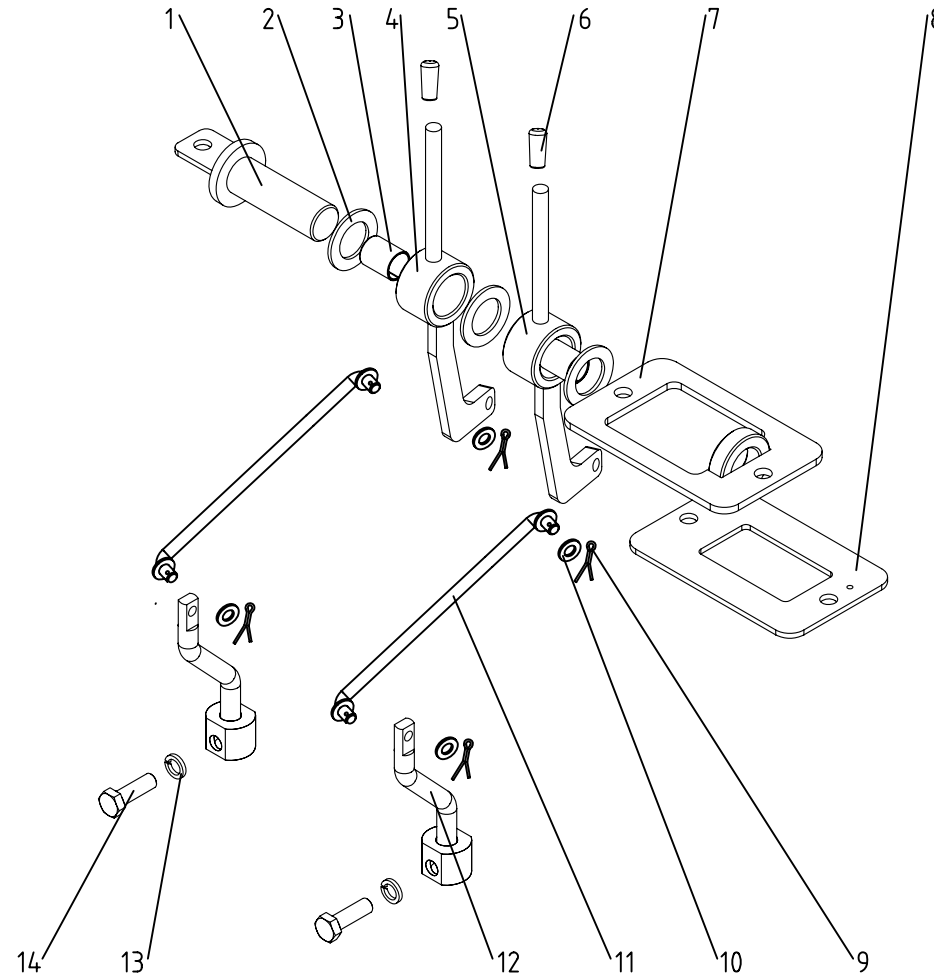
Ser.No.	Part No.	Name & Specifications	Quantity	Remarks
1	304G2-E.58.015	Inlet pipe weldment	1	
2	GB/T5783-2000-M8×55	Hex. head bolt M8×55	2	
3	GB/T93-1987-8	Spring lock washer 8	15	
4	404G2-6F.58.018	Filter inlet pipe weldment(1)	1	
5	GB/T5783-2000-M8×25	Hex. head bolt M8×25	4	
6	404B.58D.120-1	Fixed clip	4	
7	GB/T6170-2000-M8	Hex.nut M8	2	
8	254-5.58.013	Hose assy	1	
9	304G2-6.58.015-1	Filter inlet pipe weldment(2)	1	
10	320.58.108	Hollow bolt M22×1.5	2	
11	JB-FT-CU-22	Combination washer 22	4	
12	YX0811A2-0000	Filter	1	
13	404G2-6F.58.017-1	Front inlet pipe weldment	1	
14	304G2-6.58.021	Inlet pipe assy of gear pump	1	
15	304G2-6.58.113	Linking tube	1	
16	GB/T5783-2000-M8×45	Hex. head bolt M8×45	3	
17	GB/T5783-2000-M8×35	Hex. head bolt M8×35	3	
18	CBN-F310B	Gear pump	1	
19	300.58.102	Fixup bolt	1	
20	GB/T3452.1-1992-18×2.65	O-ring seal 18×2.65	2	
21	GB/T5783-2000-M8×40	Hex. head bolt M8×40	3	
22	GB/T97.1-2002-8	Plain washer 8	2	
23	304G2-6.58.102	Fix plank	1	
24	GB/T97.1-2002-10	Plain washer 10	2	
25	GB/T93-1987-10	Spring lock washer 10	2	

## 28.1 Hydraulic Lifting Pipeline Assembly

Ser.No.	Part No.	Name & Specifications	Quantity	Remarks
26	GB/T5783-2000-M10×20	Hex. head bolt M10×20	2	
27	JB/T8870-1999-2A(25-38)	Hoop 2A(25-38)	2	
28	HG4-761-74-22×32×270	Hose 22×32×270	1	
29	304.58A.101	Paper gasket	1	
30	JB-FT-CU-16	Combination washer 16	2	
31	JB/T6013-2000-M16×1.5	Hollow bolt M16×1.5	1	
32	304G2-E.58.016	Return pipe weldment	1	
33	JB-FT-CU-14	Combination washer 14	2	
34	200.55.124	Hollow bolt	1	
35	GB/T5782-2000-M6×55	Hex. head bolt M6×55	3	
36	254-1.61.101	Linking tube	1	
37	304G2-6.61.118	Linking tube	2	
38	354.61.101	Hollow bolt	7	
39	354.61.102	Spring lock washer	17	
40	404G2-6F.58.027	Outlet pipe weldment(4)	1	
41	404G2-6F.58.025	Outlet pipe weldment(3)	1	
42	404G2-6F.58.023	Outlet pipe weldment(2)	1	
43	404G2-6F.58.021	Outlet pipe weldment(1)	1	
44	GB/T6173-2000-M24×2	Hex.nut M24×2	8	
45	ZD-10E-W/0-T/0-1	Multiple Directional Control Val	1	
46		Quick change NPT1/2"	4	
47	304G2-E.58.011	Connecting plant weldment	1	
48	GB/T93-1987-6	Spring lock washer 6	3	
49	GB/T6170-2000-M6	Hex.nut M6	3	
50	304G2-E.58.013	Inlet pipe weldment	1	

## 28.2 Multiple Directional Control Valve Operation Mechanism

304G2-E. 58. 012



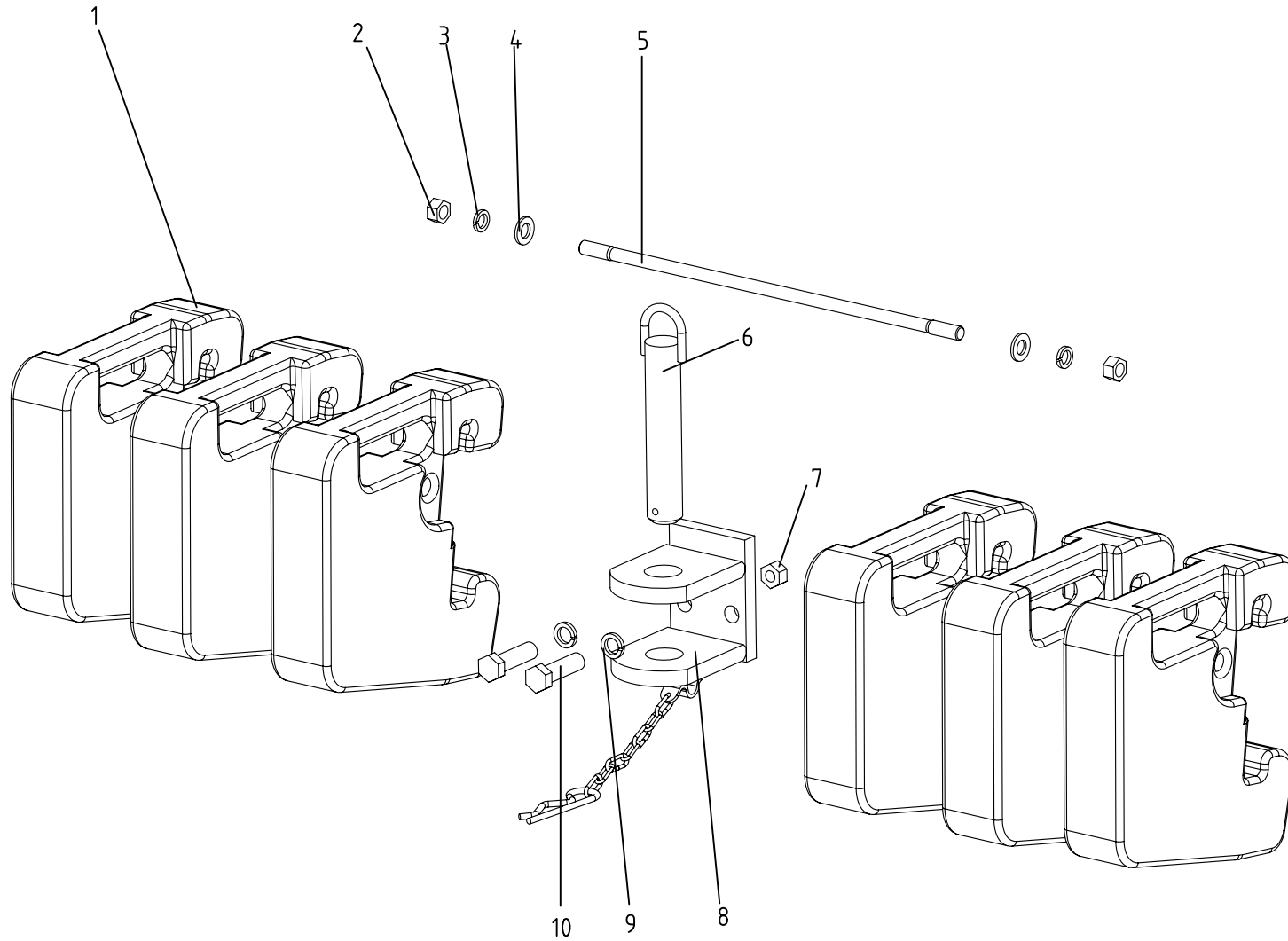
## 28.2 Multiple Directional Control Valve Operation Mechanism

Ser. No.	Part No.	Name & Specifications	Quantity	Remarks
1	504G3-3.51.041	Fixed axis(1)	1	
2	504G3-3.51.161	Nylon washer	3	
3	504G3.55.218	Sleeve(20×20)	2	
4	304G2-E.58.023	Left control rod weldment	1	
5	304G2-E.58.024	Right control rod weldment	1	
6	504G3-3.51.231	Control handle	2	
7	504G3-3.51.040	Fixed board(1)	1	
8	504G3-3.51.107	Sealing gasket(4)	1	
9	GB/T971-2000-2×16	Split pin 2×16	4	
10	GB/T97.1-2002-5	Plain washer 5	4	
11	304G2-E.58.022	Connecting rod	2	
12	404G2-E.58.022	Manipulate lever weldment	2	
13	GB/T93-1987-8	spring lock washer 8	2	
14	GB/T5783-2000-M8×25	Hex.head bolt M8×25	2	



# 29 Front Balance Weight

400-6.73.001

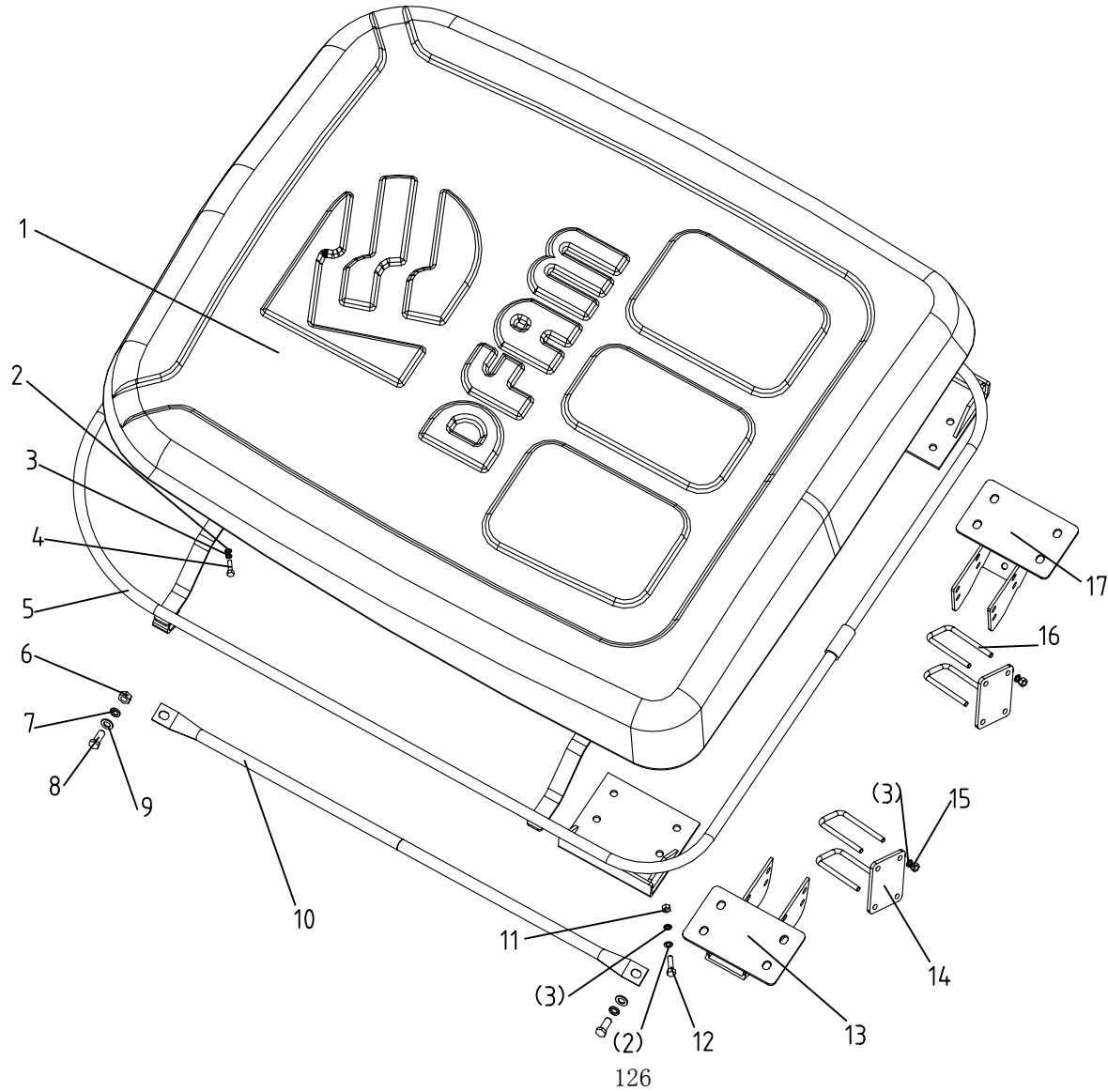


### 29 Front Balance Weight

Ser.No.	Part No.	Name & Specifications	Quantity	Remarks
1	250.73.101-1	Balance weight block	6	
2	GB/T6170-2000-M12	Hex.nut M12	2	
3	GB/T93-1987-12	Spring lock washer 12	2	
4	GB/T96-2002-12	Plain washer 12	2	
5	GB/T953-1988-M12×490	Clamping-type double stud M12×490	1	
6	300-6.73.012	Bolt weldment	1	
7	GB/T6170-2000-M14	Hex.nut M14	2	
8	300.73.011	Front drawbar weldment	1	
9	GB/T5783-2000-M12×45	Hex.bolt M14×45	2	
10	GB/T93-1987-14	Spring lock washer 14	2	

# 30 Sunshade (Optional)

304-9A.45.001



### 30 Sunshade

Ser.No.	Part No.	Name & Specifications	Quantity	Remarks
1	254G3.45.101	Sunshade	1	
2	GB/T97.1-2002-12	Plain washer 12	16	
3	GB/T93-1987-12	Spring lock washer 12	12	
4	GB/T5783-2000-M12×25	Hex. head bolt M12×25	4	
5	304-9A.45.011	Ascending shore	1	
6	GB/T6170-2000-M10	Hex. nut M10	2	
7	GB/T93-1987-10	Spring lock washer 10	4	
8	GB/T97.1-2002-10	Plain washer 10	4	
9	GB/T5783-2000-M10×30	Hex. head bolt M10×30	4	
10	304-9A.45.101	Support tube	2	
11	GB/T6170-2000-M12	Hex. nut M12	8	
12	GB/T5783-2000-M12×35	Hex. head bolt M12×35	8	
13	304-9A.45.016	Left shore	1	
14	304-9A.45.102	Immobility board	2	
15	GB/T6182-2000-M12	Hex. nut M12	4	
16	304-9A.45.103	U-bolt	4	
17	304-9A.45.017	Right shore	1	

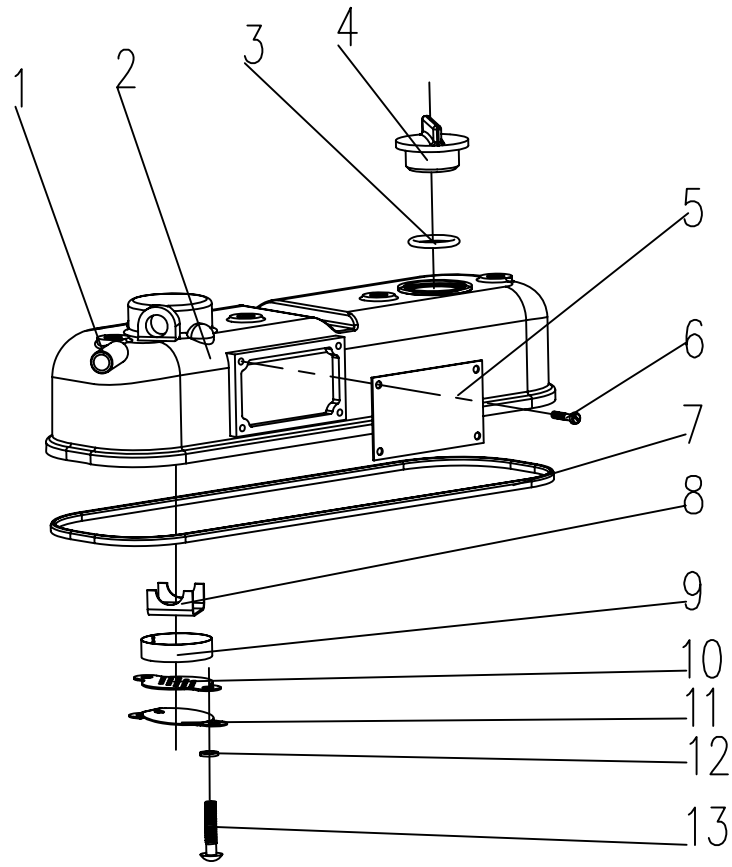


图1 气缸盖罩总成

Fig.1 Cylinder head cover assembly

### 31 Cylinder Head Cover Assembly (Fig. 1)

Ser.No.	Part No.		Name & Specifications	Quantity	Remarks
1	N85-01004		Breather tube	1	
2	ZN390TE-01003		Cylinder head cover	1	
3	GB/T3452.1-2005-33.5×2.65		Seal ring 33.5×2.65	1	
4	N85-01002		Oil filling cover	1	
5	ZN390TE-01018(H)		EC Emission label	1	
6	GB/T65-2000-M4×6		Bolt M4×6	4	
7	N385-01001		Cylinder head cover seal ring	1	
8	N85-01005		Retainer	1	
9	N85-01008		Steel wool screen	1	
10	N85-01007		Multi-hole retaining plate	1	
11	N85-01006		Oil retainer	1	
12	GB/T859-1987-6		Washer 6	2	
13	GB/T65-2000-M6×12		Screw M6×12	2	

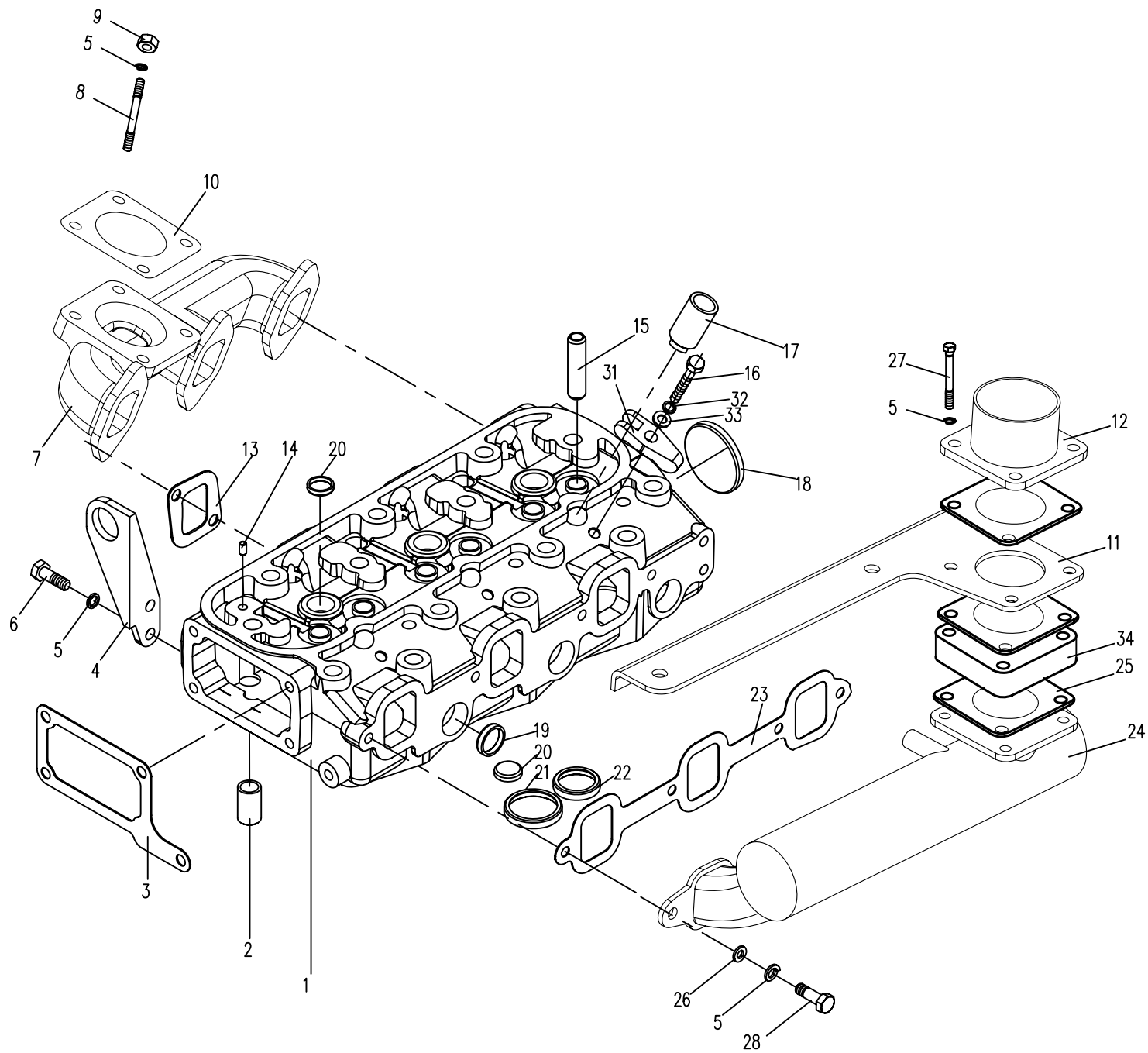


图2 气缸盖总成

Fig.2 Cylinder head assembly

### 32 Cylinder Head Assembly (Fig. 2)

Ser.No.	Part No.	Name & Specifications	Quantity	Remarks
1	ZN390TE-02108	Cylinder head	1	
2	N85-02101A	Sleeve	3	
3	N485T-08017	Water pump adapter gasket	1	
4	N85-02004	Lifting eye	2	
5	GB/T859-1987-8	Washer 8	36	
6	GB/T5783-2000-M8×20	Bolt M8×20	4	
7	ZN390T-10001 (D)	Exhaust manifold	1	
8	GB/T899-1988-M8×75	Stud M8×75	6	
9	GB/T6170-2000-M8	Nut M8	16	
10	N485Q-10002 (H)	Gasket	1	
11	N485Q-09012 (B)	Install board	1	
12	N485Q-09002M	Intake joint pipe	1	
13	N85-02006	Exhaust manifold gasket	3	
14	N485QA-02110	Sleeve	1	
15	N85-02105	Valve guide	6	
16	GB/T5782-2000-M10×55	Bolt M10×55	3	
17	4L68-021005	Injector insert	3	
18	N85-02104	Expansion plug Φ 55	1	
19	N485-02109	Expansion plug Φ 26	3	
20	N485-02102	Expansion plug Φ 20	6	
21	ZN390TE-02106	Exhaust valve seat	3	
22	ZN390TE-02107	Intake valve seat	3	
23	ZN390T-02005	Intake manifold gasket	1	
24	ZN390TE-09001 (C)	Intake manifold	1	
25	N485-09006	Gasket	4	



### 32 Cylinder Head Assembly (Fig. 2)

Ser.No.	Part No.	Name & Specifications	Quantity	Remarks
26	GB/T97.1-2002-8	Washer 8	4	
27	GB/T5783-2000-M8×45	Bolt M8×45	4	
28	GB/T5783-2000-M8×28	Bolt M8×28	4	
29	N485-09005	Cover	2	
30	GB/T5783-2000-M8×16	Bolt M8×16	8	
31	4L68-020009	Injector clamping plate	3	
32	GB/T97.1-2002-10	Washer 10	3	
33	GB/T859-1987-10	Washer 10	3	
34	N485Q-09100	Air heater	1	

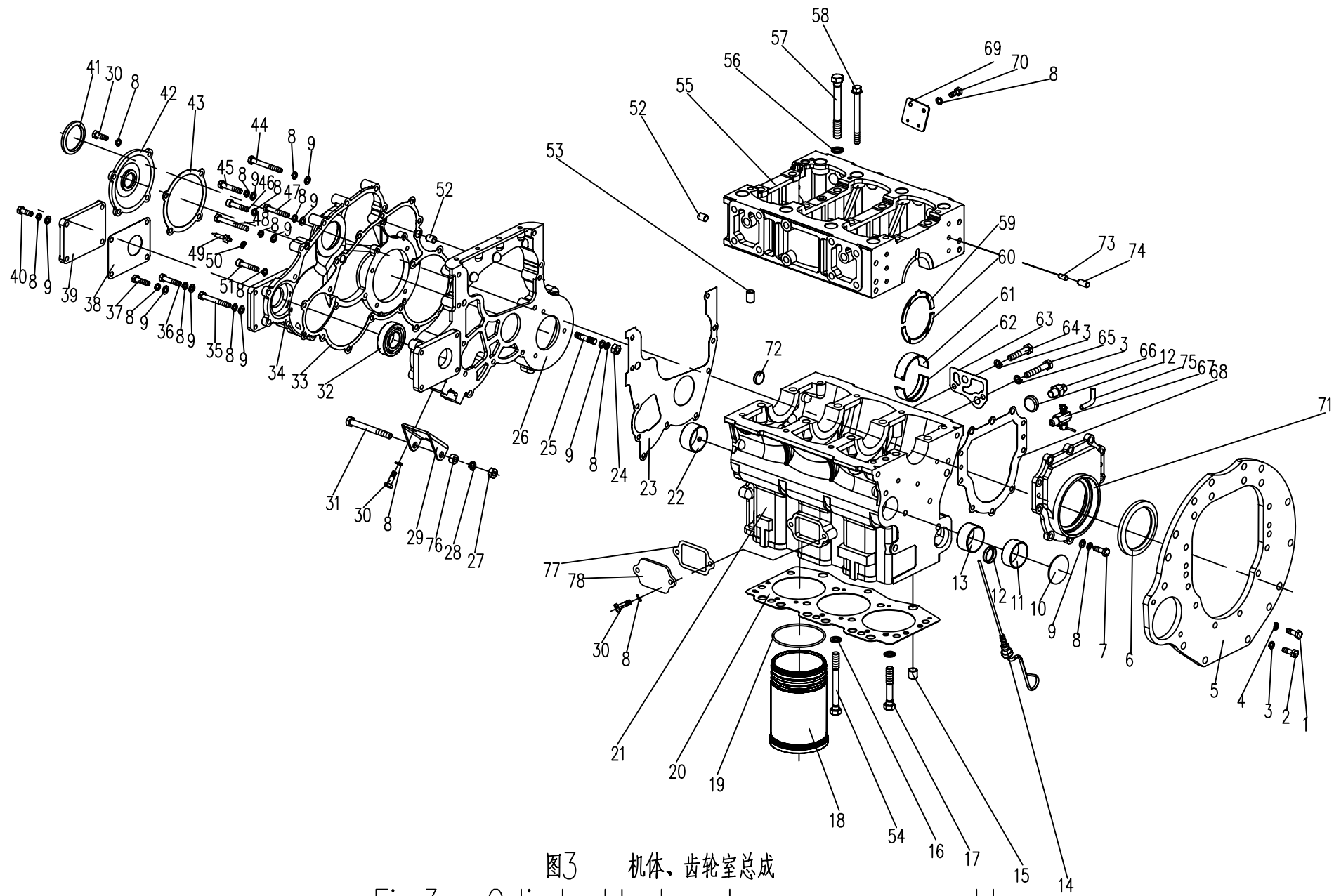


图3 机体、齿轮室总成  
Fig.3 Cylinder block and gear case assembly

### 33 Cylinder Block and Gear Case Assembly(Fig. 3)

Ser.No.	Part No.		Name & Specifications	Quantity	Remarks
1	GB/T5782-2000-M10×25		Bolt M10×25	10	
2	GB/T5782-2000-M12×25		Bolt M12×25	2	
3	GB/T859-1987-12		Washer 12	2	
4	GB/T859-1987-10		Washer 10	12	
5	N390T-03012F		Flywheel housing	1	
6	HG4-692-67-DL85×110×12		Oil seal DL85×110×12	1	
7	GB/T5783-2000-M8×25		Bolt M8×25	7	
8	GB/T859-1987-8		Washer 8	48	
9	GB/T848-1985-8		Washer 8	42	
10	N85-03108		Expansion plug	1	
11	4L88-031009A		Camshaft rear bushing	1	
12	N85-03102		Expansion plug φ 30	4	
13	4L88-031012		Camshaft middle bushing	1	
14	N390T-03301A		Oil dipstick	1	
15	N85-03017		Cylinder head locating sleeve	2	
16	N85-03014		Cylinder head bolt washer	14	
17	N85-03015-2		Long cylinder head bolt	11	
18	ZN390TE-03003		Cylinder liner	3	
19	N90-03002		Water seal ring	6	
20	ZN390TE-03013		Cylinder head gasket	1	
21	N390T-03101		Cylinder block	1	
22	4L88-031012 (A)		Camshaft bushing	1	
23	N85-12001		Gear case gasket	1	
24	GB/T6170-2000-M8		Nut M8	3	
25	GB/T899-1988-M8×35		Bolt M8×35	3	

### 33 Cylinder Block and Gear Case Assembly(Fig. 3)

Ser.No.	Part No.	Name & Specifications	Quantity	Remarks
26	N85T-12002	Gear case	1	
27	GB/T6170-2000-M10	Nut M10	1	
28	GB/T93-1987-10	Washer 10	1	
29	N390T-12007 (C)	Generator bracket	1	
30	GB/T5782-2000-M8×20	Bolt M8×20	8	
31	GB/T5782-2000-M10×90	Bolt M10×90	1	
32	GB/T276-1982-6007	Bearing 6007	2	
33	N85T-12003	Gear case cover gasket	1	
34	N85T-12004	Gear case cover	1	
35	GB/T5782-2000-M8×65	Bolt M8×65	3	
36	GB/T5782-2000-M8×40	Bolt M8×40	1	
37	GB/T5782-2000-M8×30	Bolt M8×30	2	
38	N85T-12010	Hydraulic pump cover gasket	2	
39	N85T-12009	Hydraulic pump cover	2	
40	GB/T5782-2000-M8×25	Bolt M8×25	11	
41	GB/T9877-2008-DR52×72×12	Oil seal DR52×72×12	1	
42	N485T-12005	Gear case front cover	1	
43	N485T-12006	Gear case front cover gasket	1	
44	GB/T5782-2000-M8×80	Bolt M8×80	1	
45	GB/T5782-2000-M8×45	Bolt M8×45	3	
46	GB/T70-1985-M8×55	Inner hexagon cylindrical bolt M8×55	1	
47	GB/T5782-2000-M8×50	Bolt M8×50	2	
48	GB/T5782-2000-M8×75	Bolt M8×75	1	
49	N85T-12008	T.D.C. pointer	1	

### 33 Cylinder Block and Gear Case Assembly(Fig. 3)

Ser.No.	Part No.	Name & Specifications	Quantity	Remarks
50	GB/T859-1987-6	Washer 6	1	
51	GB/T70-1985-M8×20	Inner hexagon cylindrical bolt M8×20	3	
52	N85-03001	Gear case locating sleeve	3	
53	N85T-03110	Dowel pin	2	
54	N85-03016-2	Short cylinder head bolt	3	
55	N390T-03115	Monolithic main shaft cover	1	
56	N85-03105	Main shaft cover bolt washer	8	
57	N85T-03107	Main shaft cover bolt	8	
58	N85T-03108	Main bearing cap bolt	8	
59	N85-03007	Crankshaft thrust plate(lower)	2	
60	N85-03009	Crankshaft thrust plate(upper)	2	
61	N85-03006	Main bearing shell(lower)	4	
62	N85-03008	Main bearing shell(upper)	4	
63	N85T-03020	Lubricating oil filter gasket	1	
64	GB/T5782-2000-M10×35	Bolt M10×35	1	
65	GB/T5782-2000-M10×70	Bolt M10×70	1	
66	N85-03004	Oil pressure sensor	1	
67	ZN390TE-03200	Water draining cock	1	
68	N85T-03005	Rear oil seal cover gasket	1	
69	N390T-03024C	Fuel filter support	1	
70	GB/T5783-2000-M8×20	Bolt M8×20	4	
71	N85T-03010	Rear oil seal cover	1	
72	N85-03111	Blocking plug	4	
73	GB/T119-2000-B8×16	Pin B8×16	2	

### 33 Cylinder Block and Gear Case Assembly(Fig. 3)

Ser.No.	Part No.	Name & Specifications	Quantity	Remarks
74	GB/T119-2000-B10×22	Pin B10×22	2	
75	ZN390T-03202	Water draining cock pipe	1	
76	CZ475Q-120009	Generator bracket cushion	1	
77	N85-19005	Push-rod chamber cover gasket	1	
78	ZN390TE-03025B	Push-rod chamber cover	1	

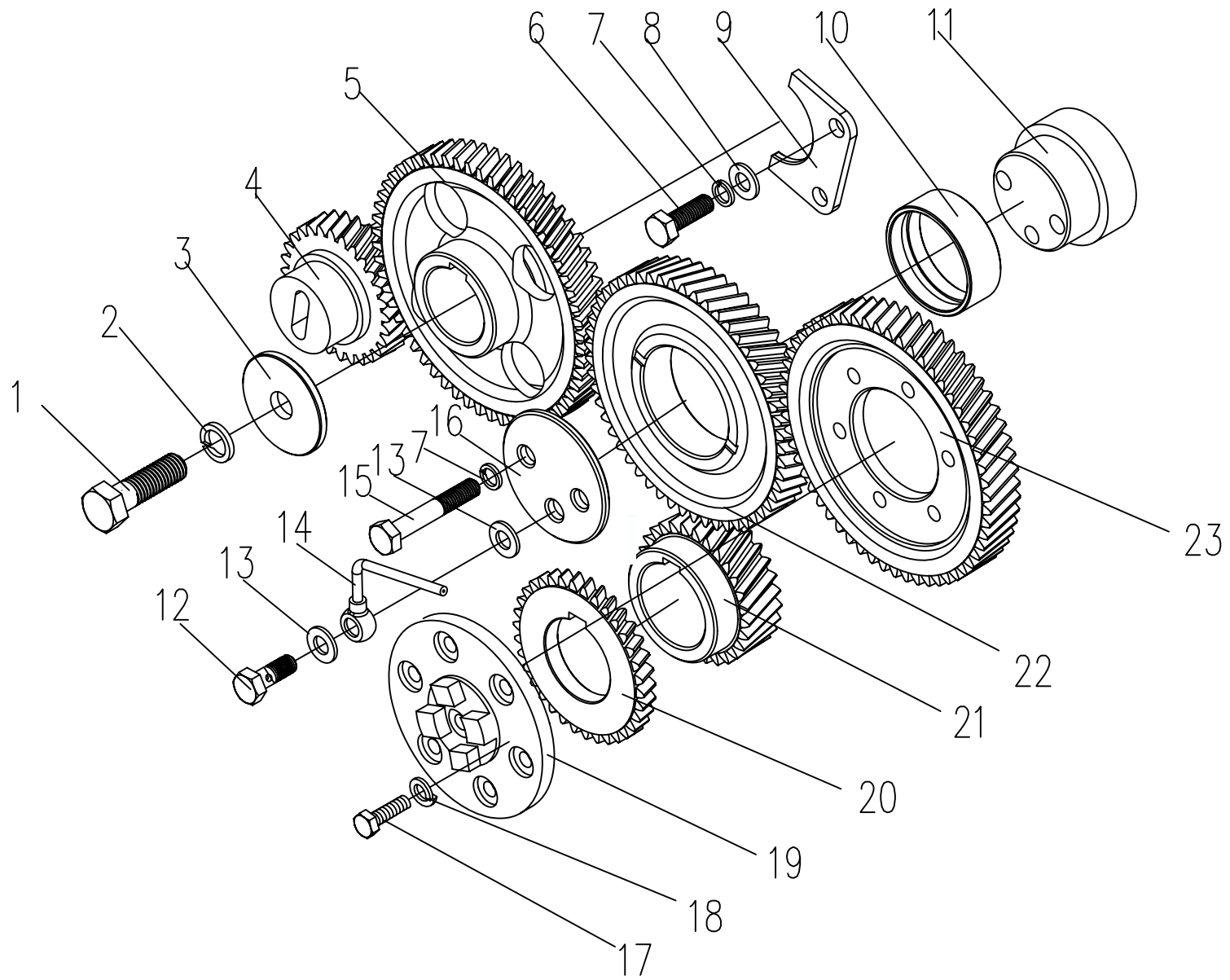


Fig.4 Timing gear train

### 34 Timing Gear Train(Fig. 4)

Ser.No.	Part No.	Name & Specifications	Quantity	Remarks
1	GB/T5782-2000-M12×30	Bolt M12×30	1	
2	GB/T859-1987-12	Washer 12	1	
3	N85-04009	Camshaft timing gear retainer	1	
4	N85T-04011A-1	Hydraulic pump gear	1	
5	N85T-04007	Camshaft timing gear	1	
6	GB/T5782-2000-M8×16	Bolt M8×16	2	
7	GB/T859-1987-8	Washer 8	4	
8	GB/T97.1-2002-8	Washer 8	2	
9	N85-04008	Camshaft retainer	1	
10	4L88-040002	Timing idle gear bushing	1	
11	N85T-04004A	Timing idle gear shaft	1	
12	N85T-04012	Hollow bolt	1	
13	195-09001-1	Washer	2	
14	N85T-04100	Oil pipe	1	
15	GB/T5782-2000-M8×50	Bolt M8×50	2	
16	N85T-04003	Timing idle gear retainer	1	
17	GB/T5783-2000-M6×25	Bolt M6×25	6	
18	GB/T859-1987-6	Washer 6	6	
19	N485T-32001D	Adapter	1	
20	N85-04010	Lubricating oil pump driving gear	1	
21	N85-04006	Crankshaft timing gear	1	
22	4L88-040005	Timing idle gear	1	
23	N485T-04001	Injection pump timing gear	1	



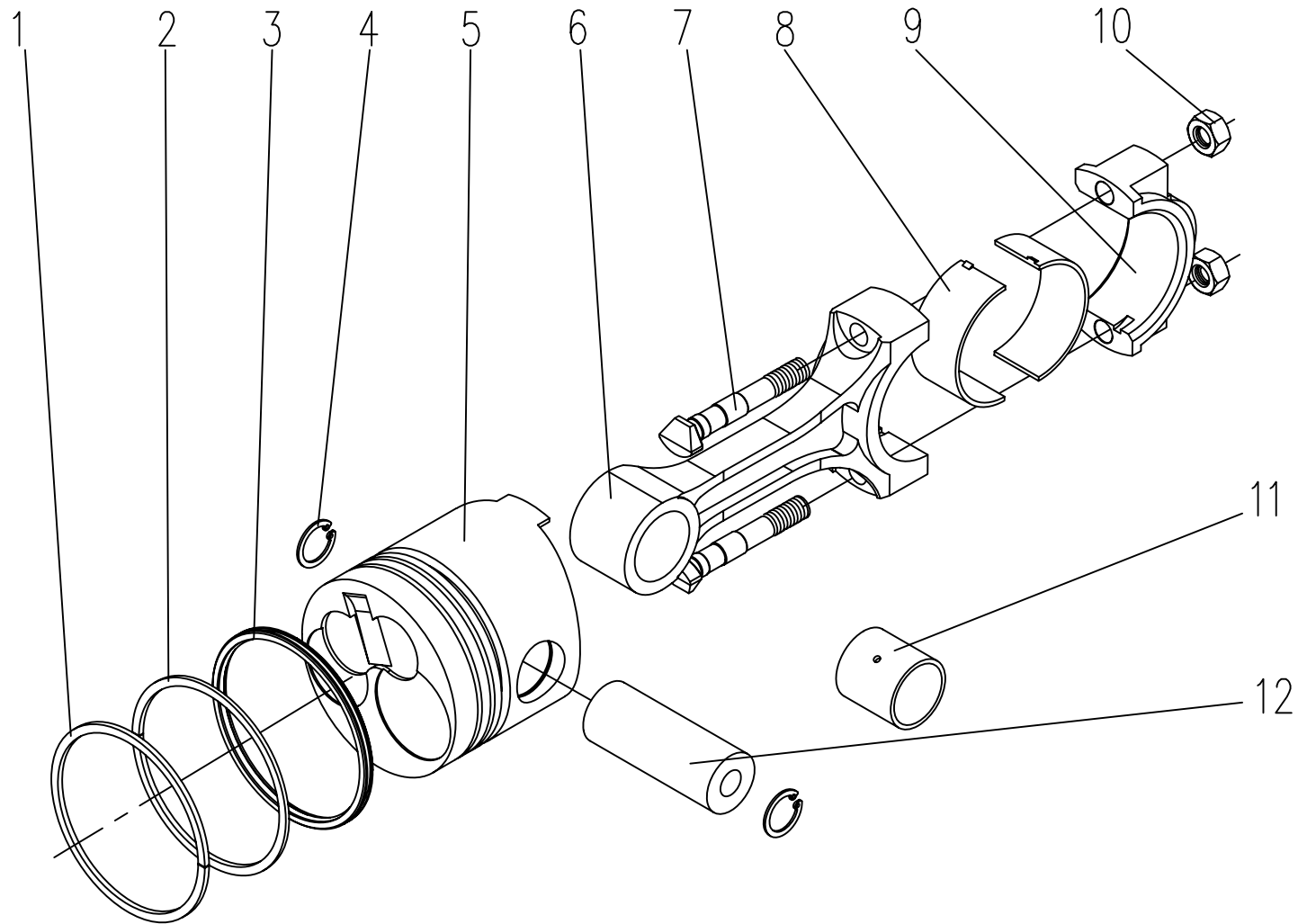


Fig.5 Piston and connecting rod assembly

### 35 Piston and Connecting Rod Assembly (Fig. 5)

Ser.No.	Part No.	Name & Specifications	Quantity	Remarks
1	ZN90QA-05002	1st piston ring	3	
2	N90-05003	2nd piston ring	3	
3	N90-05100	Oil ring	3	
4	GB/T893.2-1986-28	Circlip 28	6	
5	ZN390TE-05001	Piston	3	
6	N85-03201	Connecting rod	3	
7	N85-05203	Connecting rod bolt	6	
8	ZN85QA-05005	Connecting rod bearing shell	6	
9	N85-05204	Connecting rod cap	3	
10	N85-05205	Connecting rod nut	6	
11	N85-05202	Connecting rod bushing	3	
12	N85-05004	Piston pin	3	

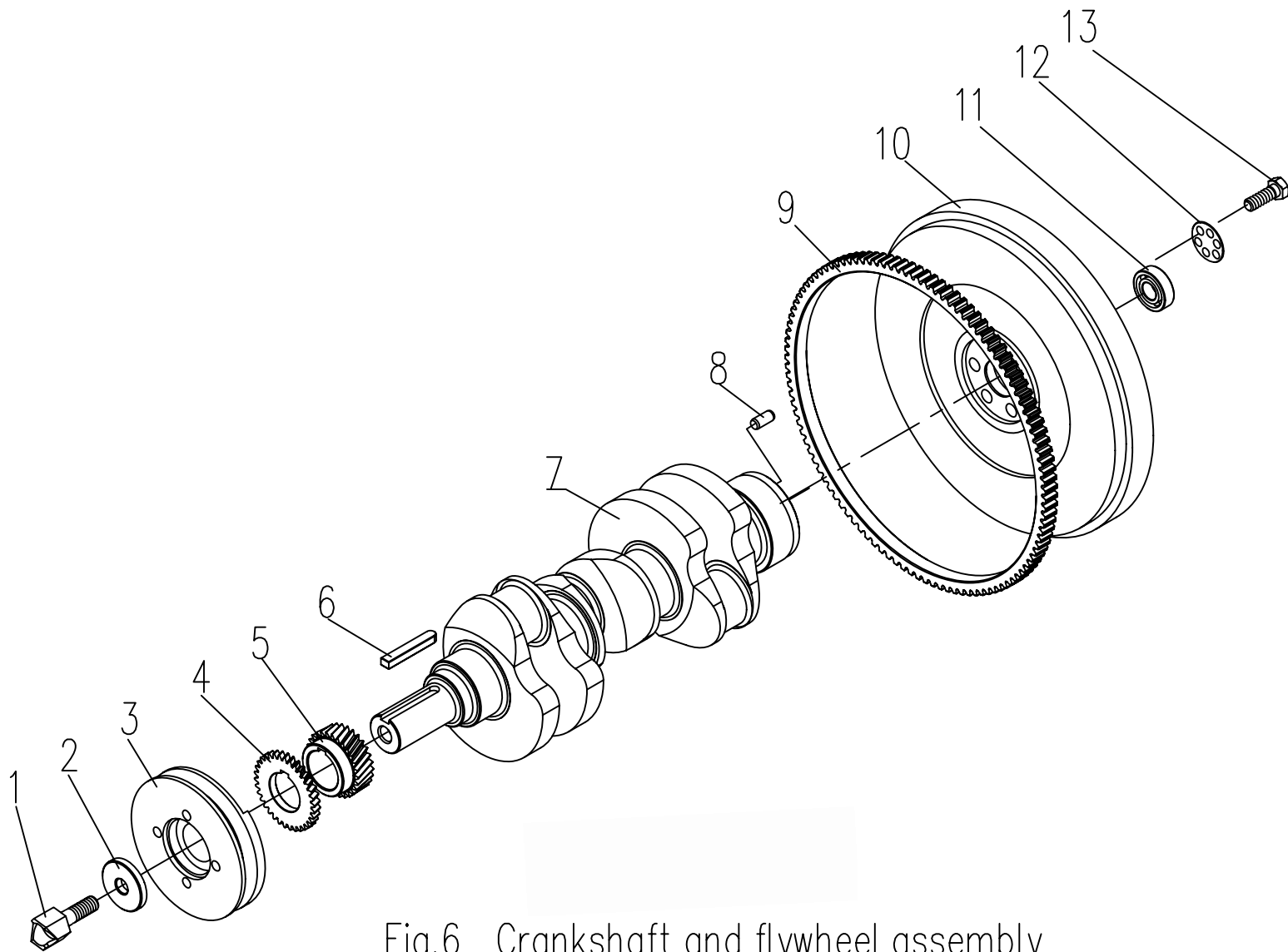


Fig.6 Crankshaft and flywheel assembly

### 36 Crankshaft and Flywheel Assembly (Fig. 6)

Ser.No.	Part No.	Name & Specifications	Quantity	Remarks
1	N390T-06003	Staring jaw	1	
2	N85-06002	Staring jaw washer	1	
3	N390T-06001	Crankshaft pulley	1	
4	N85-04010	Lubricating oil pump driving gear	1	
5	N85-04006	Crankshaft timing gear	1	
6	GB/T1096-2003-C10×63	Key C10×63	1	
7	N385-06004	Crankshaft	1	
8	GB/T119-2000-B10×20	Cylindrical pin B10×20	1	
9	N485-06102	Flywheel ring gear	1	
10	N390T-06101(G)	Flywheel	1	
11	GB/T276-1994-6004-2LS	Ball bearing 6004-2LS	1	
12	N85-06005A	Flywheel blot washer	1	
13	N390T-06006(B)	Flywheel blot	6	

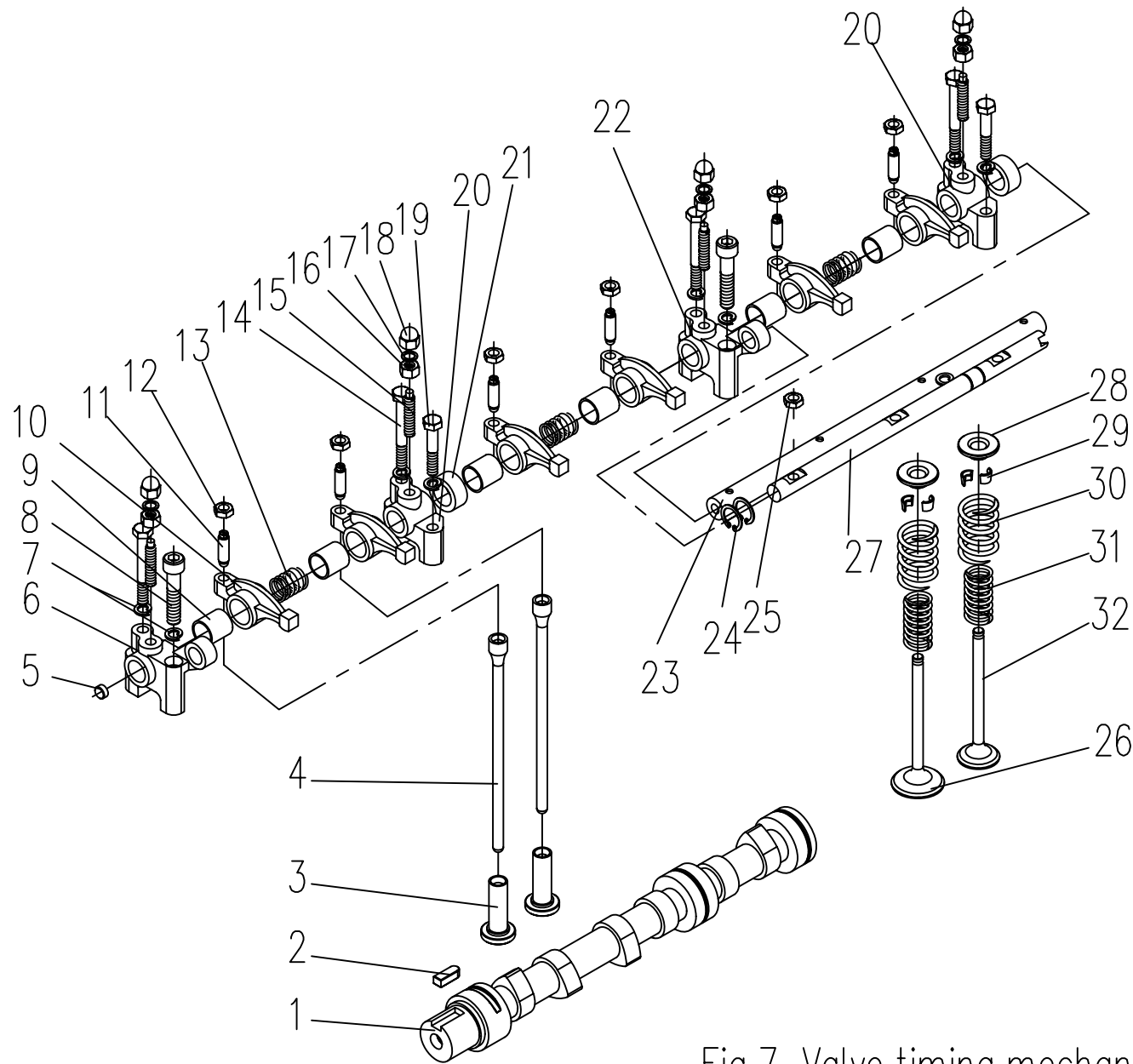


Fig.7 Valve timing mechanism

### 37 Valve Timing Mechanism(Fig. 7)

Ser.No.	Part No.	Name & Specifications	Quantity	Remarks
1	N385-07001	Camshaft	1	
2	GB/T1096-2003- C10×25	Falt key C10×25	1	
3	N85-07003	Valve tappet	6	
4	ZN390TE-07002	Valve push rod	6	
5	N85-02208	Blocking plug	2	
6	N390T-02201	Front rocker arm support	1	
7	GB/T859-1987-8	Washer 8	6	
8	GB/T70-1985-M8×45	Screw M8×45	3	
9	N85-02212	Valve rocker arm bushing	6	
10	N85-02211	Valve rocker arm	6	
11	N85-02202	Valve clearance adjusting screw	6	
12	N85-02203	Valve clearance adjusting nut	6	
13	N85-02205	Valve rocker arm spring	3	
14	GB/T5782-2000-M8×60	Bolt M8×60	4	
15	GB/T79-1985-M8×50	Screw M8×50	4	
16	GB/T6170-2000-M8	Nut M8	4	
17	GB/T97.1-2002-8	Washer 8	4	
18	GB/T923-2000- M8	Nut M8	4	
19	GB/T5782-2000- M8×45	Bolt M8×45	2	
20	N85-02204	Rocker arm support	2	
21	N85-02206	Rocker arm shaft bushing	2	
22	N85-02204	Rocker arm support	1	
23	N385-02207	Rocker arm shaft	1	
24	GB/T894.1-1986-14	Circlip 14	2	
25	GB/T6172-2000-M8×1	Nut M8×1	3	

### 37 Valve Timing Mechanism(Fig. 7)

Ser.No.	Part No.	Name & Specifications	Quantity	Remarks
26	ZN390TE-02008	Intake valve	3	
27	N390T-01013	Decompression shaft	1	
28	N85-02001(1)	Valve spring seat(upper)	6	
29	N85-02002	Valve collet	12	
30	N85-02003(1)	Valve outer spring	6	
31	N85-02003(2)	Valve inner spring	6	
32	ZN390TE-02007	Exhaust valve	3	

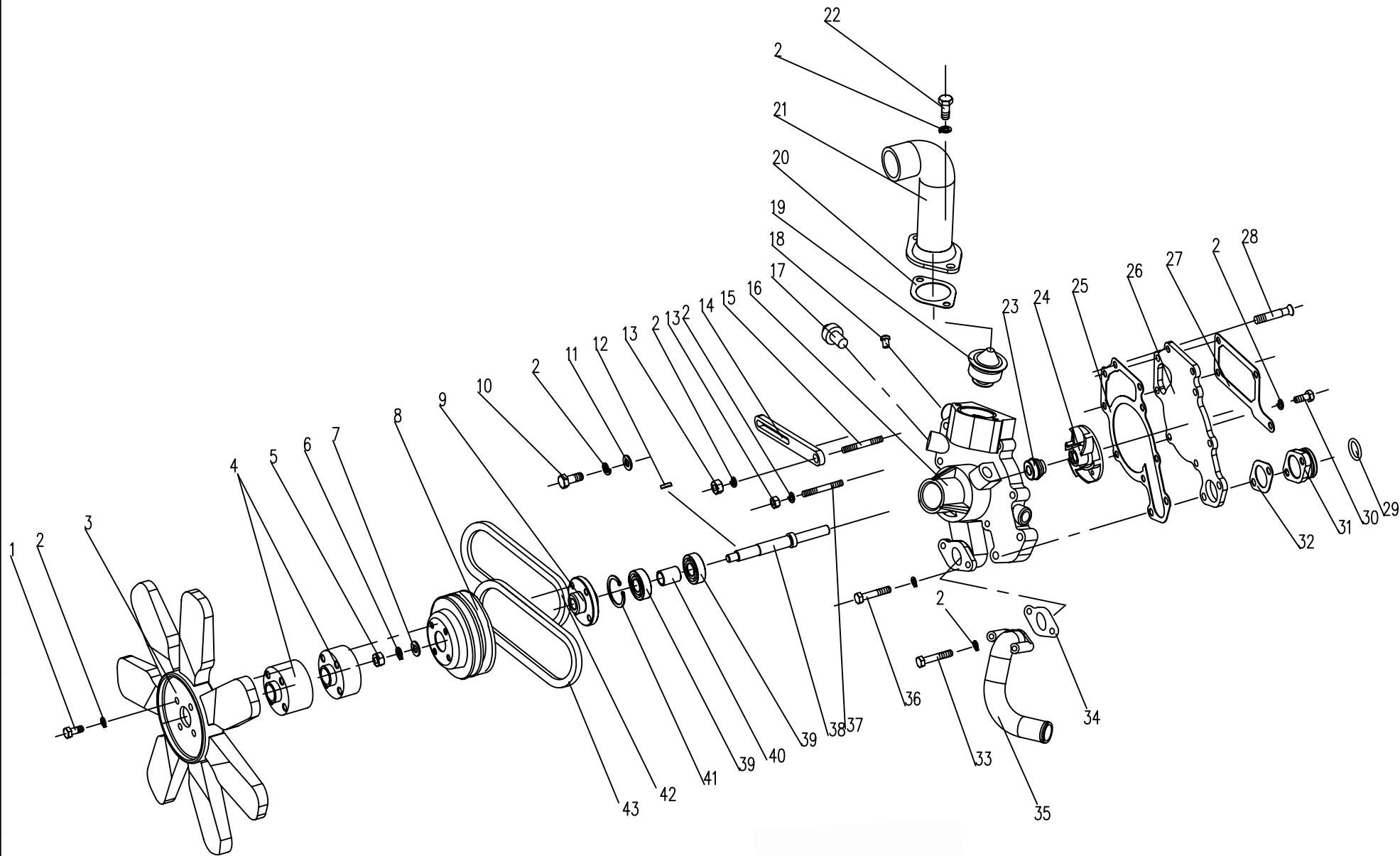


Fig.8 Water Pump and Fan Assembly

備(通)用件登記
描(录入)圖
描(录入)校
旧底圖總号
底圖總号
簽字
日期



### 38 Water Pump and Fan Assembly(Fig. 8)

Ser.No.	Part No.	Name & Specifications	Quantity	Remarks
1	GB/T5783-2000-M8×85	Bolt M8×85	4	
2	GB/T859-1987-8	Washer 8	17	
3	CC490Q-080012	Cooling fan ( φ 380 吸风)	1	
4	N390T-08020 (B)	Fan pad	2	
5	GB/T6170-2000-M10	Nut M10	1	
6	GB/T859-1987-10	Washer 10	1	
7	GB/T97.1-2002-10	Washer 10	1	
8	N390T-08011(A)	Water pump pulley	1	
9	N485T-08012	Water pump pulley housing	1	
10	GB/T5783-2000-M8×25	Bolt M8×25	1	
11	GB/T97.1-2002-8	Washer 8	1	
12	GB/T1099-2003-4×36	Key 4×36	1	
13	GB/T6170-2000-M8	Nut M8	4	
14	N390T-08018C	Bracing	1	
15	GB/T898-1976-M8×50	Stud M8×50	1	
16	N85T-08004E	Water pump housing	1	
17	CZ475Q-170006	Plug	1	
18	N390T-03025A	Stifle	1	
19	N85Q-17003	Thermostat (Model 155B)	1	
20	N85T-08008	Thermostat housing gasket	1	
21	N485Q-17001(R)	Thermostat cover	1	
22	GB/T5783-2000-M8×30	Bolt M8×30	2	
23	N85T-08003	Water seal ring IF-12	1	
24	N85T-08005	Water pump impeller	1	
25	N85T-08009	Water pump gasket	1	

### 38 Water Pump and Fan Assembly (Fig. 8)

Ser.No.	Part No.	Name & Specifications	Quantity	Remarks
26	N85T-08010	Water pump adapter	1	
27	N85T-08017	Water pump adapter gasket	1	
28	GB/T68-2000-M8×16	Screw M8×16	2	
29	GB/T3452.1-2005- 40×3.1	Seal ring 40×3.1	1	
30	GB/T5783-2000-M8×20	Bolt M8×20	2	
31	N85T-08013	Water drain connector	1	
32	N85T-08014	Water drain connector gasket	1	
33	GB/T5782-2000-M8×80	Bolt M8×80	2	
34	N485T-08022	Gasket	1	
35	N485T-08021	Water pipe	1	
36	GB/T5780-2000-M8×45	Bolt M8×45	2	
37	GB/T898-1988-M8×45	Stud M8×45	3	
38	N85T-08006	Water pump shaft	1	
39	GB/T276-1994-6007	Ball bearing 6007	2	
40	N85T-08002	Bearing spacing sleeve	1	
41	GB/T893.2-1986-35	Circlip 35	1	
42	GB12732-2008-AV15×900	Fan belt AV15×900	1	
43	GB12732-2008-AV15×650	Fan belt AV15×650	1	

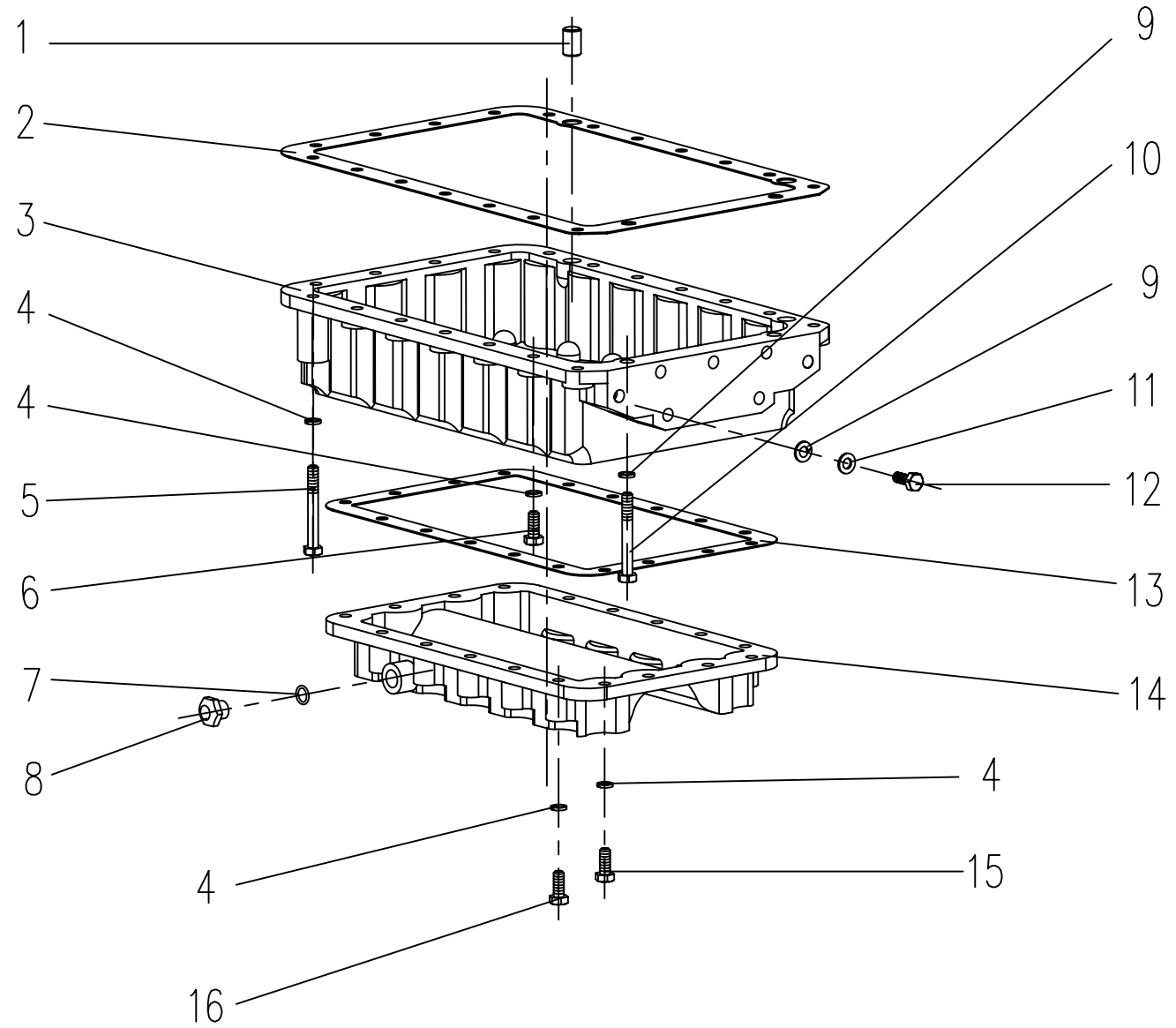


Fig.9 Oil Sump Assembly

### 39 Oil Sump Assembly (Fig. 9)

Ser.No.	Part No.	Name & Specifications	Quantity	Remarks
1	N485T-03110	Dowel pin	2	
2	N390T-11001-1	Oil sump gasket	1	
3	N390T-11004-1	Oil sump	1	
4	GB/T93-1987-8	Washer 8	39	
5	GB/T5782-2000-M8×55	Bolt M8×55	1	
6	GB/T5783-2000-M8×30	Bolt M8×30	17	
7	GB/T3452.1-2005	O Seal ring	2	
8	195-01026	Plug	2	
9	GB/T93-1987-10	Washer 10	6	
10	GB/T5782-2000-M10×30	Bolt M10×30	2	
11	GB/T95-2002-10-100HV	Washer 10-100HV	4	
12	GB/T5783-2000-M10×30	Bolt M10×30	4	
13	N390T-11005-1	Auxiliary oil sump gasket	1	
14	N390T-11006A	Auxiliary oil sump	1	
15	GB/T5783-2000-M8×25	Bolt M8×25	11	
16	GB/T5783-2000-M8×45	Bolt M8×45	10	

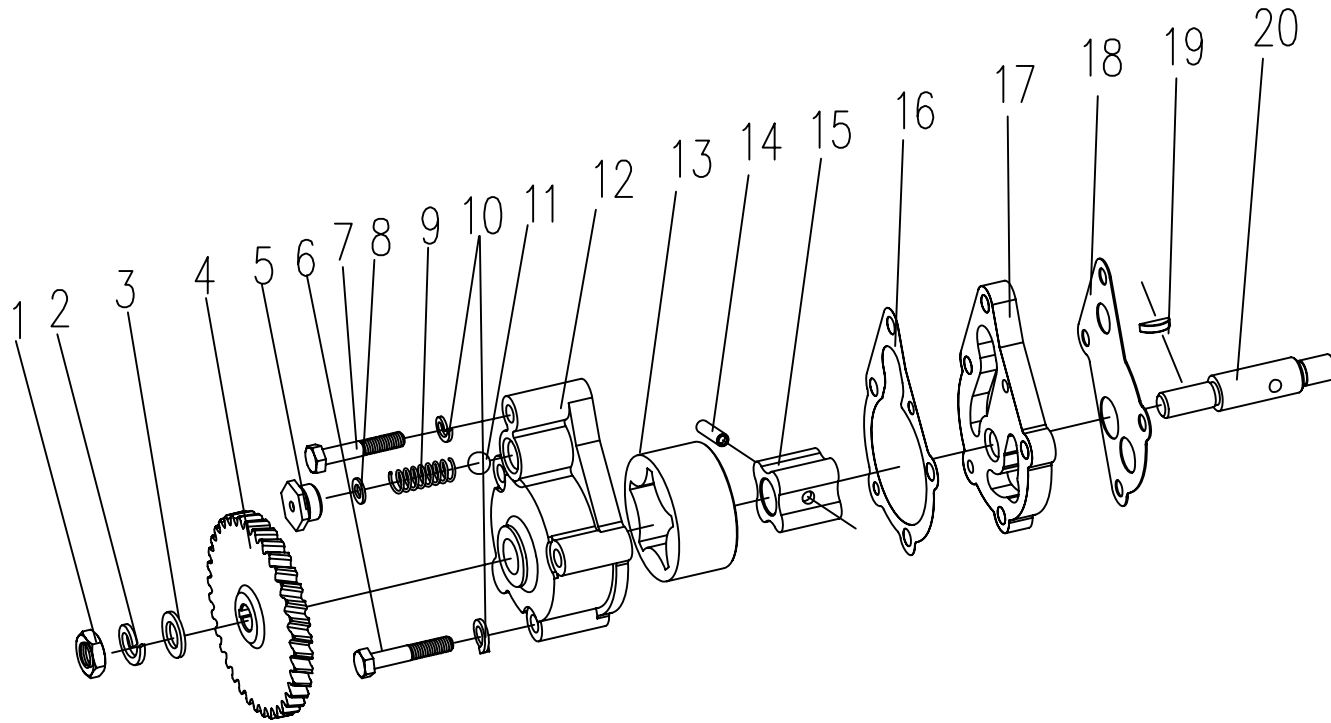


Fig.10 Lubricating Oil Pump Assembly

40 Lubricating Oil Pump Assembly (Fig. 10)

Ser.No.	Part No.	Name & Specifications	Quantity	Remarks
1	GB/T6173-2000-M10×1	Nut M10×1	1	
2	GB/T859-1987-10	Washer 10	1	
3	GB/T848-1985-10	Washer 10	1	
4	N485Q-13007(C)-1	Oil pump gear	1	
5	N85-13006	Pressure-limiting plug	1	
6	GB/T5782-2000-M6×50	Bolt M6×50	3	
7	GB/T5782-2000-M6×55	Bolt M6×55	1	
8	GB/T859-1987-4	Washer 4	4	
9	N85-13005	Pressure-limiting spring	1	
10	GB/T859-1987-6	Washer 6	4	
11	GB/T308-2002	Steel ball	1	
12	N485-13001(A)	Oil pump body	1	
13	N485-13004(A)	Outer rotor	1	
14	N85-13103(A)	Cylindrical pin	1	
15	N485-13102(A)	Inner rotor	1	
16	N485-13008(A)	Adjusting shim	1	
17	N85-13002(A)	Oil pump cover	1	
18	N85-13003	Gasket	1	
19	GB/T1099-1979-3×5×13	Key3×5×13	1	
20	N485-13101(A)	Oil pump shaft	1	

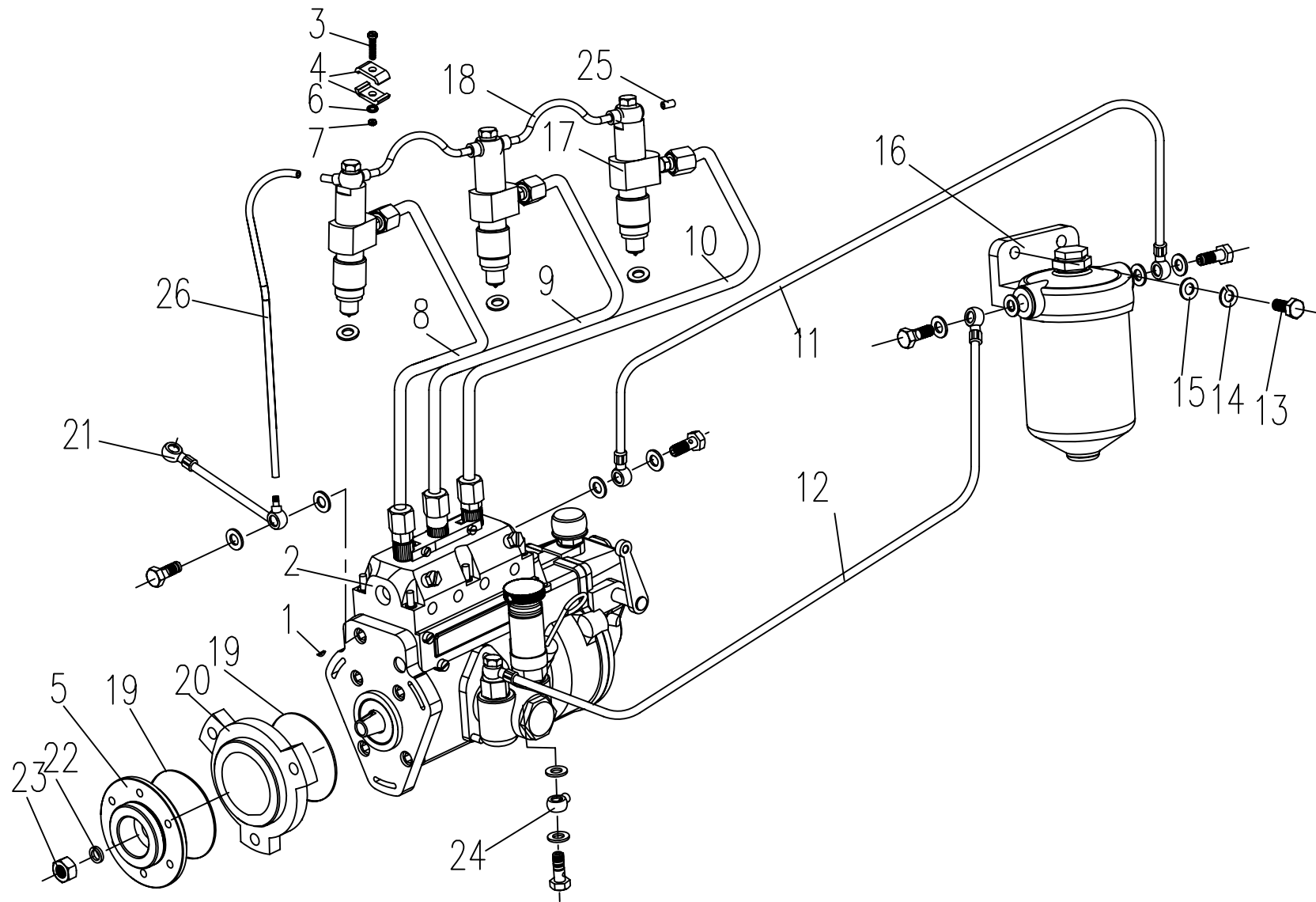


Fig.11 Fuel System

### 41 Fuel System (Fig. 11)

Ser.No.	Part No.	Name & Specifications	Quantity	Remarks
1	GB/T1099.1-2007-3×16	Woodruff 3×16	1	
2	ZN390TE-18001C	Injection pump	1	
3	GB/T65-2000-M5×20	Cylindrical screw M5×20	2	
4	N85-14001	Pipe clip(A)	4	
5	N85-18005	Injection pump timing gear adapter	1	
6	GB/T859-1987-5	Spring washer 5	2	
7	GB/T6170-2000-M5	Nut M5	2	
8	4L68-141000	1 <sup>st</sup> cylinder high pressure fuel pipe	1	
9	4L68-142000	2 <sup>nd</sup> cylinder high pressure fuel pipe	1	
10	4L68-143000	3 <sup>rd</sup> cylinder high pressure fuel pipe	1	
11	N390T-15300E	Fuel filter outlet pipe	1	
12	N485-15400(A)	Fuel feed pump outlet pipe	1	
13	GB/T5782-2000-M8×25	Bolt M8×25	2	
14	GB/T859-1987-8	Washer 8	2	
15	GB/T848-2002-8	Washer 8	2	
16	N485-28000(A)	Fuel filter	1	
17	ZN390TE-25000A	Injector	3	
18	4L68-150002-φ6×2×110	Fuel return pipe φ6×2×110	2	
19	GB/T3452.1-1992-77.6×2.65	Seal ring 77.6×2.65	2	
20	N85-18003A	Injection pump end cover	1	
21	4L68-151000(D)-1	Injector fuel return pipe	1	
22	GB/T93-1987-12	Washer 12	1	
23	GB/T6170-2000-M12	Nut M12	1	
24	N85-15500A	Fuel feed pump inlet connection	1	
25	4L68-150001-3	Injector fuel return cover	1	
26	4L68-150003	Fuel return main pipe	1	



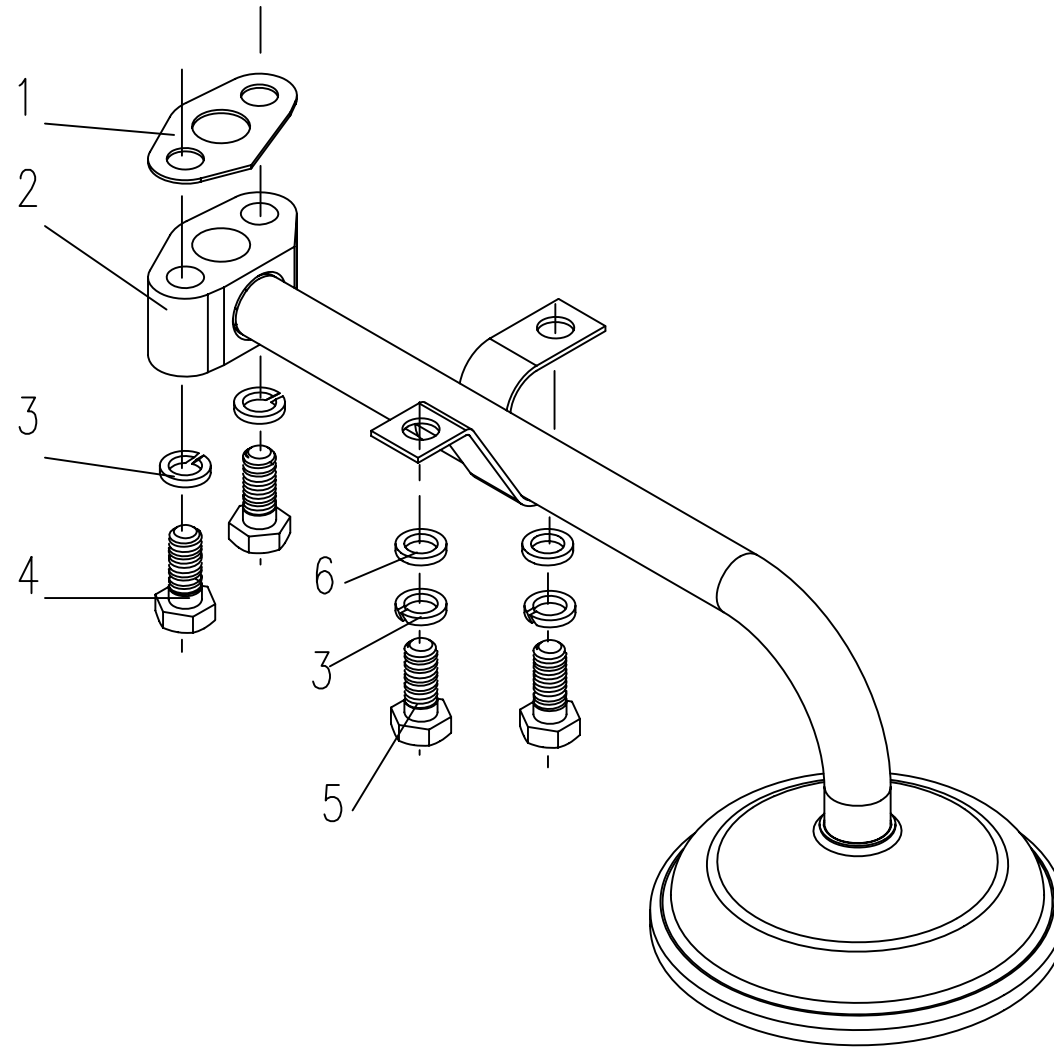


Fig.12 Oil suction Strainer Assembly

42 Oil Suction Strainer Assembly (Fig.12)

Ser.No.	Part No.	Name & Specifications	Quantity	Remarks
1	N390T-16002	Gasket	1	
2	N390T-16000A	Oil suction strainer	1	
3	GB/T859-1987-6	Washer 6	4	
4	GB/T5782-2000- M6×35	Bolt M6×35	2	
5	GB/T5783-2000- M6×16	Bolt M6×16	2	
6	GB/T848-2002-8	Washer 8	2	

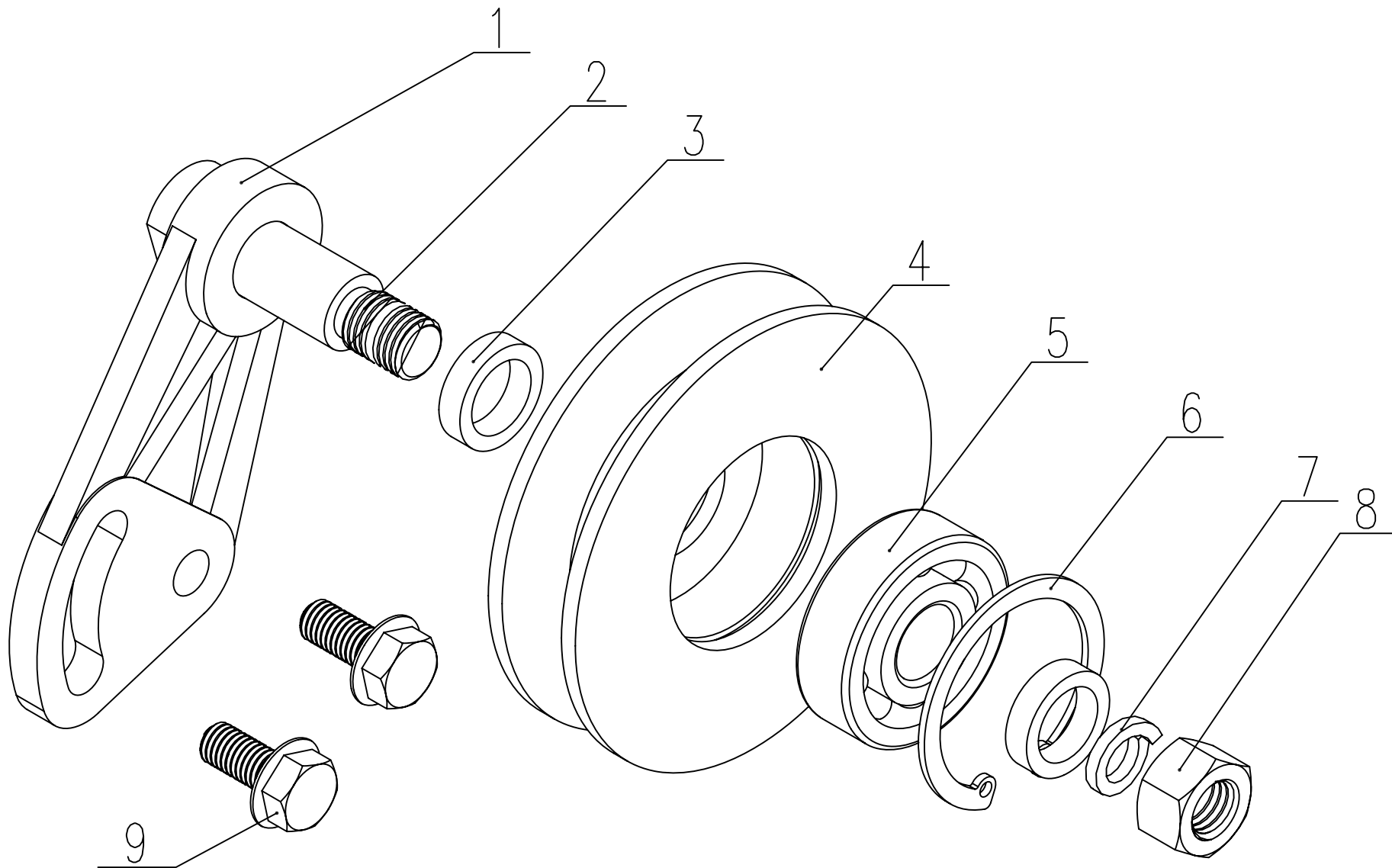


Fig.13 Tension pulley assembly

43 Tension pulley assembly (Fig.13)

Ser.No.	Part No.	Name & Specifications	Quantity	Remarks
1	N390T-21002	Tension pulley bracket	1	
2	N390T-21004	Tension pulley shaft	1	
3	N390T-21003	Bush ring	2	
4	N390T-21001	Tension pulley	1	
5	GB/T276-1994-6302E-2RS	Bearing 6302E-2RS	1	
6	GB/T893.1-86-42	Thrust ring 42	1	
7	GB/T93-1987-12	Washer 12	1	
8	GB/T6170-2000-M12	Nut M12	1	
9	GB/T5789-2000-M8×18	Bolt M8×18	2	

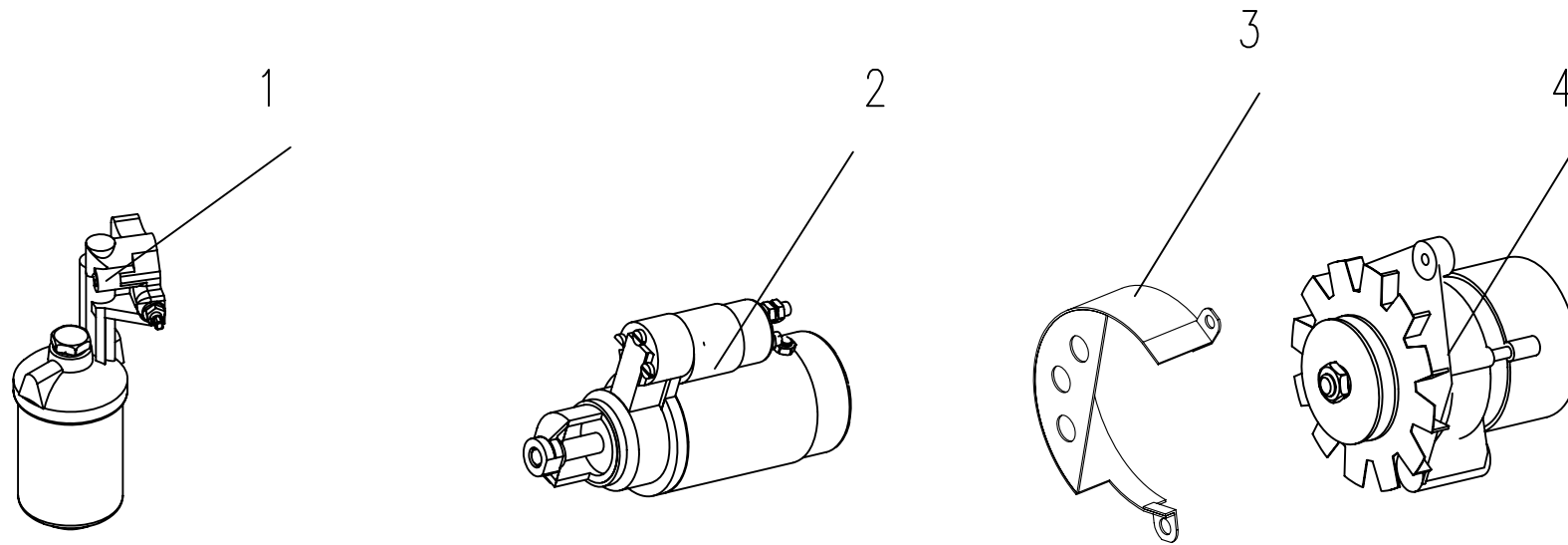


Fig.14 Oil Filter/Generator/Starting Motor

44 Oil Filter/Air Filter/Generator/Starting Motor/Silencer (Fig. 14)

Ser.No.	Part No.	Name & Specifications	Quantity	Remarks
1	N85T-26000	Lubricating oil filter	1	
2	N485-30000(A)	Starting motor	1	
3	N390T-29200B	Dynamo shield	1	
4	N85Q-29000	Charging generator	1	



NO.DF304G2-E-2018EC

Version: NO.00.00.00

First Print: September 2018

CHANGZHOU DONGFENG AGRICULTURAL MACHINERY GROUP CO.,LTD.

Add: No.328, Xinye Road, Xinzha Town,Zhonglou District, Changzhou, Jiangsu, China

Tel:086-0519-83256666

Fax: 0086 519 83261722

Postcode: 213012

E-mail: [sales@df-tractor.com](mailto:sales@df-tractor.com)

[Http://www.df-tractor.com](http://www.df-tractor.com)